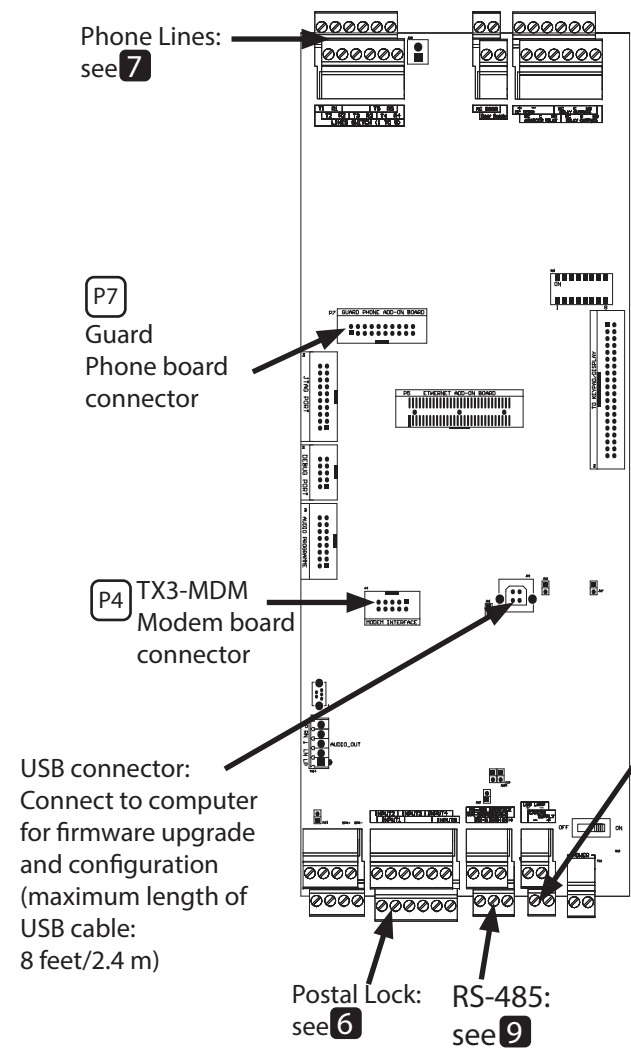
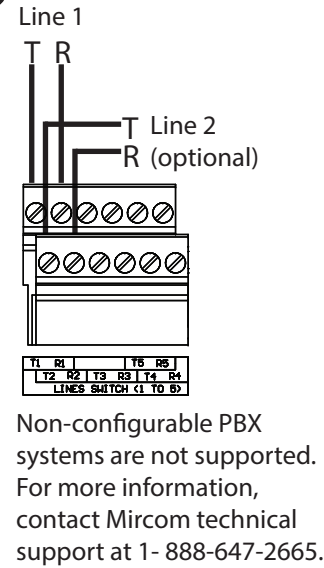




Warning: Turn the power off before wiring.

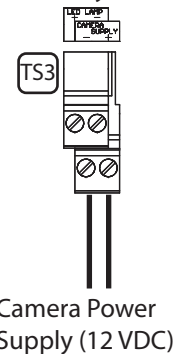


### 7 Phone Lines

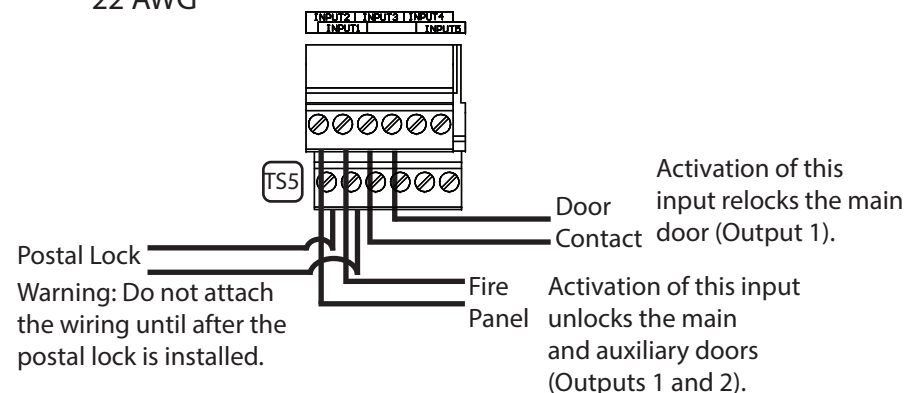


### 8 Camera Supply

Note: Do not use for any other purpose

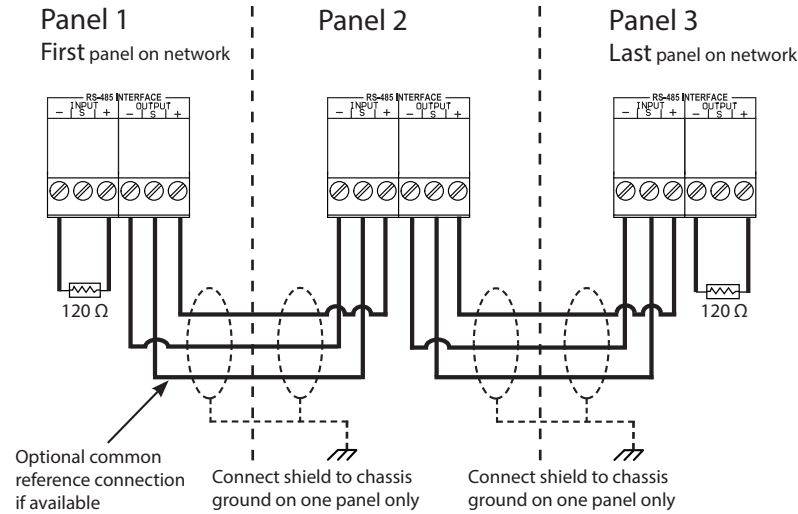


### 6 Postal Lock (Input 1) Fire Alarm Override (Input 2) Door Contact (Input 3) 22 AWG

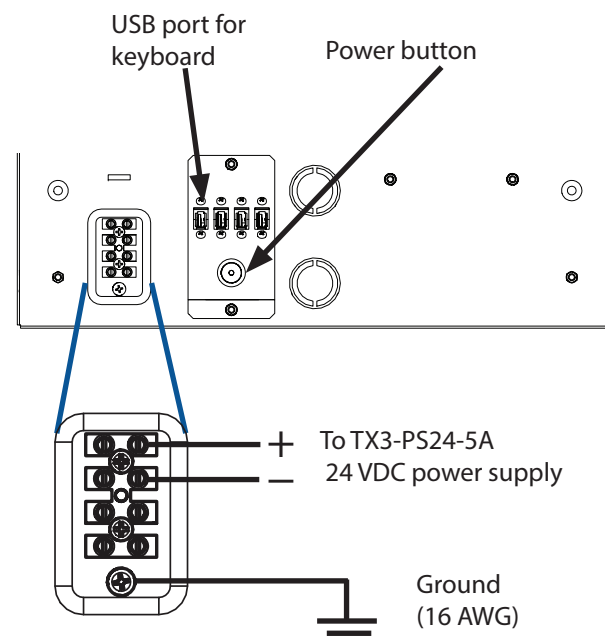


### 9 RS-485

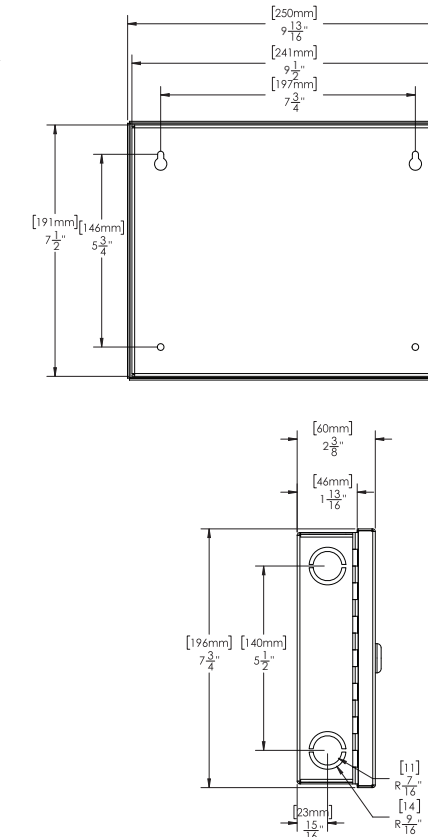
Maximum total length: 4000 ft (1219.2 m) for 22 AWG  
Use twisted shielded pair. See LT-996 for complete details.



### 10 Ground and Power



### 11 Mount the TX3-PS24-5A 24 VDC, 156 W Power Supply



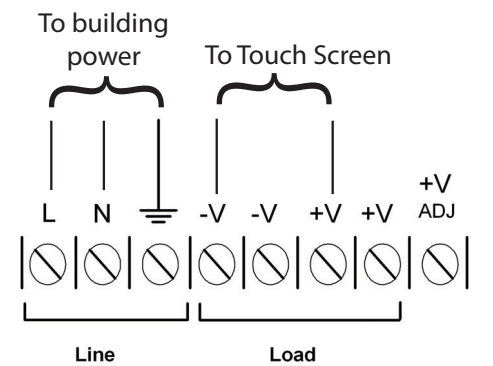
To surface mount the power supply enclosure: You need 4 fasteners appropriate for the wall that you are mounting the enclosure on.

1. Find a suitable location for the power supply enclosure, such as over a wall stud.
2. Using the enclosure as a template, mark the two top mounting hole locations. Ensure that at least one side is over a wall stud.
3. Remove the enclosure and place two wall fasteners halfway into the marked hole locations.
4. Place the enclosure onto the fasteners and lower it so that the fasteners fit in the narrow part of the keyholes.
5. Screw the other two fasteners into the two remaining holes.
6. Tighten all four fasteners into place.

Note: The enclosure can also be mounted directly onto the drywall using anchors.

### 12 Connect the Power

1. Set the voltage selectable switch on the power supply to the appropriate voltage. The voltage selectable switch can be set to either 115 V or 230 V.
2. Connect the load power supply wires to the Touch Screen terminal screws as shown in step 10.
3. Connect the other end of the load power supply wires the **Load** terminals.
4. Connect the building power supply wires to the **Line** terminals as shown below.
5. Turn the power on by pressing the power button.



**WARNING**  
To ensure the security of occupants, change the level 3 passcode from its default setting. See LT-995 on mircom.com for details.

**Mircom**  
<http://www.mircom.com>  
CANADA - Main Office  
25 Interchange Way  
Vaughan, ON L4K 5W3  
Tel: (888) 660-4655  
(905) 660-4655  
U.S.A.  
4575 Witmer Industrial Estates  
Niagara Falls, NY 14305  
Tel: (888) 660-4655  
TECHNICAL SUPPORT  
Tel: 1-888-647-2665