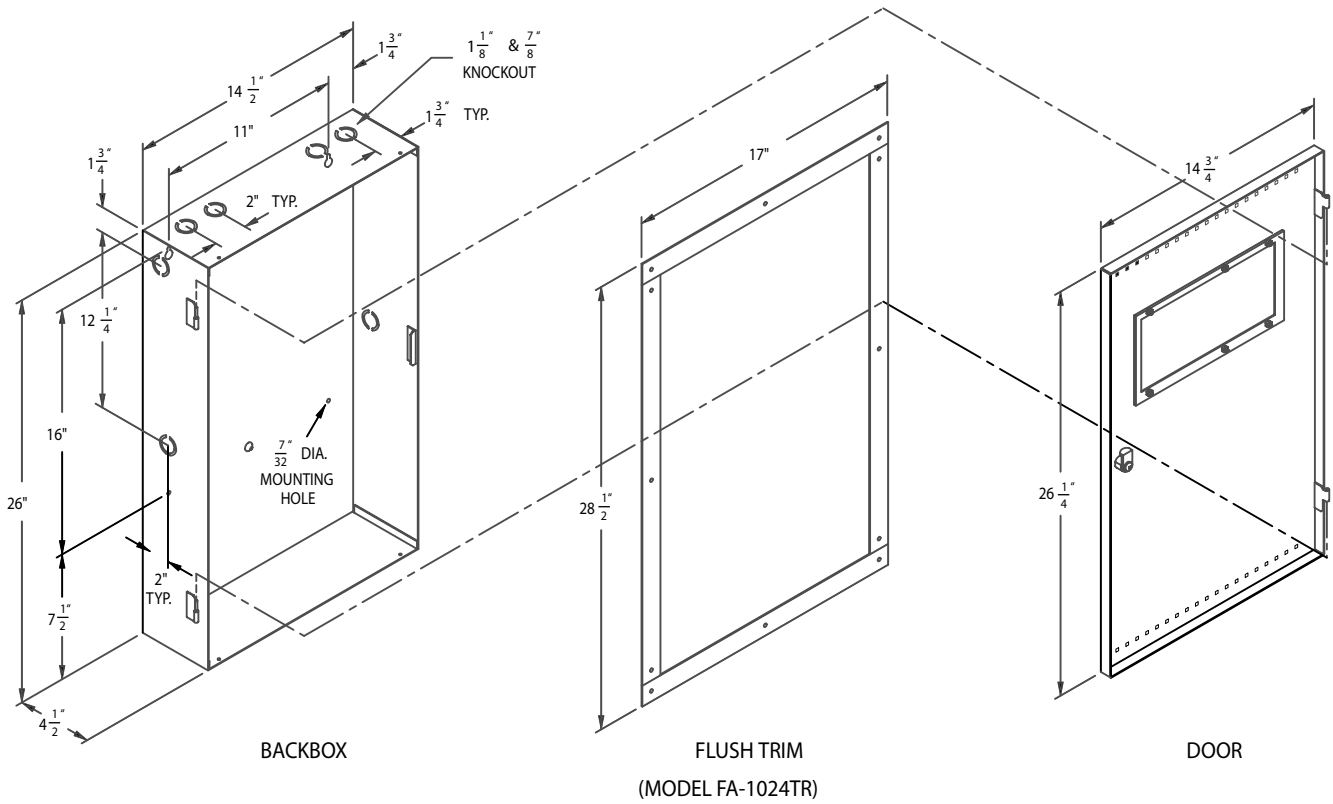
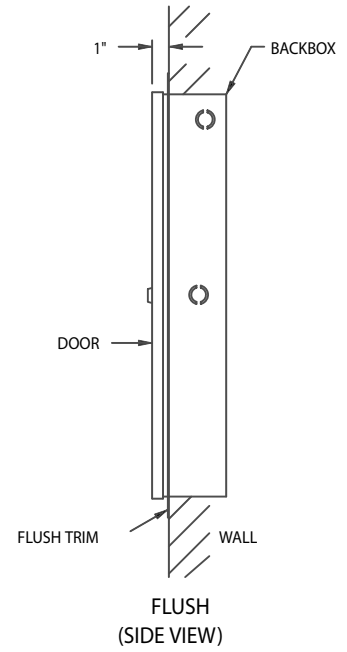
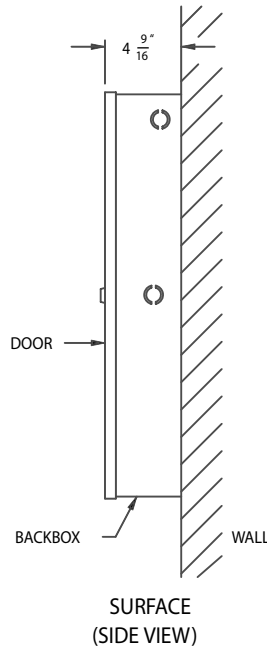


MATERIAL: 18GA (0.048") THICK
 COLD ROLLED STEEL
 FINISH: PAINTED



MODEL BB-1024 ENCLOSURE (SURFACE or FLUSH)
 INSTALLATION INSTRUCTION AND DIMENSIONS