



# TAS 2000 SLIM LINE TYPE ENCLOSURES

## INSTALLATION INSTRUCTIONS

Mount the lobby panel as shown on Figure 1 and Figure 2.

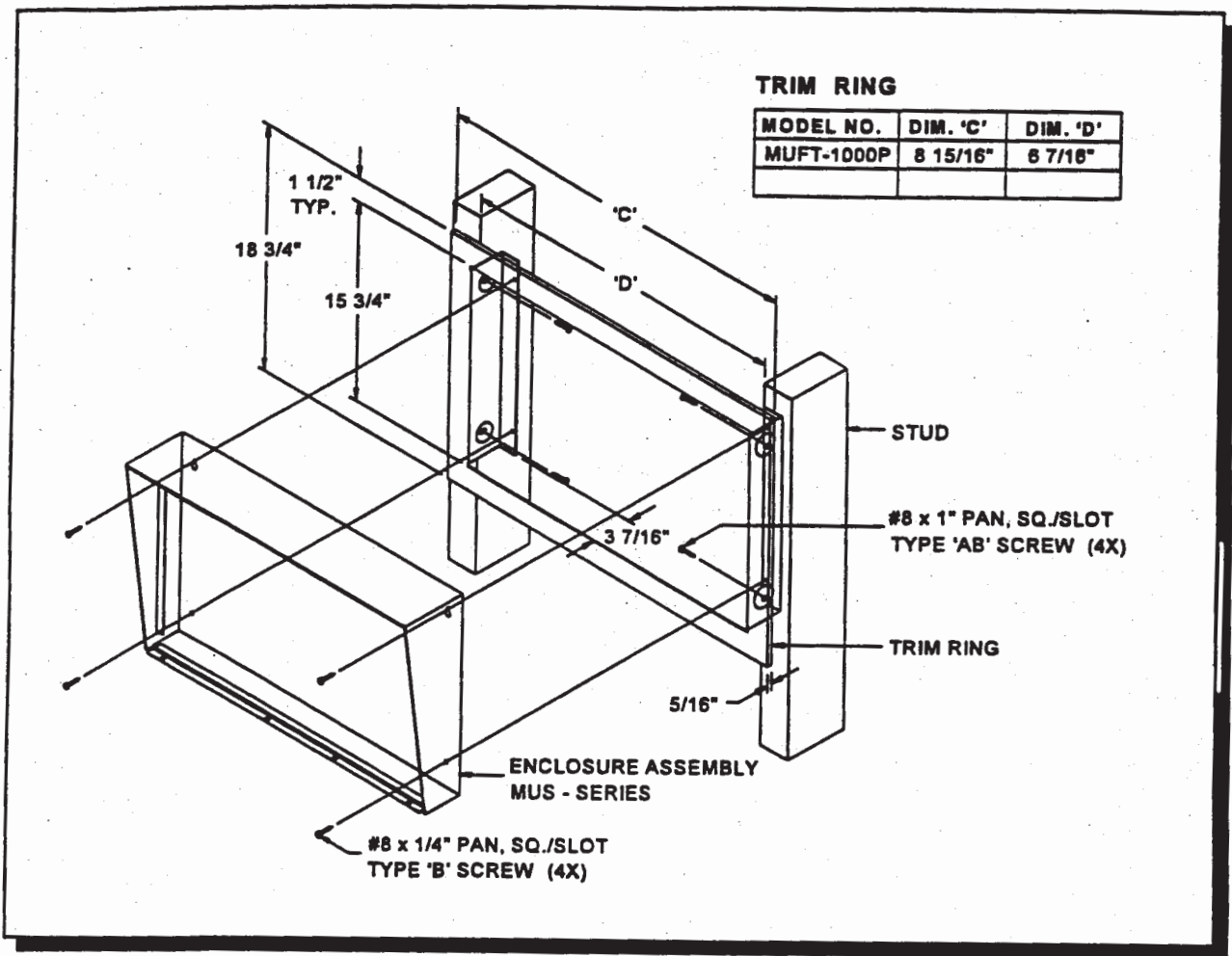
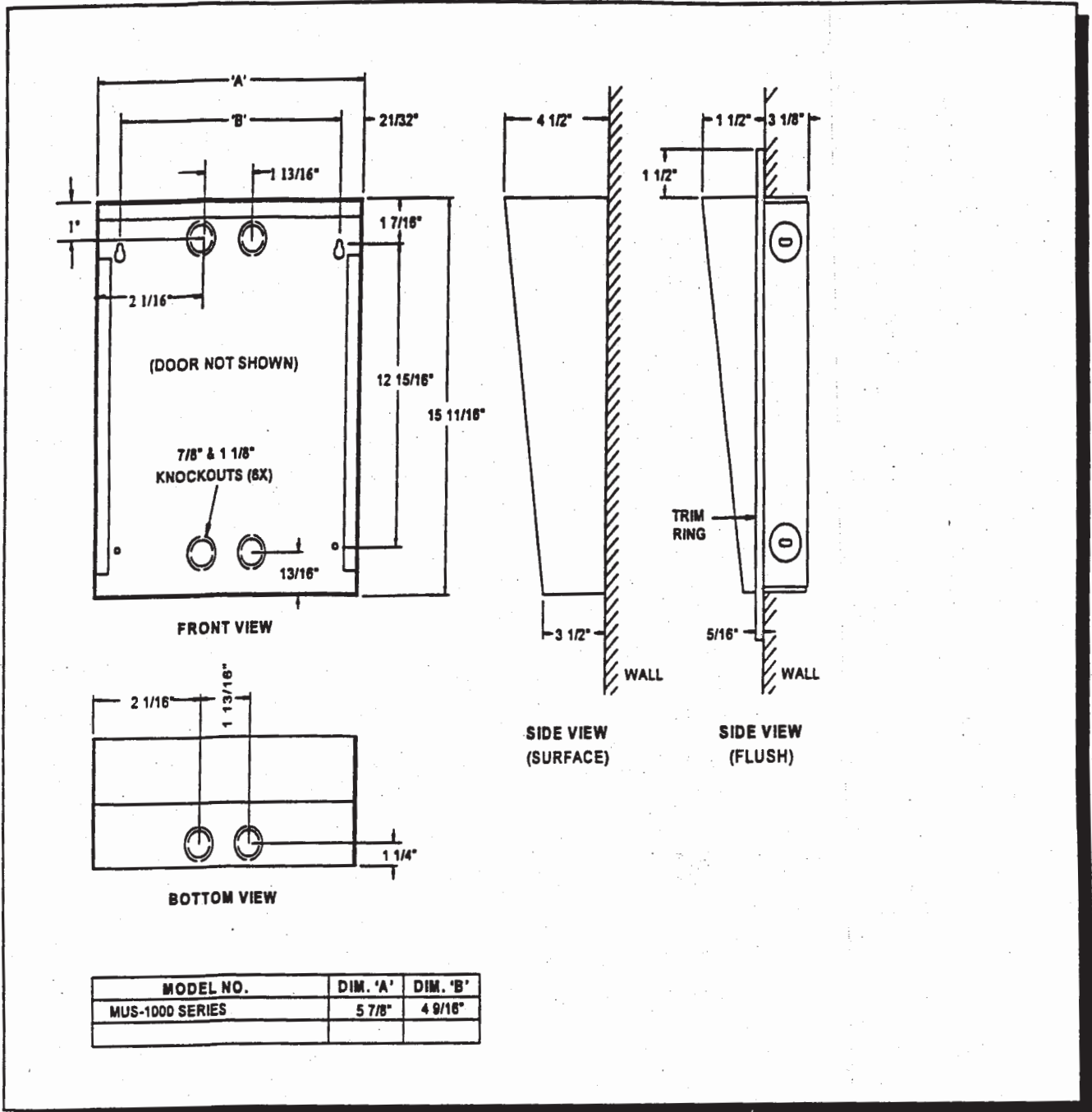


FIGURE 1: SEMI-FLUSH INSTALLATION  
NOTE: THIS DRAWING IS NOT DRAWN TO SCALE

**FIGURE 2: PANEL INSTALLATION**



**NOTE: THIS DRAWING IS NOT DRAWN TO SCALE**  
 For complete installation information, please see TAS 2000 SERIES Manual LT-646

**Head Office:**

**MIRCOM Technologies Ltd.**  
 25 Interchange Way  
 Vaughan, Ontario  
 Canada L4K 5W3