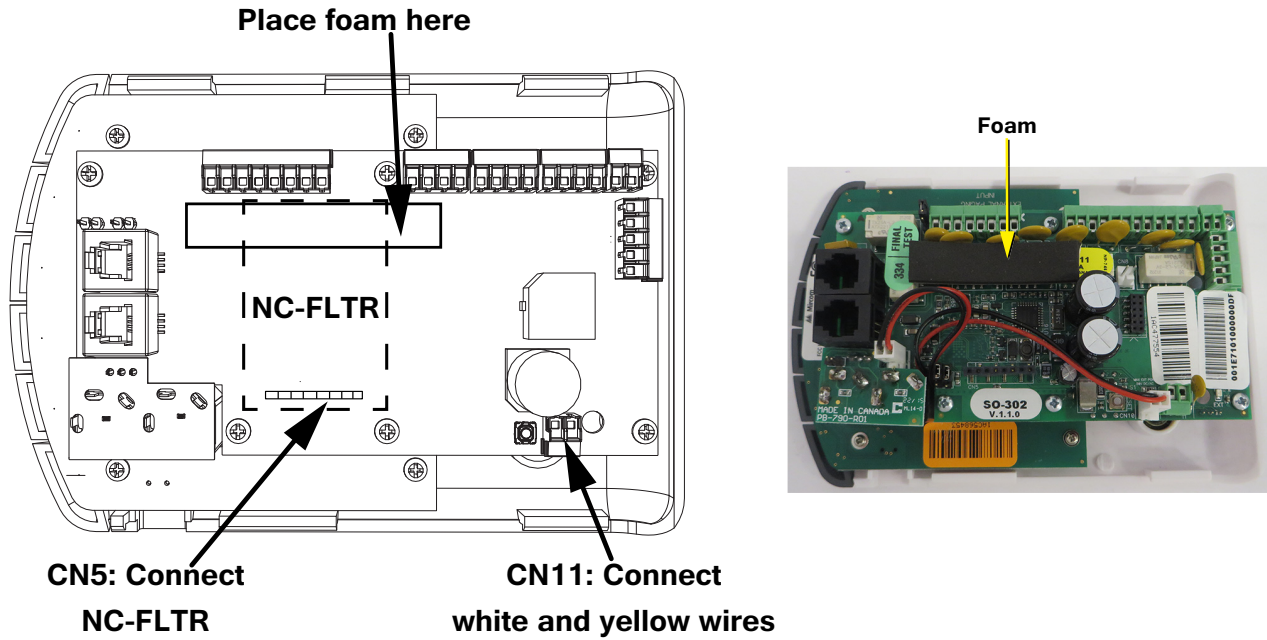


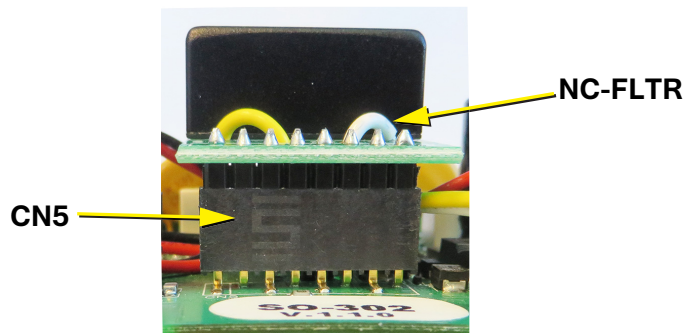
1.0 Installing NC-FLTR

Install NC-FLTR when you are using phone lines with the patient unit. NC-FLTR provides ground isolation for patient units, which improves phone line communication.

1.1 Remove the backing tape from the foam and attach it



1.2 Connect the pins on NC-FLTR to CN5 on the Patient Unit



1.3 Connect the white and yellow wires to CN11

1.4 Connect the black and red wires to a 24 V power supply using the twist-on connectors



Attention: You must connect NC-FLTR to a 24 V power supply.

Pay attention to the polarity. Red is positive and black is negative.

