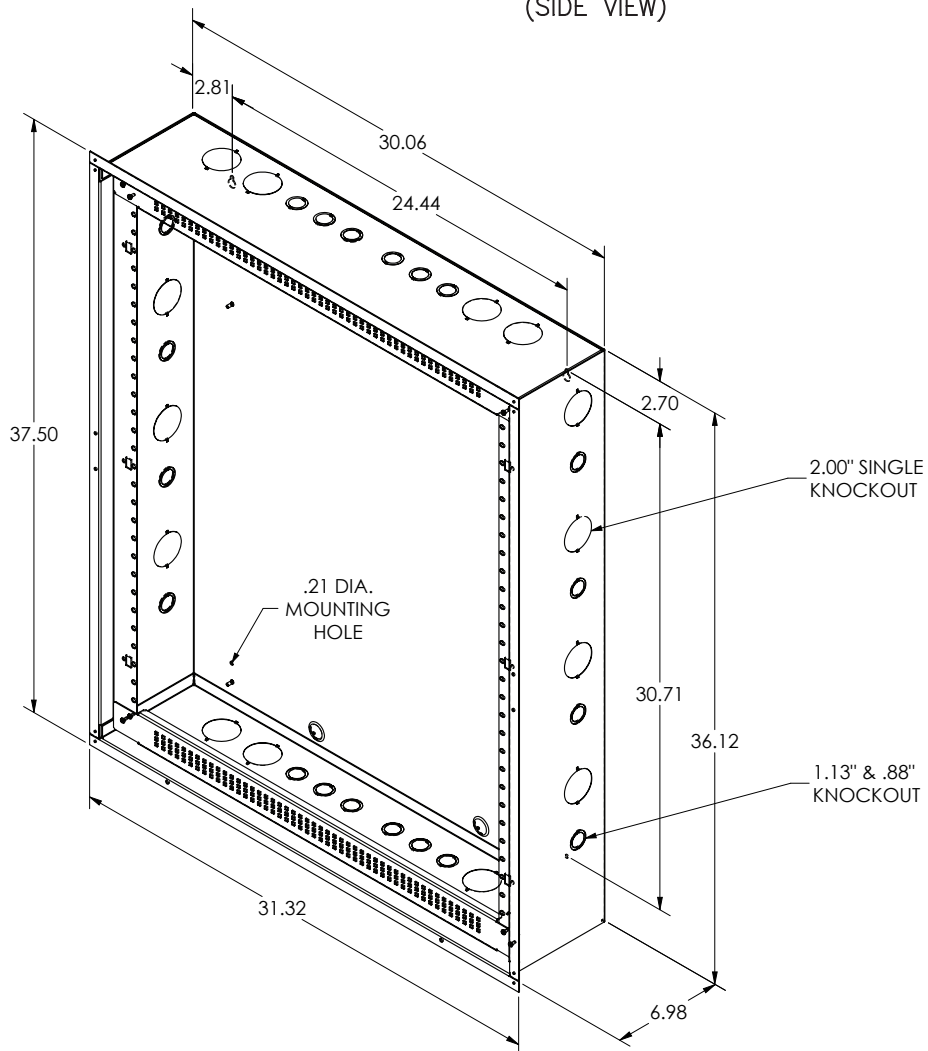
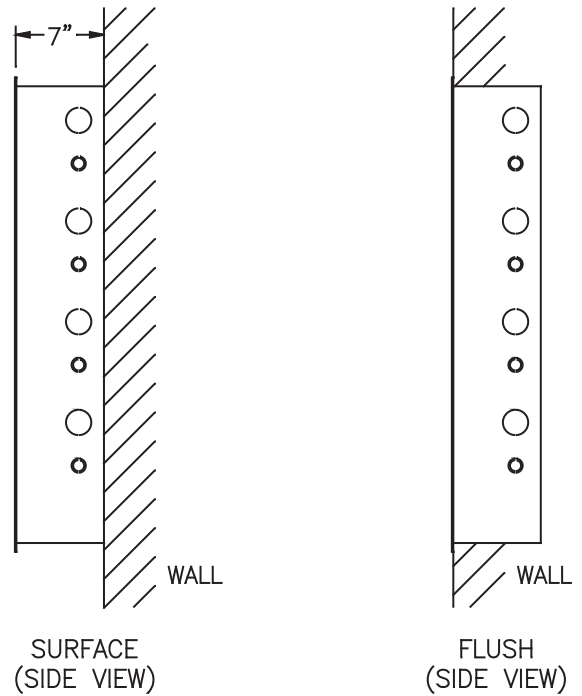


NOTES

1. MATERIAL: 16GA (0.059") COLD ROLLED STEEL
2. FINISH: PAINTED
3. ALLOW 4" GAP BETWEEN FLANGES OF THE BACKBOXES WHEN INSTALLING SIDE BY SIDE.
4. DOOR IS NOT SHOWN.
FOR ALUMINUM DOOR (DOX-5008A), SEE LT-664.
FOR STEEL DOOR (DOX-5008M), SEE LT-665.



Lobby Control Center Backbox (Model: BB-5008)
Installation Instruction and Dimensions