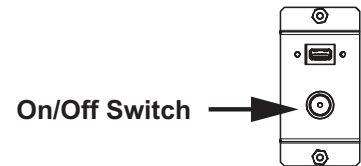


Replacement Display for TX3-TOUCH-S15B-WR and TX3-TOUCH-S15S-WR

A. Shut down the Touch Screen

1. Press the On/Off switch located at the bottom of the inner chassis.
2. After the TX3 Configurator and Windows have finished shutting down, disconnect power from the Touch Screen.



Remove the old display

1. Disconnect the cables from the current display.
2. Unscrew the 8 nuts that hold the display assembly to the door. See Figure 1.

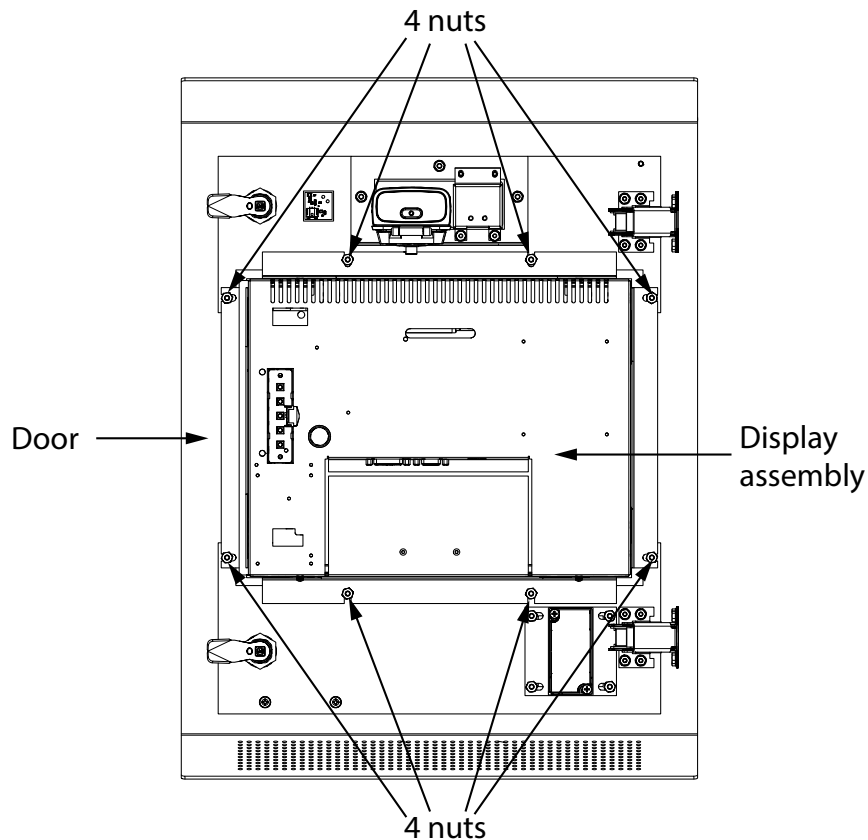


Figure 1 Display on door (back view)

3. Unscrew the 8 screws that hold the 4 brackets to the display. See Figure 2.

Attach the new display

1. Secure the new display to the brackets with the 8 screws. See Figure 2.

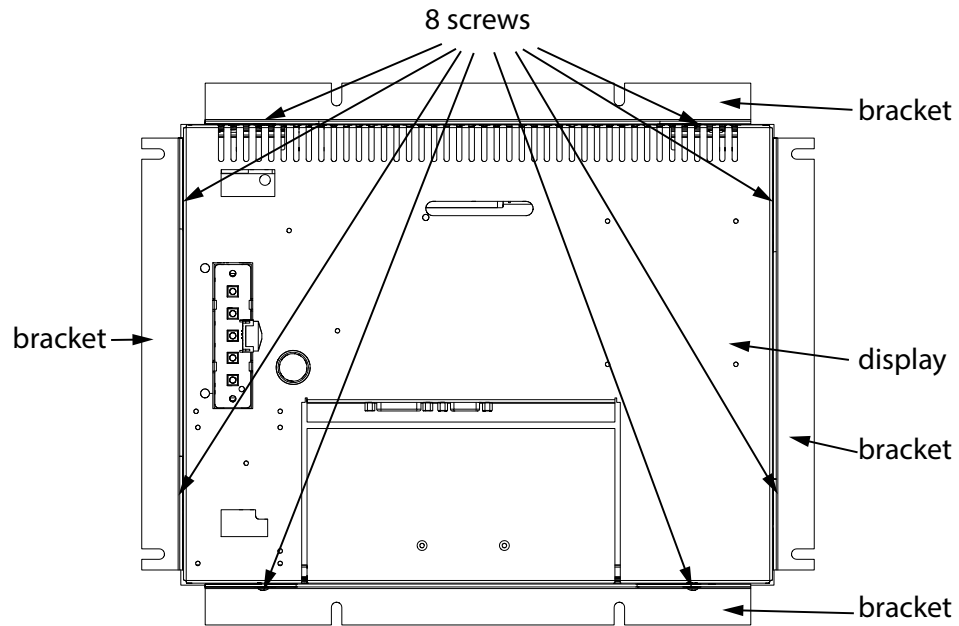


Figure 2 Display assembly (back view)

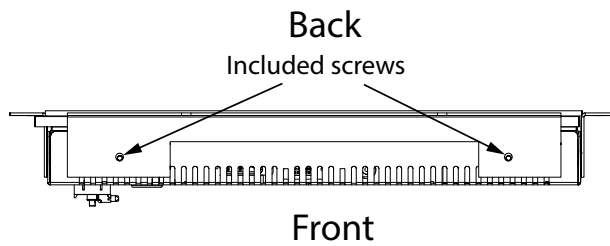


Figure 3 Display assembly from above

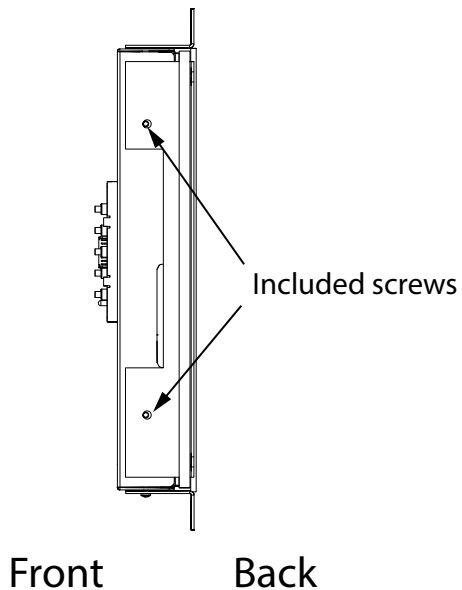


Figure 4 Display assembly side view

2. Attach the new display to the door with the 8 nuts. See Figure 5.

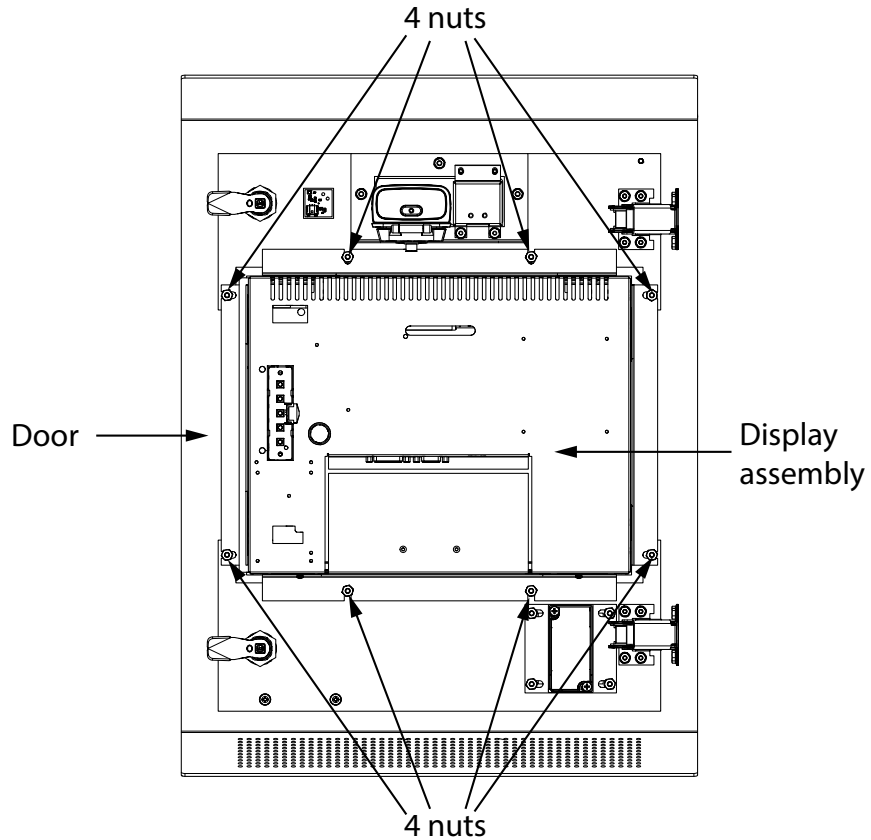


Figure 5 Display on door (back view)

1. Connect all the cables to the new display.
2. Turn on the Touch Screen.

You are done! If you need more help, call us at 1-888-660-4655.