

Replacement Card Reader Window and Camera Window for TX3-TOUCH-S15B-WR and TX3-TOUCH-S15S-WR

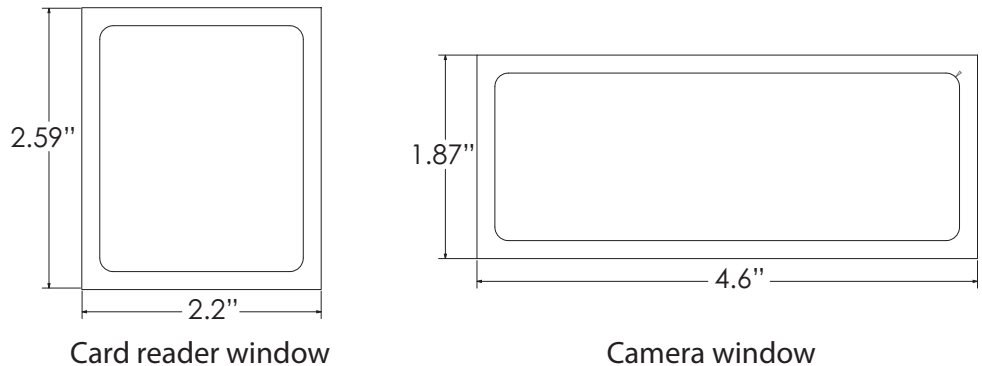


Figure 1 Card reader window and camera window dimensions

Card Reader Window Replacement

A. Disconnect the Power

B. Remove the Card Reader Assembly

Remove the card reader, the metal bracket, and the plastic plate.

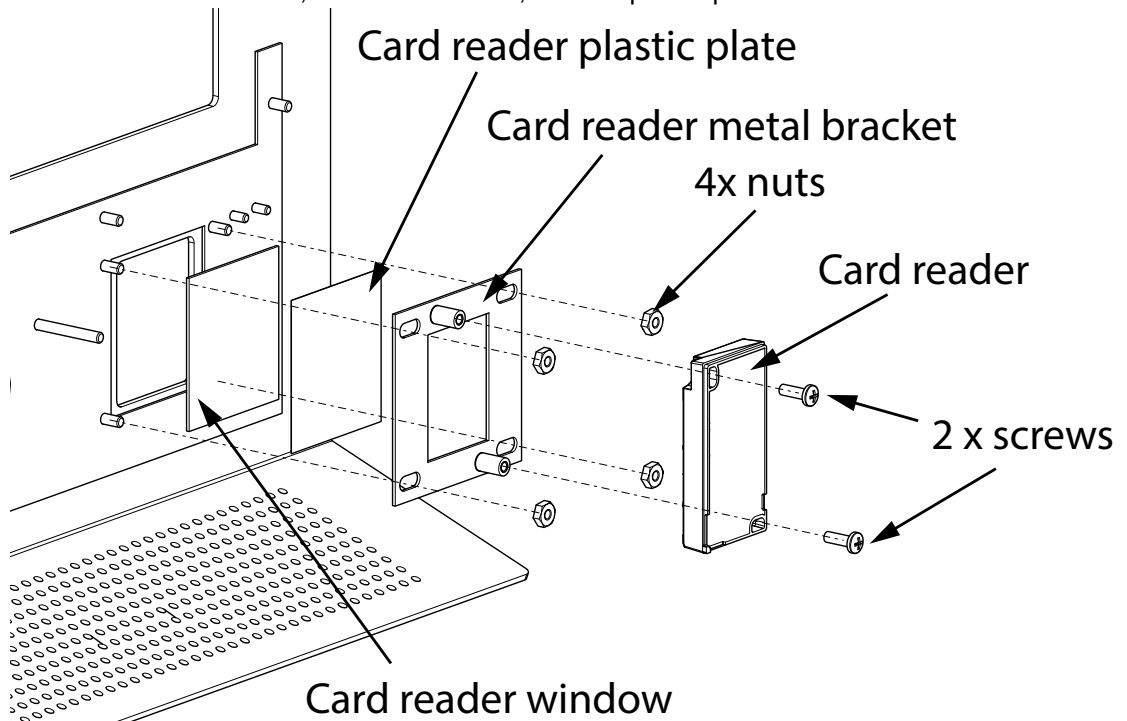


Figure 2 Parts of the card reader assembly

C. Replace the Card Reader Window

D. Replace the Card Reader Assembly

Replace the plastic plate, the metal bracket, and the card reader as shown in Figure 2.

You are done! If you need more help, call us at 1-888-660-4655.

Camera Window Replacement

A. Disconnect the Power

B. Remove the Camera Assembly

Remove the 3 nuts and the camera assembly.

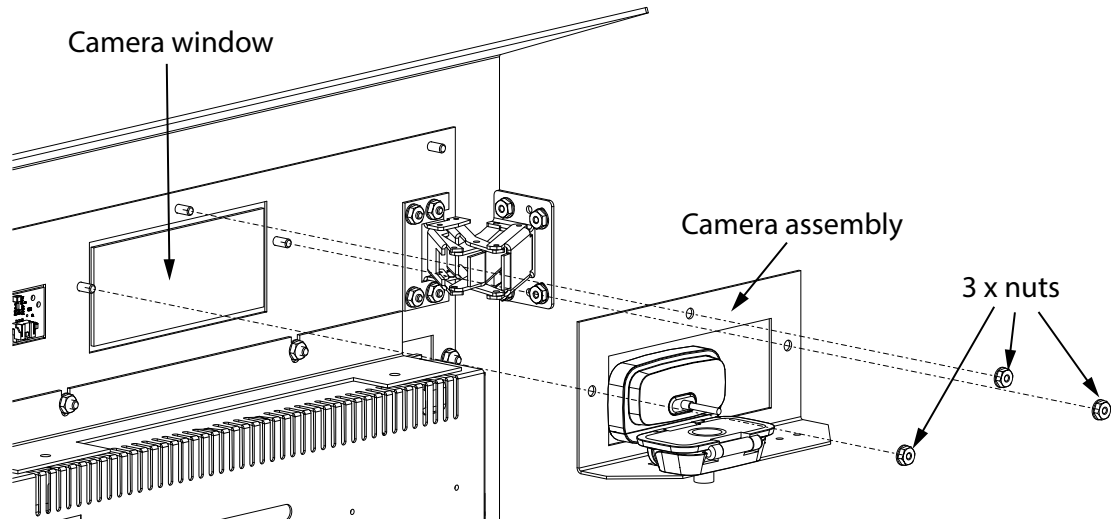


Figure 3 Parts of the card reader assembly

C. Replace the Camera Window

D. Replace the Camera Assembly

Replace the camera assembly as shown in Figure 3.

You are done! If you need more help, call us at 1-888-660-4655.