

Mircom's MS-400MP(U) Series Fire Alarm Manual Stations provide manual fire alarm activation. These high quality, extruded aluminum stations are available as one stage or two stage stations. On the two stage model, a keyswitch allows the activation of the stage two alarm. Each station has a permanently attached MP (Mircom Protocol) addressable module which is configured with a tool (see LT-6146 MIX-4090 Device Programmer for instructions).

## Specifications & Dimensions

Compatible with Mircom Fire Alarm Control Panels

Electrical Rating:

- Nominal Operating Voltage: 15-30 VDC
- Maximum alarm current: 3.3 mA
- Standby current: 2 mA

Dimensions of aluminum body:

- 4.525" H x 3.3" W x 0.762" D

### Notes

- Wire as shown so that supervision of connections is maintained.
- Maximum wire size: 12 AWG
- All manual fire alarm stations shall be installed as per the specific requirements outlined in the UL/ULC codes, as well as all other applicable national or local codes.
- Final acceptance is subject to the local authority having jurisdiction.

## Installing the manual station

This guide covers these models:

- MS-401MP(U) Intelligent Single Stage Manual Station MP
- MS-402MP Intelligent Two Stage Manual Station MP
- MS-407MP(U) Intelligent Single Stage Manual Station MP with additional N.C. switch

The suffix **U** indicates a USA version.

### Contents of kit

- MS-401MP(U), MS-407MP(U): 2 mounting screws
- MS-402MP: 2 mounting screws, 2 stage two keys

### Sold separately

- Plastic rod or break glass (Mircom part number GL-004K)

Canada  
25 Interchange Way  
Vaughan, ON L4K 5W3  
Tel: 1-888-647-2665

U.S.A  
4575 Witmer Industrial Estates  
Niagara Falls, NY 14305  
Tel: 1-888-647-2665

### A. Wiring

**Note:** The maximum wire size is 12 AWG.

1. Connect the black (-) wire from the previous station to the terminal that is connected to the black (-) wire from the addressable module.
2. Connect the black (-) wire leading the next station to the other side of the terminal that is connected to the black (-) wire from the addressable module.

**Note:** The wires must be on opposite sides of the set screw. Refer to Figure 2 for the location of the wires.

3. Tighten the (-) terminal.
4. Connect the red (+) wire from the previous station to the terminal that is connected to the red (+) wire from the addressable module.
5. Connect the red (+) wire leading to the next station to the other side of the terminal that is connected to the red (+) wire from the addressable module.

**Note:** The wires must be on opposite sides of the set screw. Refer to Figure 2 for the location of the wires.

6. Tighten the (+) terminal.

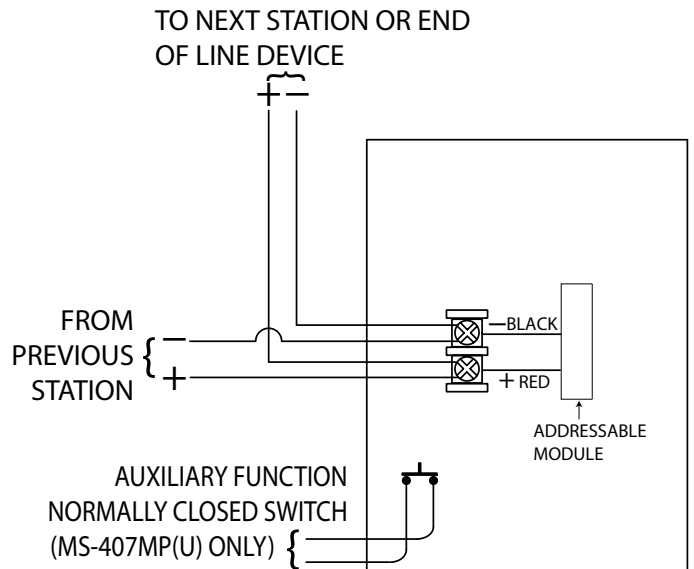


Figure 1: Wiring Diagram

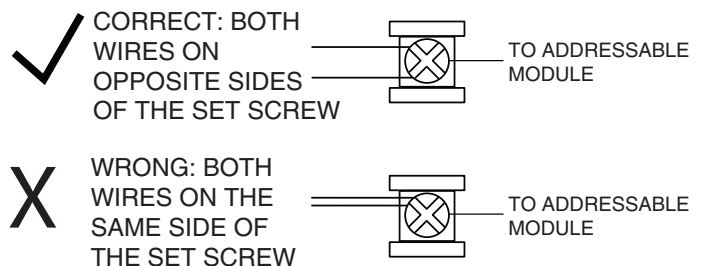


Figure 2: Close-up of terminals showing correct wiring

### B. Setting the addressable module

Follow the instructions in LT-6146 MIX-4090 Device Programmer. The factory default address is 255.

### C. Mounting

1. Pull down the handle so that the station is open.
2. Mount the station to a surface mounted box with the 2 included screws. Refer to Figure 3.
3. Close the station. Follow the instructions under **Resetting the manual station** on this page.

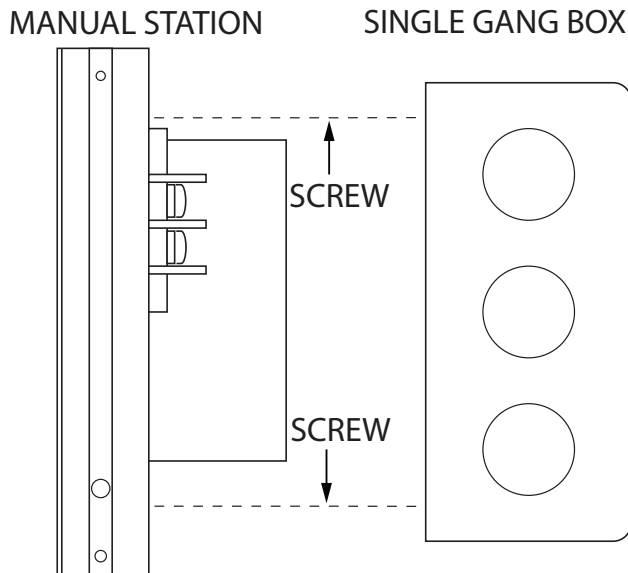


Figure 3: Mounting the manual station

## Using the manual station in case of fire

### Activating the alarm

- Pull down the handle.
- The handle is now hanging down. A qualified person must reset the station. See **Resetting the manual station**.

### Activating the stage two alarm (MS-402MP only)

1. Insert the stage two key into the keyhole inside the station, and then turn the key. This keyhole is accessible only after the alarm handle has been pulled.

The stage two alarm activates immediately.

**Note:** The stage two alarm will activate automatically a certain amount of time after the handle has been pulled if no action is taken. This time is set in the Fire Alarm Control Panel.

### Resetting the manual station

**Note:** Resetting the station does not cancel the alarm at the panel.

1. Insert a small flathead screwdriver into the hole in the front of the handle. Make sure that the end of the screwdriver is resting on top of the latch inside the station. The screwdriver must push down this latch order for the handle to close.
2. Close the handle and at the same time, move the handle of the screwdriver up. See Figure 4.

As you close the handle, the screwdriver acts as a lever to push the latch down, allowing the handle to close.

You will hear a click when the handle is closed and the station is reset.

3. Insert the plastic rod (break glass) into the hole on the right side. See Figure 4.
4. Reset the Fire Alarm Control Panel to cancel the alarm.

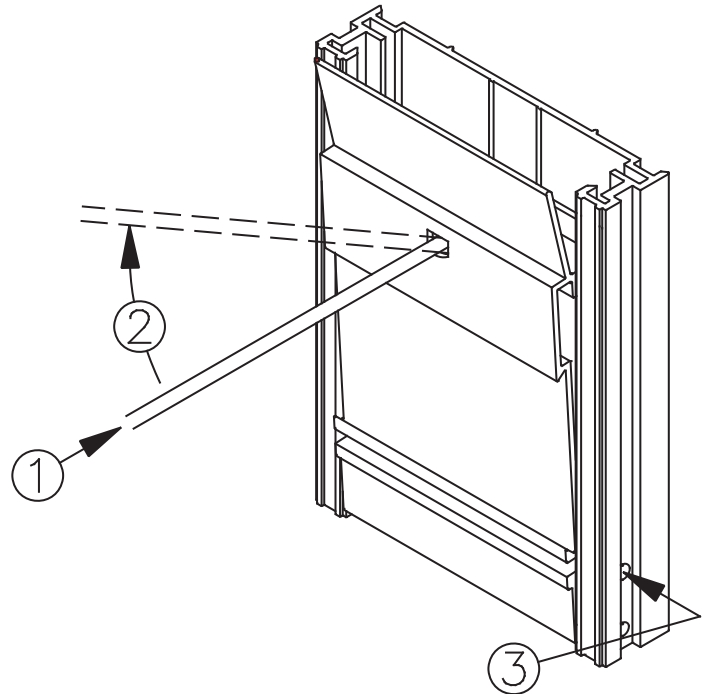


Figure 4: Resetting the manual station