

1 TX3-PS24-5A Voltage Selection

In no event shall Mircom be liable for any direct, indirect or consequential damages, loss of anticipated profits, loss of time or any other losses incurred by the buyer in connection with the purchase, installation or operation or failure of this product.

Attention: Mircom recommends that the entire system be completely tested on a regular basis. However, despite frequent testing, and due to but not limited to criminal tampering or electrical disruption, it is possible for this product to fail to perform as expected.

To set the voltage

There is a voltage selection switch on the side of the TX3-PS24-5A that can be set to either 230 Volts or 115 Volts. Follow these instructions to set the voltage.

1. Disconnect all power from the Switching Power Supply.



Attention: The power must be turned off before the TX3-PS24-5A enclosure is opened. Failure to do so may result in damage to the equipment or electric shock that can lead to death.

2. Open the TX3-PS24-5A box using the included key. The Switching Power Supply unit is secured inside the box by metal guides and two screws on either side of the terminal block. Unscrew and remove the screws on both sides of the terminal block.

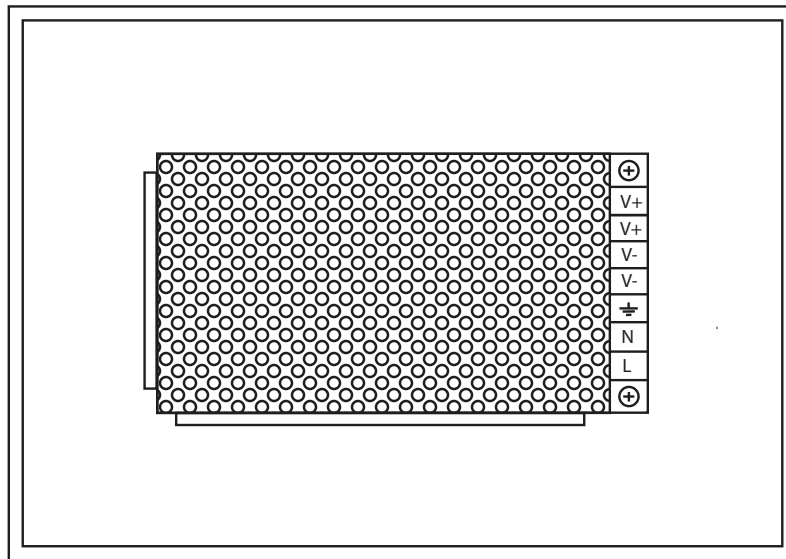


Figure 1. Inside the TX3-PS24-5A

3. Lift the Switching Power Supply unit out of its box to access the red voltage selection switch.
4. Switch the voltage selection switch to the required voltage level. Place a slot screwdriver in between one of the holes in the chassis to access the switch. By default it is set to 115 Volts.

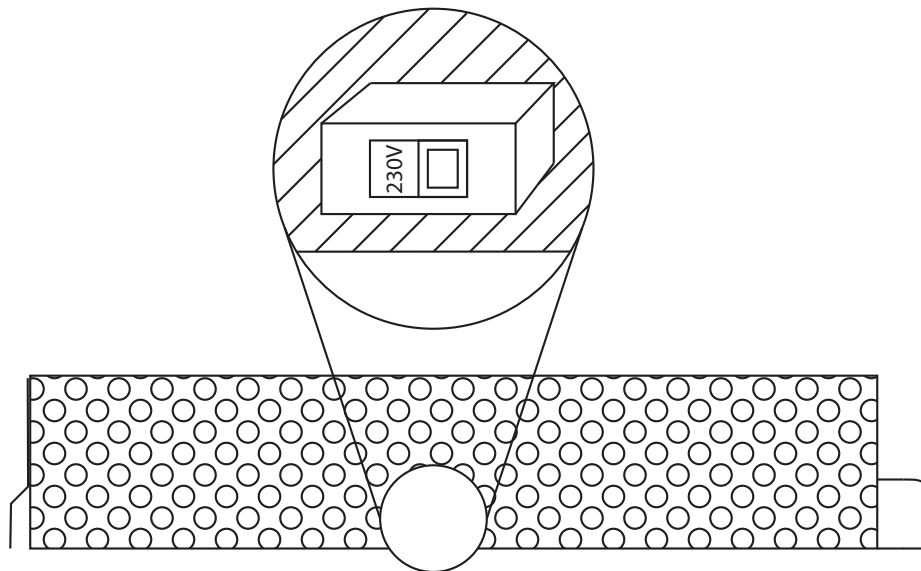


Figure 2. TX3-PS24-5A Voltage Selection Switch

5. Place the Switching Power Supply back into the box using the metal guides to position it and then replace the screws on both sides of the terminal block to secure it into the box.

2 TX3-PS24-5A Wiring

1. Connect the included AC power cable to the **L**, **N** and **Ground** terminals as shown in Figure 3.
2. Connect the TX3-PS24-5A to your device according to the manual for your device.

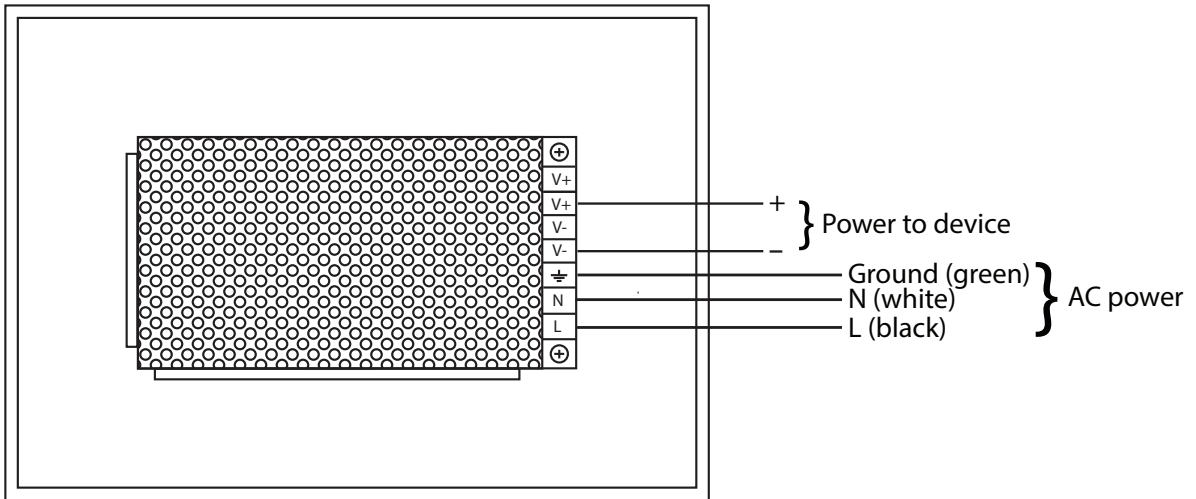


Figure 3. TX3-PS24-5A Wiring

3 TX3-PS24-5A Installation

The Touch Screen TX3-PS24-5A external power supply is a 156 W, 24 V single output switching power supply inside a metal enclosure.

Attention: See section 1 on page 1 for instructions on how set change the voltage to either 230 Volts or 115 Volts.

Overall dimensions: height: 7 23/32" (196 mm),
width: 9 53/64" (250 mm), depth: 2 37/64" (66 mm)

Knockout dimensions: 1 1/8" (29 mm) and 7/8" (22 mm)

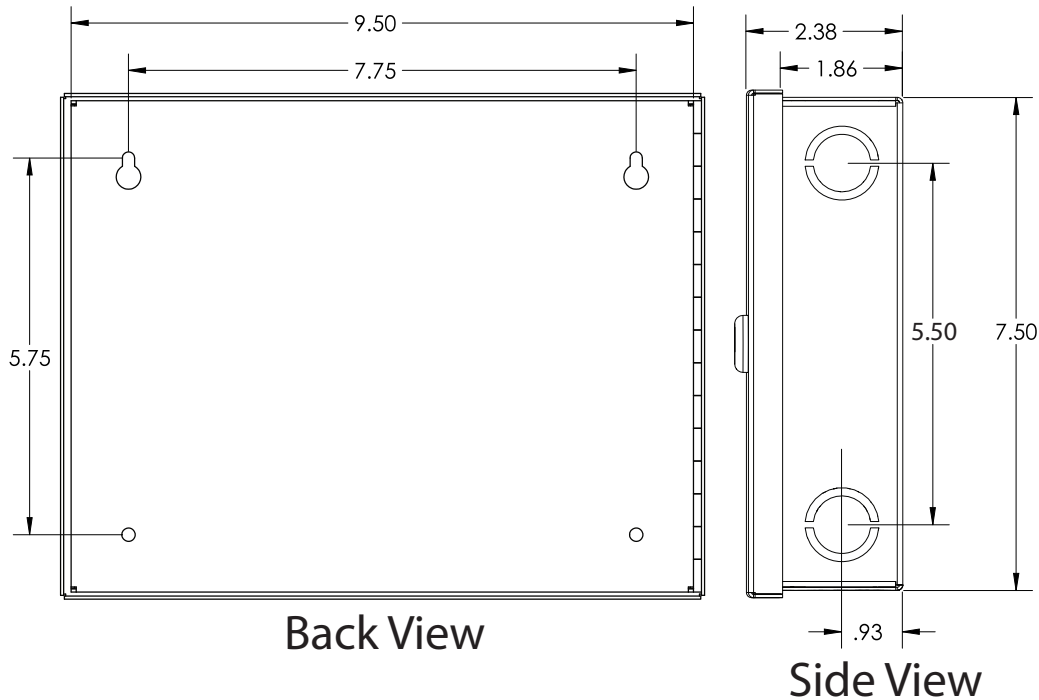


Figure 4. TX3-PS24-5A Enclosure Dimensions

To surface mount TX3-PS24-5A

You need 4 fasteners appropriate for the wall that you are mounting the enclosure on.

1. Find a suitable location for the power supply enclosure, such as over a wall stud.
2. Using the enclosure as a template, mark the two top mounting hole locations as indicated in Figure 4. Ensure that at least one side is over a wall stud.
3. Remove the enclosure and place two wall fasteners halfway into the marked hole locations.
4. Place the enclosure onto the fasteners and lower it so that the fasteners fit in the narrow part of the keyholes.
5. Screw the other two fasteners into the two remaining holes.
6. Tighten all four fasteners into place.

Note: The enclosure can also be mounted directly onto the drywall using anchors.
