

TX3-TOUCH-F15-MB Installation Instructions

Parts List

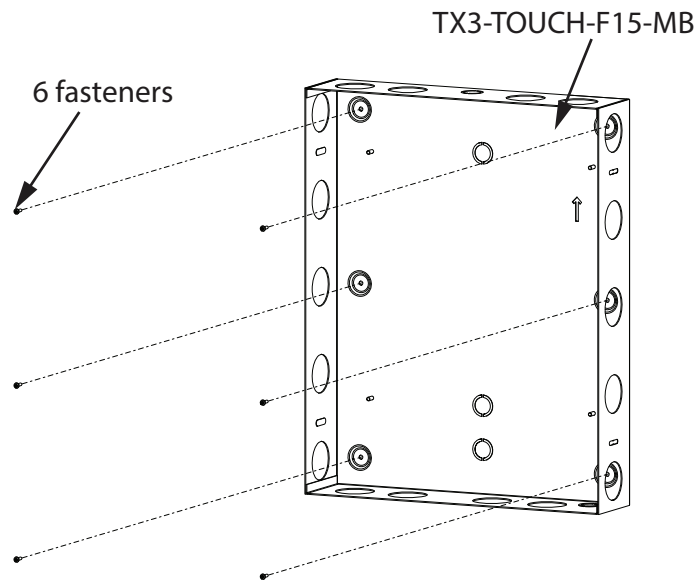
- Qty 1 ... TX3-TOUCH-F15-MB mounting box for TX3-TOUCH-F15-C and TX3-TOUCH-F15-D
- Qty 4 ... nuts

You will need:

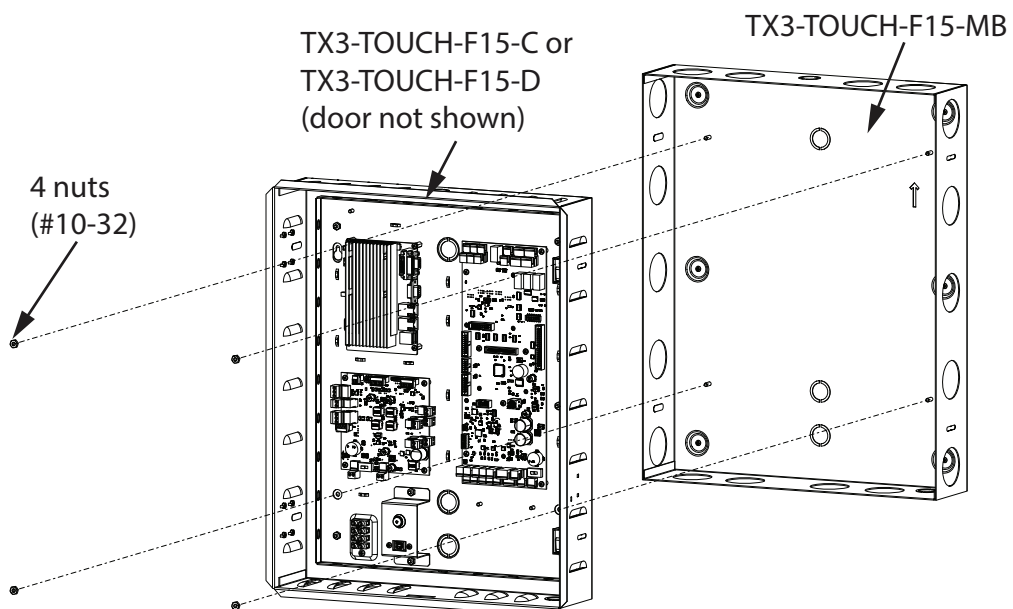
- 6 fasteners appropriate for the wall that you are mounting the enclosure on.

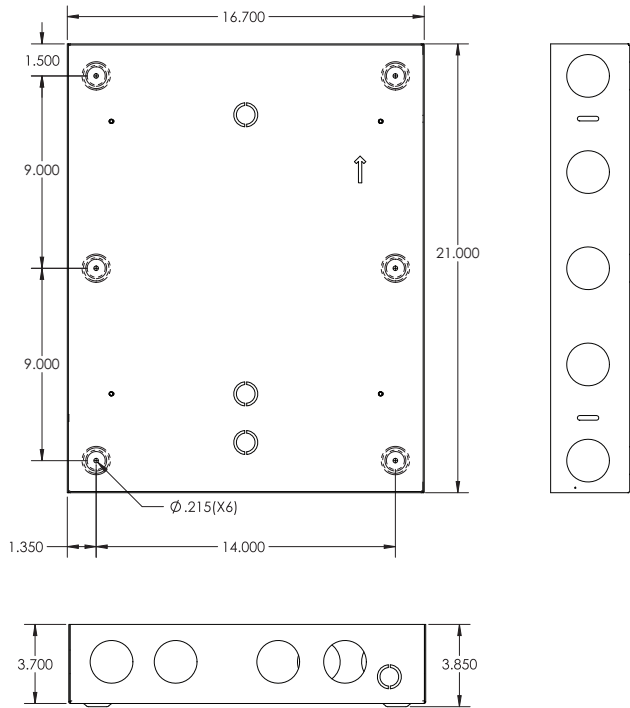
1. Mount TX3-TOUCH-F15-MB on the wall using 6 fasteners appropriate for the wall.

Note: Mount TX3-TOUCH-F15-MB with the arrow pointing up.



2. Mount TX3-TOUCH-F15-C or TX3-TOUCH-F15-D on the 4 posts on TX3-TOUCH-F15-MB, and secure with the 4 included nuts.





TX3-TOUCH-F15-MB dimensions (inches)

Mircom

<http://www.mircom.com>

Toll Free: 1-888-660-4655

Local: 905-660-4655

Fax: 905-660-4113