

# TX3-TOUCH-F22-MB Installation Instructions

## Parts List

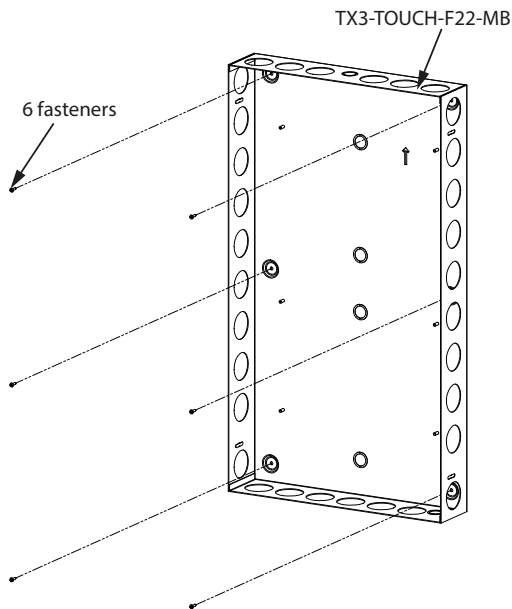
- Qty 1 ... TX3-TOUCH-F22-MB mounting box for TX3-TOUCH-F22-C, TX3-TOUCH-F22-D, and TX3-TOUCH-F22-E
- Qty 6 ... nuts

You will need:

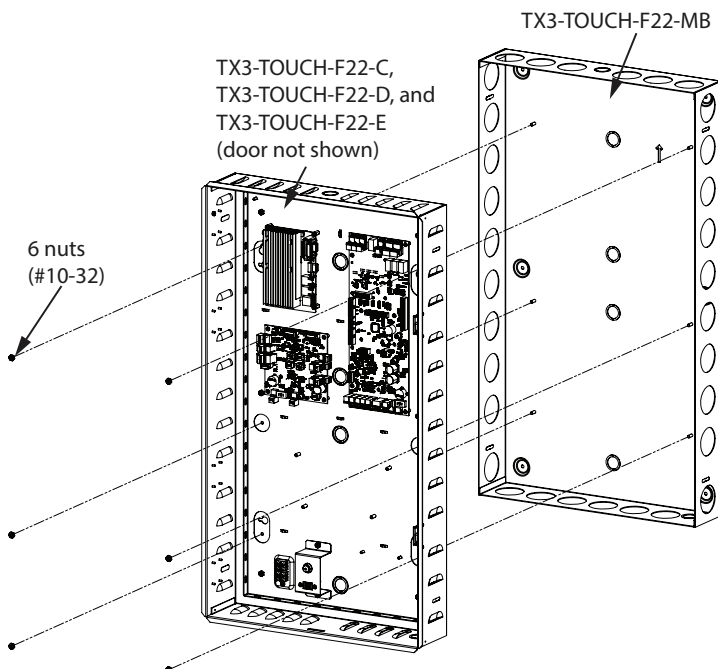
- 6 fasteners appropriate for the wall that you are mounting the enclosure on.

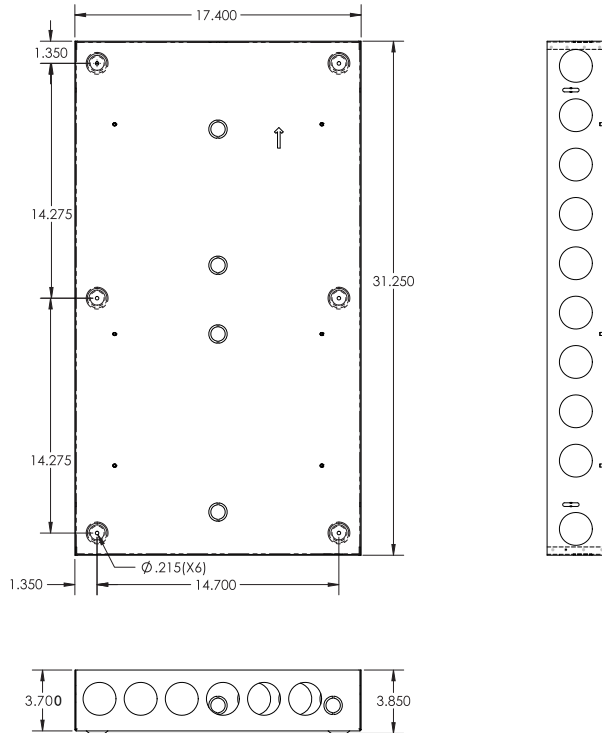
1. Mount TX3-TOUCH-F22-MB on the wall using 6 fasteners appropriate for the wall.

**Note:** Mount TX3-TOUCH-F22-MB with the arrow pointing up.



2. Mount TX3-TOUCH-F22-C, TX3-TOUCH-F22-D, or TX3-TOUCH-F22-E on the 6 posts on TX3-TOUCH-F22-MB, and secure with the 6 included nuts.





**TX3-TOUCH-F22-MB dimensions (inches)**

## Mircom

<http://www.mircom.com>

**Toll Free:** 1-888-660-4655

**Local:** 905-660-4655

**Fax:** 905-660-4113