

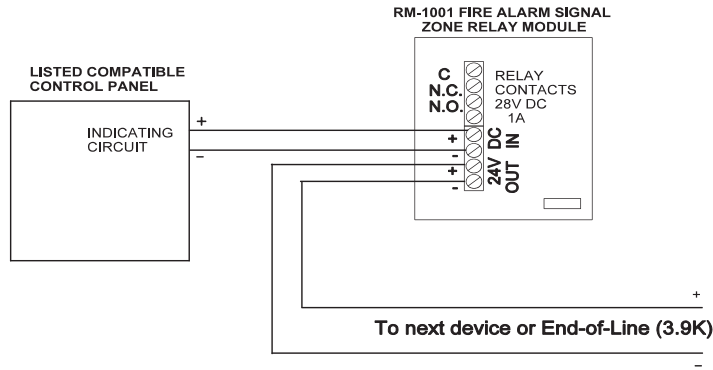
Installation

The RM-1001 Fire Alarm Signal Zone relay module provides relay contact of common, normally open and normally closed. This module comes mounted to a metal single gang plate and must be mounted into a single gang electrical box.

Wiring

The relay module contains three terminals for Common, Normally Closed contact and Normally Open contact. It is rated at 28VDC, 1 Amp. Refer to the wiring diagram below for correct installation.

**TYPICAL WIRING DIAGRAM FOR AN
RM-1001 FIRE ALARM SIGNAL ZONE RELAY MODULE**



LT-667 Rev.3

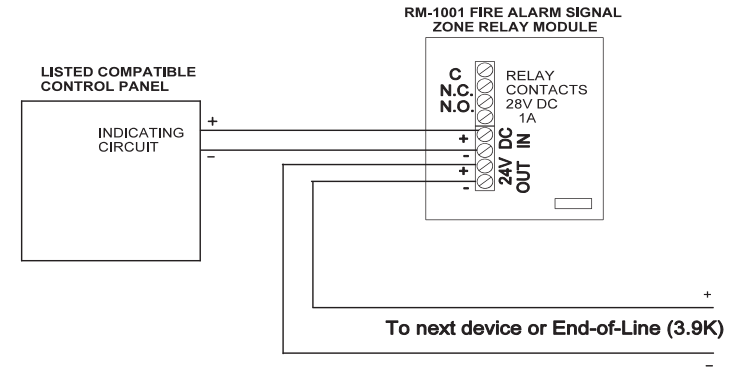
Installation

The RM-1001 Fire Alarm Signal Zone relay module provides relay contact of common, normally open and normally closed. This module comes mounted to a metal single gang plate and must be mounted into a single gang electrical box.

Wiring

The relay module contains three terminals for Common, Normally Closed contact and Normally Open contact. It is rated at 28VDC, 1 Amp. Refer to the wiring diagram below for correct installation.

**TYPICAL WIRING DIAGRAM FOR AN
RM-1001 FIRE ALARM SIGNAL ZONE RELAY MODULE**



LT-667 Rev.3

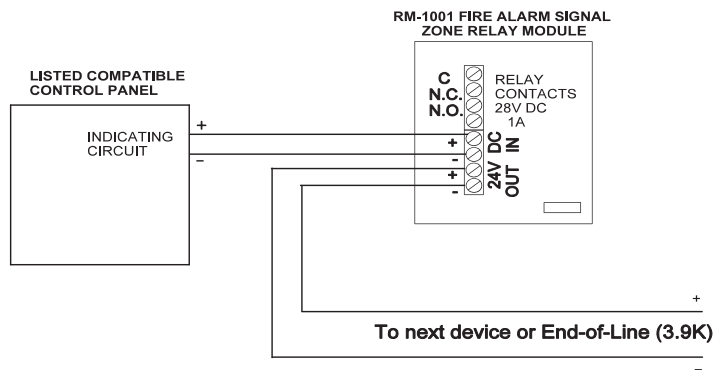
Installation

The RM-1001 Fire Alarm Signal Zone relay module provides relay contact of common, normally open and normally closed. This module comes mounted to a metal single gang plate and must be mounted into a single gang electrical box.

Wiring

The relay module contains three terminals for Common, Normally Closed contact and Normally Open contact. It is rated at 28VDC, 1 Amp. Refer to the wiring diagram below for correct installation.

**TYPICAL WIRING DIAGRAM FOR AN
RM-1001 FIRE ALARM SIGNAL ZONE RELAY MODULE**



LT-667 Rev.3

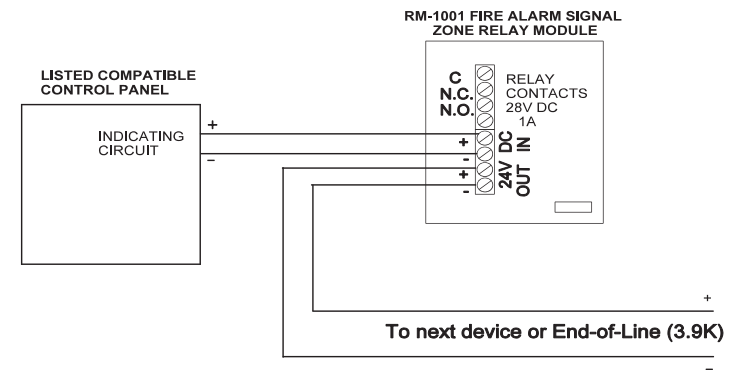
Installation

The RM-1001 Fire Alarm Signal Zone relay module provides relay contact of common, normally open and normally closed. This module comes mounted to a metal single gang plate and must be mounted into a single gang electrical box.

Wiring

The relay module contains three terminals for Common, Normally Closed contact and Normally Open contact. It is rated at 28VDC, 1 Amp. Refer to the wiring diagram below for correct installation.

**TYPICAL WIRING DIAGRAM FOR AN
RM-1001 FIRE ALARM SIGNAL ZONE RELAY MODULE**



LT-667 Rev.3