

SIGSM-100 SIGNAL AND SPEAKER SILENCE MODULE

INSTALLATION AND OPERATING INSTRUCTIONS

The model SIGSM-100 is used to silence a local fire alarm signal, such as a bell, horn or speaker within a suite. There are several applications for fully supervised or non-supervised bells, horns and speakers. This module is intended for indoor use.

NOTE: WHEN USING A QX-5000 ZONED AUDIO SYSTEM, A QRM-1001 BELL CUT MODULE MUST BE USED TO SILENCE THE BELL CIRCUIT FOR PAGING. SEE LT-666 INSTRUCTIONS PACKED WITH THE QRM-1001 BELL CUT MODULE.

INSTALLATION

Make appropriate wiring connections as per wiring instruction on other side of this sheet. The model SIGSM-100 mounts onto a standard 4" square electrical box complete with a single gang reducer plate with two #6 screws provided. Once this device is wired, mount to the electrical box and test the operation.

BELLS OR HORNS (SUPERVISED)

This wiring is for continuous bell and horn activation. Wire the SIGSM-100 as per Diagram 1. Terminals 3 (white wire) and 4 (red wire) are connected to the in-suite horn or bell and then in series with fire alarm indicating circuit. The fire alarm indicating circuit is connected from the fire alarm into the SIG IN terminals 5 (black wire) and 6 (red wire) and out the SIG OUT terminals 7 (red wire) and 8 (black wire). Jumper SIG is ON and SPKR is OFF. Jumper SEL-A is set to "A" position. Jumper SEL-B is set to "A" position.

BELLS OR HORNS (UNSUPERVISED)

Wire the SIGSM-100 terminals 5 (black wire) and 6 (red wire) in parallel with the fire alarm indicating circuit, see Diagram 2. Terminals 3 (white wire) and 8 (black wire) are connected to the in-suite horn or bell.

SPEAKERS (SUPERVISED)

Wire the SIGSM-100 terminals 3 (white wire) and 4 (red wire) to in-suite speaker and this speaker in series with the fire alarm speaker circuit, see Diagram 3. Terminals 1 (blue wire) and 2 (black wire) are also wired in series with the fire alarm speaker circuit.

SPEAKERS (NON-SUPERVISED)

Wire the in-suite speaker in parallel to the fire alarm speaker circuit and to terminals 1 (blue wire) and 3 (white wire), see Diagram 4. Wire the SIGSM-100 terminals 5 (black wire) and 6 (red wire) in parallel with a fire alarm indicating circuit.

OPERATION

At the Fire Alarm Control Panel activate the signal circuits. Press the silence button on the Model SIGSM-100 momentarily. The local signals (within the suite) should be silenced, without interfering with the other signal devices connected to the Fire Alarm Control Panel. The red LED on the module shall remain illuminated as long as the fire alarm signals are activated.

SPECIFICATIONS

VOLTAGE	16-33 (Regulated 24 Vdc/fwr)
CURRENT	30 mA @ nominal voltage
SIGNAL SILENCE DURATION	9 to 10 minutes



LISTED AUDIBLE
SIGNAL APPLIANCE
FIRE ALARM
63Y0

CAUTION: MIRCOCOM DOES NOT RECOMMEND ANY CHANGES TO THE FACTORY APPLIED FINISH.

Canada
25 Interchange Way
Vaughan, ON L4K 5W3
Tel: (888) 660-4655
(905) 660-4655
Fax: (905) 660-4113

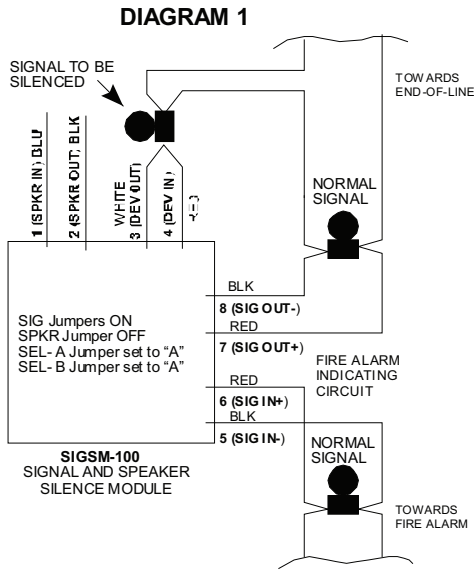
U.S.A
4575 Witmer Industrial Estates
Niagara Falls, NY 14305
Tel: (888) 660-4655
(905) 660-4655
Fax: (905) 660-4113



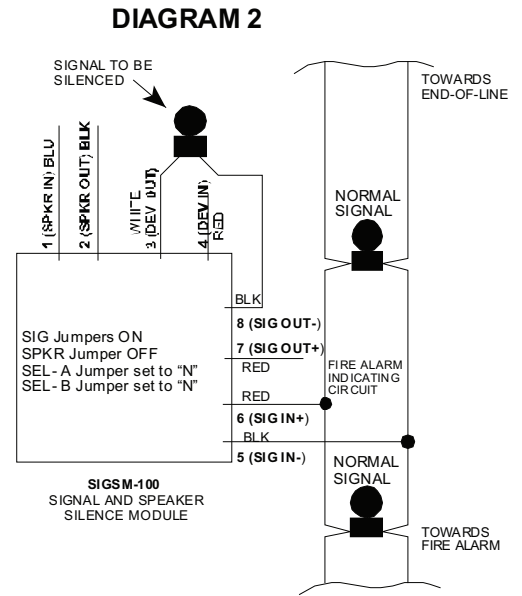
www.mircom.com

LT-669 Rev. 4

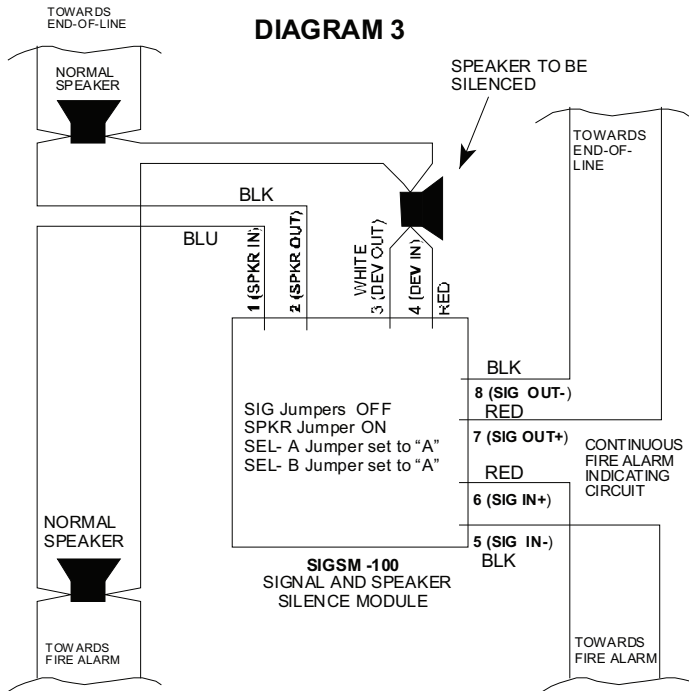
NOTE: IT IS RECOMMENDED THAT THE INDICATING CIRCUIT BE WIRED AS SUPERVISED AND CLASS A (STYLE Y) TO COMPLY WITH THE ONTARIO BUILDING CODE.



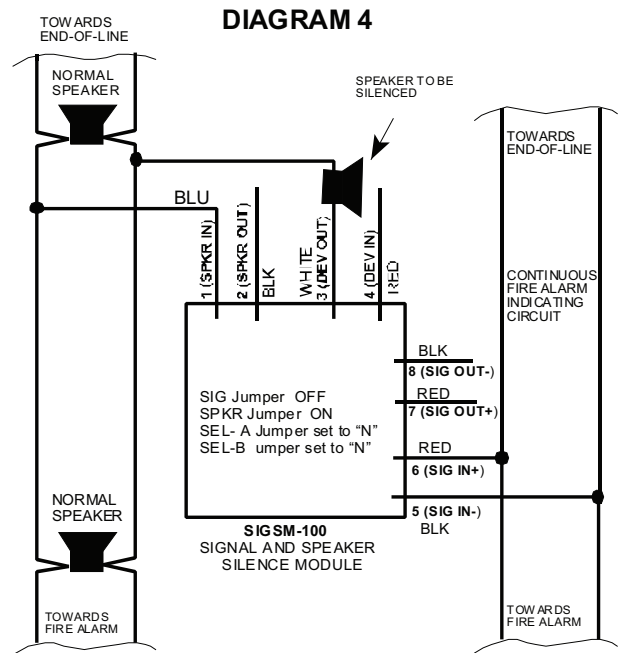
“SILENCE BUTTON” DESIGN USED WITH BELLS OR HORNS IN A FULLY SUPERVISED MANNER (CONTINUOUS SIGNALING ONLY)



“SILENCE BUTTON” DESIGN USED WITH BELLS OR HORNS IN A NON-SUPERVISED MANNER



“SILENCE BUTTON” DESIGN USED WITH SPEAKERS IN A FULLY SUPERVISED MANNER



“SILENCE BUTTON” DESIGN USED WITH SPEAKERS IN A NON-SUPERVISED MANNER

Canada
25 Interchange Way
Vaughan, ON L4K 5W3
Tel:(888) 660-4655
(905) 660-4655
Fax:(905) 660-4113

U.S.A
4575 Witmer Industrial Estates
Niagara Falls, NY 14305
Tel:(888) 660-4655
(905) 660-4655
Fax:(905) 660-4113

 **Mircom**™

www.mircom.com

LT-669 Rev. 4