

### Contents of the Kit

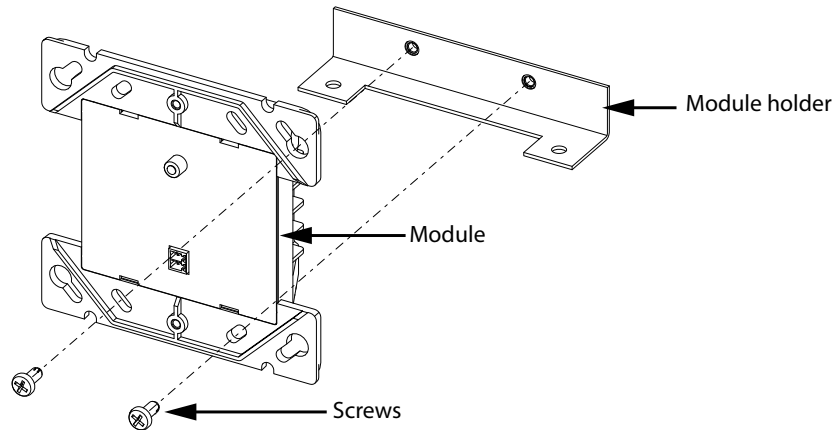
- 1 module bracket
- 7 module holders
- 14 screws for attaching the modules to the module holders
- 18 nuts (14 for attaching the module assemblies to the module bracket, and 4 for attaching the module bracket to the backbox)

### Mount the Modules

The M6000-BK7 module bracket holds up to 7 intelligent addressable modules. Each module is mounted on a module holder. The M6000-BK7 module bracket is mounted in the QBB-6001 backbox.

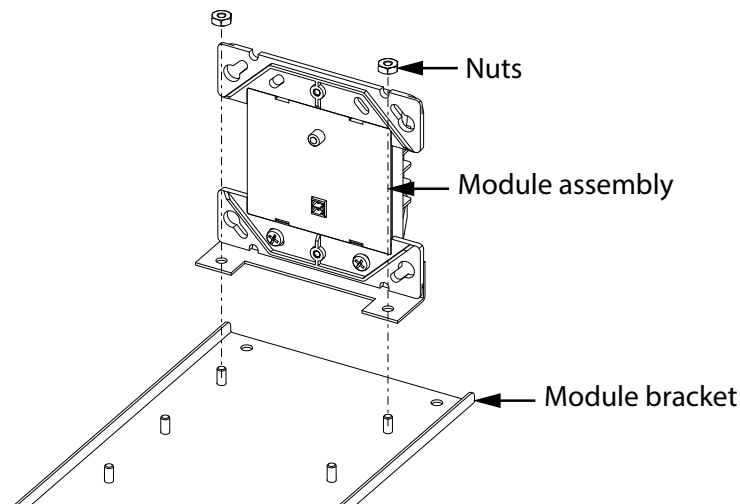
1. Mount the modules on the module holders with the included screws as shown in Figure 1.

**Figure 1 Mount the modules on the module holders**

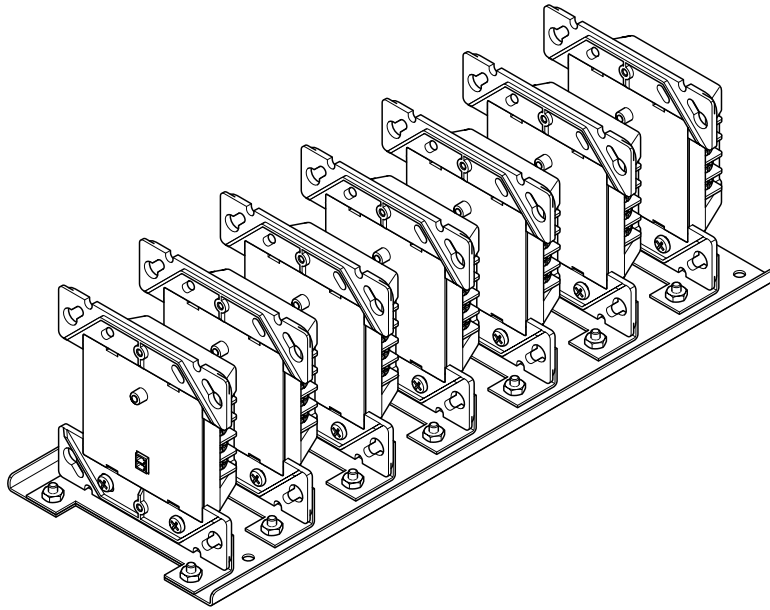


2. Mount the module assemblies on the module bracket with the included nuts as shown in Figure 2.

**Figure 2 Mount the module assemblies on the module bracket**



**Figure 3 Final assembly**



3. Mount the final assembly on the 4 studs in the QBB-6001 backbox and secure it with the 4 included nuts. Mount it with the modules facing up as shown in Figure 4.

**Figure 4 Mount the final assembly with the modules facing up**

