

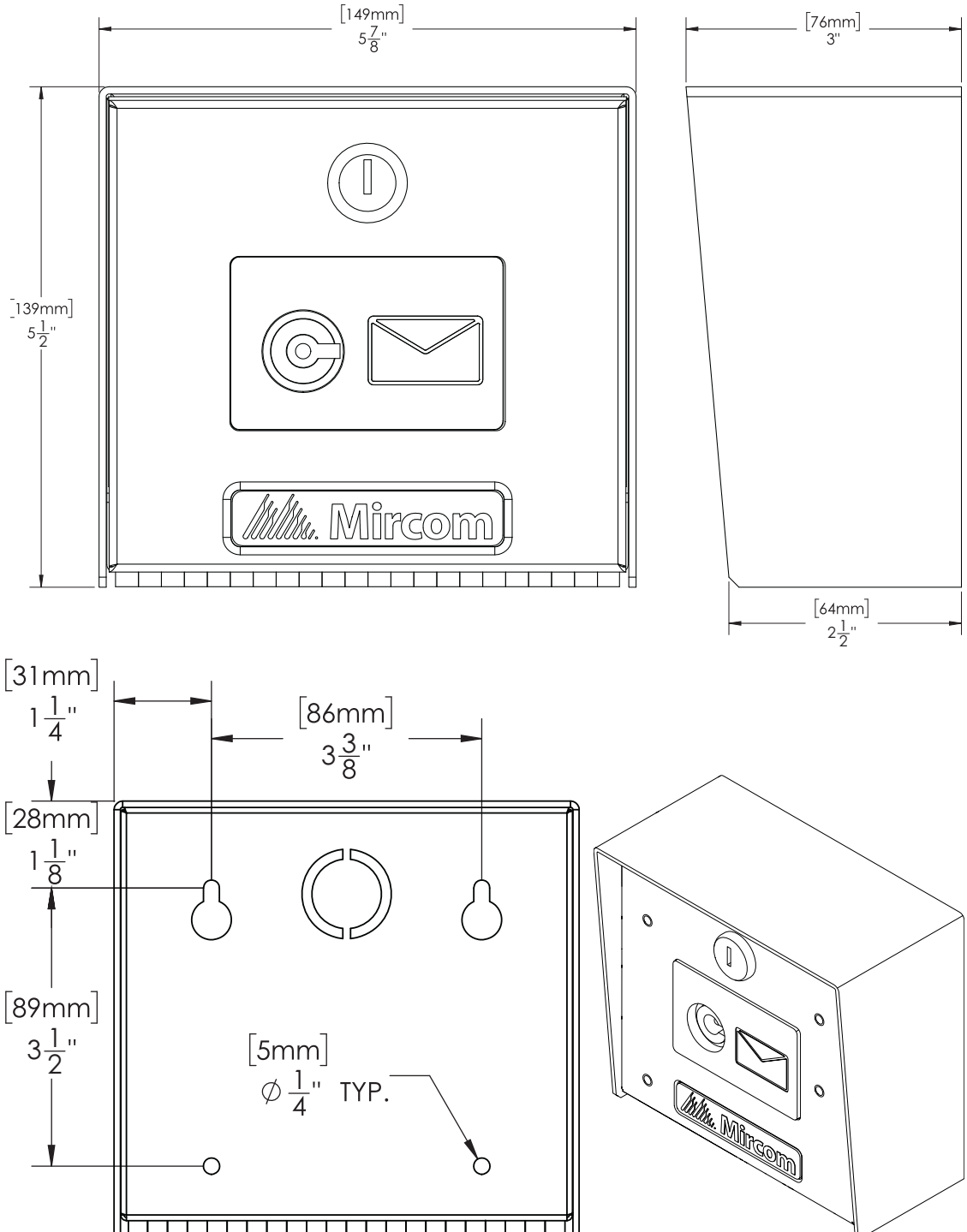
TX3-PL-ENCL Postal Lock Enclosure

A. Operation

The TX3-PL-ENCL Post Office Lock Enclosure permits the postal worker to use their key to enter the building (when used with Post Office supplied lock).

B. Dimensions

There are two knockouts: one on the back and one on the bottom.



C. Installation

1. Place the postal lock into the postal lock enclosure and secure it with the two nuts provided. Ensure that it engages the postal lock switch.
2. Connect the 2 wires (22 AWG) from the postal lock switch to the access control unit. See the control unit's documentation for instructions.
3. Use four fasteners to secure the postal lock enclosure to the wall.

