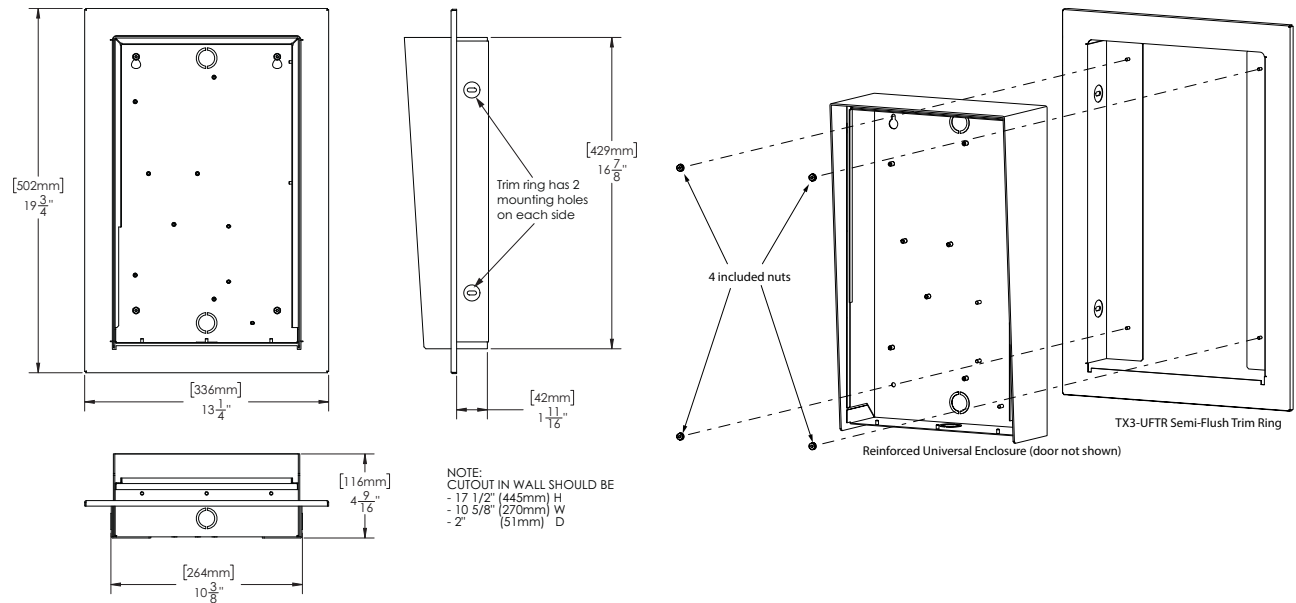


TX3-UFTR and TX3-USFTR Universal Series Flush Trim Rings Installation Instructions

TX3-UFTR



Flush Mount the Universal Enclosure with the Trim Ring

1. Find a suitable location for the enclosure.
2. Cut an opening in the wall. The dimensions of the cutout are shown above.
3. Insert the trim ring into the wall cutout.
4. Attach the trim ring to vertical supports using four appropriate fasteners. The mounting holes are shown above.

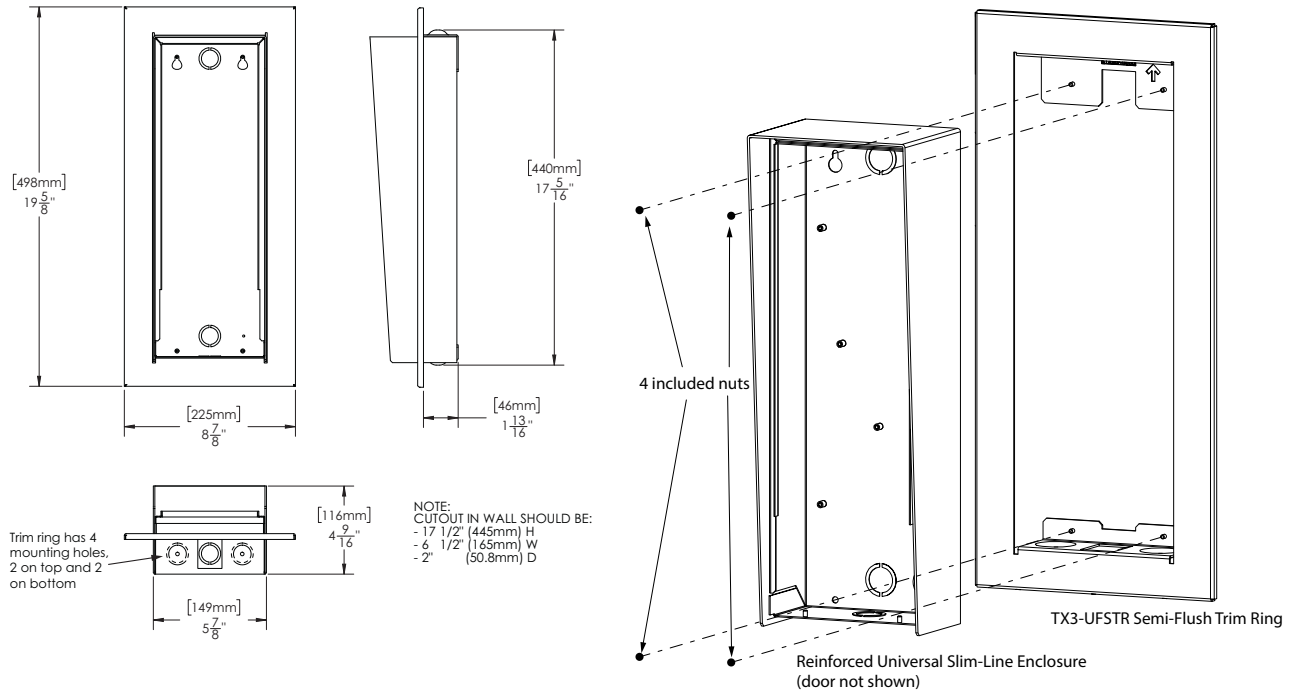
Note: Install the trim ring with the arrow pointing up.

Note: If you are mounting the trim ring to a wall stud, attach one side to the wall stud with appropriate fasteners, and leave the other side free.

5. Insert the universal enclosure with the rain hood inside the trim ring.
6. Secure the universal enclosure inside the trim ring using the four included nuts as shown above.

For all other information on TX3 lobby units, see the document LT-969 on www.mircom.com.

TX3-USFTR



Flush Mount the Slim-Line Enclosure with the Trim Ring

1. Find a suitable location for the enclosure.
2. Cut an opening in the wall. The dimensions of the cutout are shown above.
3. Insert the trim ring into the wall cutout.
4. Attach the trim ring to horizontal supports using four appropriate fasteners. The mounting holes are on the top and bottom of the trim ring. They are shown above.

Note: Install the trim ring with the arrow pointing up.

5. Insert the universal enclosure with the rain hood inside the trim ring.
6. Secure the universal enclosure inside the trim ring using the four included nuts as shown above.

For all other information on TX3 lobby units, see the document LT-969 on www.mircom.com.