

TX3-BBR-C Installation Instructions

The reinforced continental enclosure flush mounts directly inside the wall to the wall stud as shown in figure 2. Mount the back box flush with the wall and right-side up (the ground screw location is at the bottom).

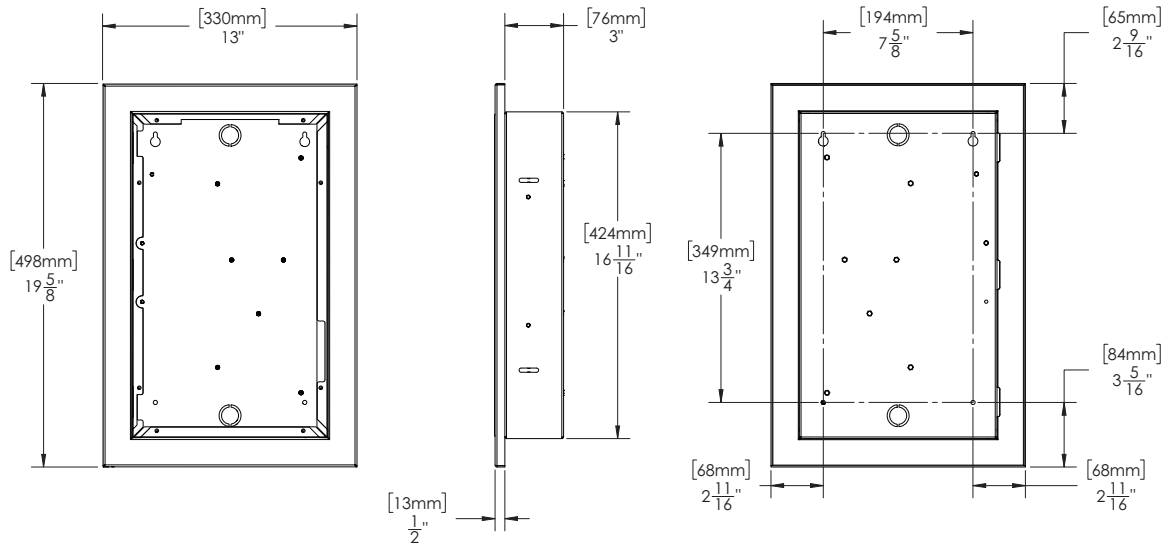
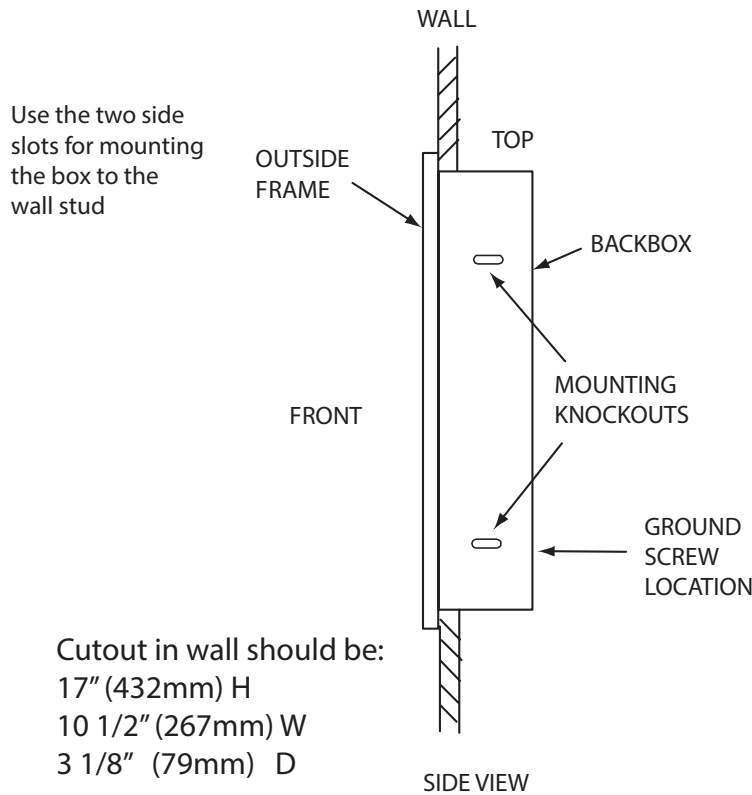


Figure 1. TX3-BBR-C



The Continental enclosure back box must be flush mounted with wall

Figure 2. TX3-BBR-C Mounting

Install the reinforced continental enclosure

1. Find a suitable location for the enclosure.
2. Cut an opening in the wall. The dimensions of the cutout are shown in figure 2.
3. Insert the enclosure into the wall cutout.

Note: Install the enclosure right-side up (the ground screw is on the bottom).

4. Attach the enclosure to the supports using four appropriate fasteners. The mounting holes are shown in figure 1 and figure 2.

Note: If you are mounting the enclosure to a wall stud, attach one side to the wall stud with appropriate fasteners, and leave the other side free.