

1 TX3-T-PEDESTAL-B-WR

Warning: The stand is heavy. Never attempt to lift this product by yourself. At least two people should lift it together.

To prevent overheating, do not install any of the TX3 Touch Screens in direct sunlight.

Install the power supply outside the pedestal.

TX3-T-PEDESTAL-B-WR supports these models:

- TX3-TOUCH-S15B-WR, TX3-TOUCH-S15S-WR, TX3-TOUCH-S15B-WR-A, TX3-TOUCH-S15S-WR-A

TX3-T-PEDESTAL-B-WR mounts to the floor outside the building near the entrance, close to the building power source and telephone infrastructure. Access for the power and communication cables is provided through a cutout in the base plate.

The kit includes:

- 1 stand
- 1 cover
- 1 backplate
- 8 bolts for attaching the backplate to the stand
- 4 screws for attaching the Touch Screen to the backplate

Weight: 55 lb (25 kg)

Height: 62.3" (1582 mm)

You need:

- 4 L-bolts or wedge anchors to anchor the stand on the concrete. The recommended diameter of the anchors is 5/8" (16 mm).

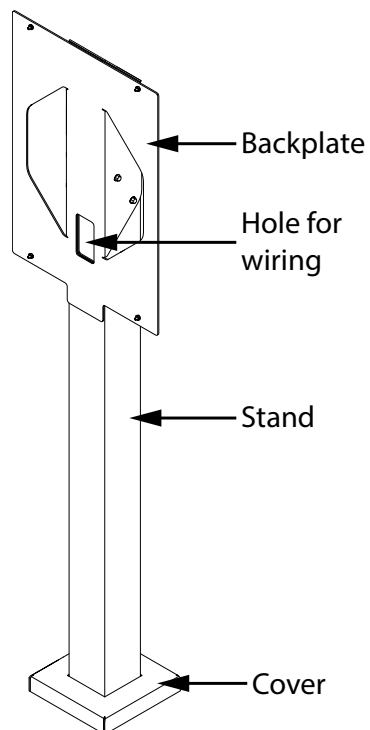


Figure 1. TX3-T-PEDESTAL-B-WR components

1.1 Anchor the Stand

1. Anchor the 4 L-bolts or wedge anchors in a square, 6" (152 mm) apart as shown in figure 2.

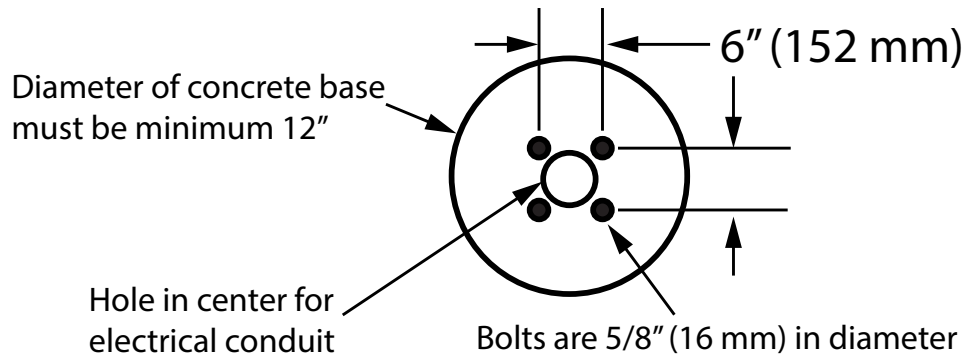


Figure 2. Anchor bolts

2. Cut an opening in the floor for the electrical and communication cables.
3. Secure the stand to the anchors.

The anchors must be no higher than 1 1/4" (32 mm) above the ground so that the cover fits over them.

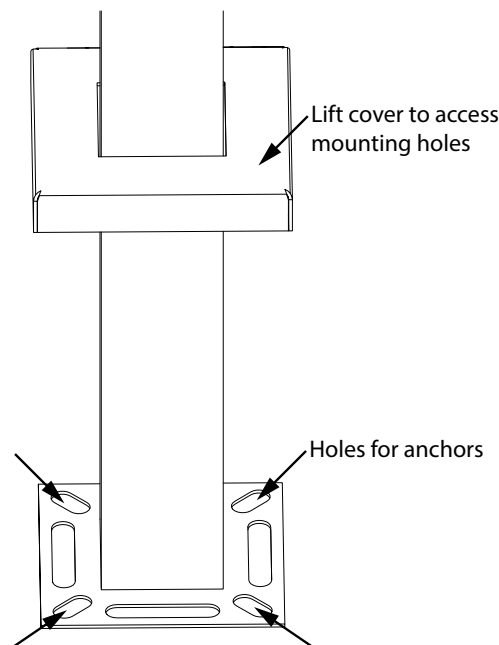


Figure 3. Anchor the stand

4. Run the wires through the stand to the hole at the top (see figure 1).
5. Replace the cover.

1.2 Secure the Backplate

The backplate can be mounted in 2 positions. The backplate is factory installed in the lower position.

Note: There is 1 open hole on each side of the stand. Place the 2 remaining bolts in the open holes to prevent water getting inside the stand.

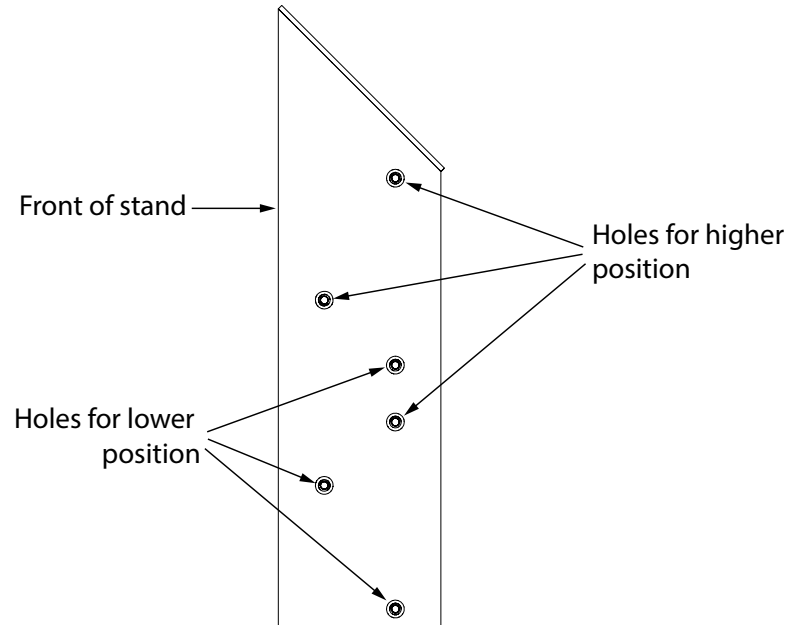


Figure 4. Holes for mounting backplate

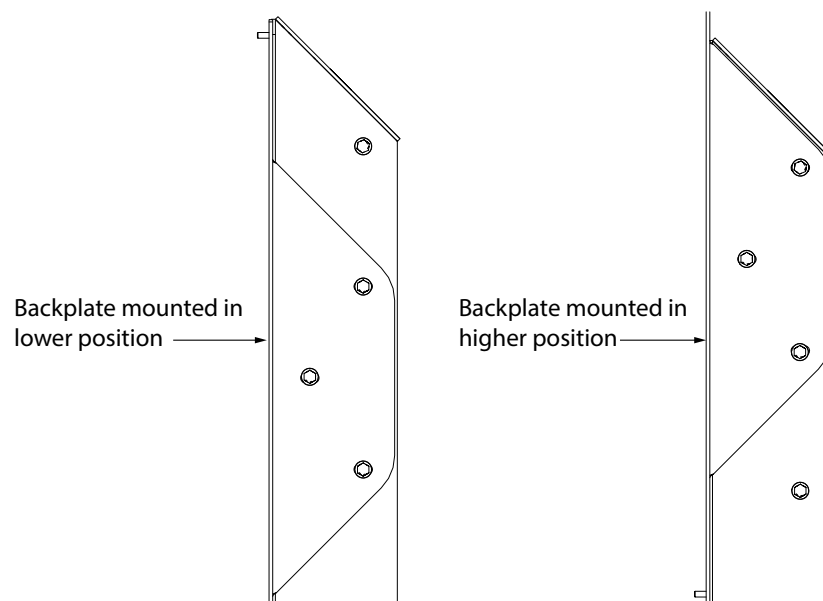


Figure 5. The backplate can be mounted in 2 positions

To move the backplate to the higher position, follow these steps:

1. Remove the 4 bolts on each side.
2. Reposition the backplate to the 3 holes for the higher position shown in figures 4 and 5.
3. Secure the backplate with 3 bolts on each side.
4. Place the 2 remaining bolts in the open holes to prevent water getting inside the stand.

1.3 Mount the Touch Screen

1. Insert 2 of the supplied screws halfway into the top holes on the backplate.
2. Hang the Touch Screen on the top 2 screws.
3. Tighten all 4 screws into place as shown in figure 6.

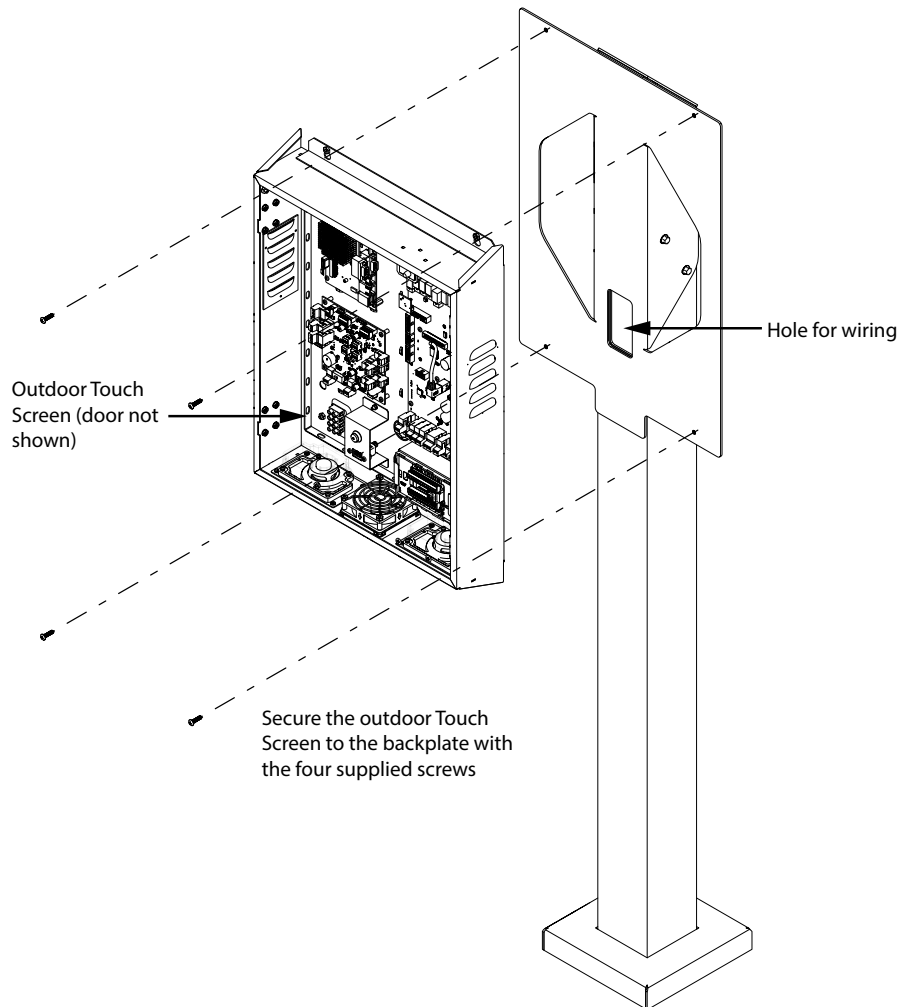


Figure 6. Mount the outdoor Touch Screen on the backplate

Mircom
<http://www.mircom.com>
CANADA - Main Office
25 Interchange Way
Vaughan, ON L4K 5W3
Tel: (888) 660-4655
(905) 660-4655

U.S.A
4575 Witmer Industrial Estates
Niagara Falls, NY 14305
Tel: (888) 660-4655