

Contents:

- QMB-5000N Audio Motherboard Card Cage
- 4 screws for the deadfront and 4 hex nuts for mounting into BBX-FXMNS/ MMX-BBX-FXMNS

The QMB-5000N Audio Motherboard Card Cage can be installed in one enclosure, the FleX-Net™/ MMX™ Mass Notification System (BBX-FXMNS/ MMX-BBX-FXMNS) Enclosure.

See manual LT-894/ LT-894SEC for installation and wiring information.

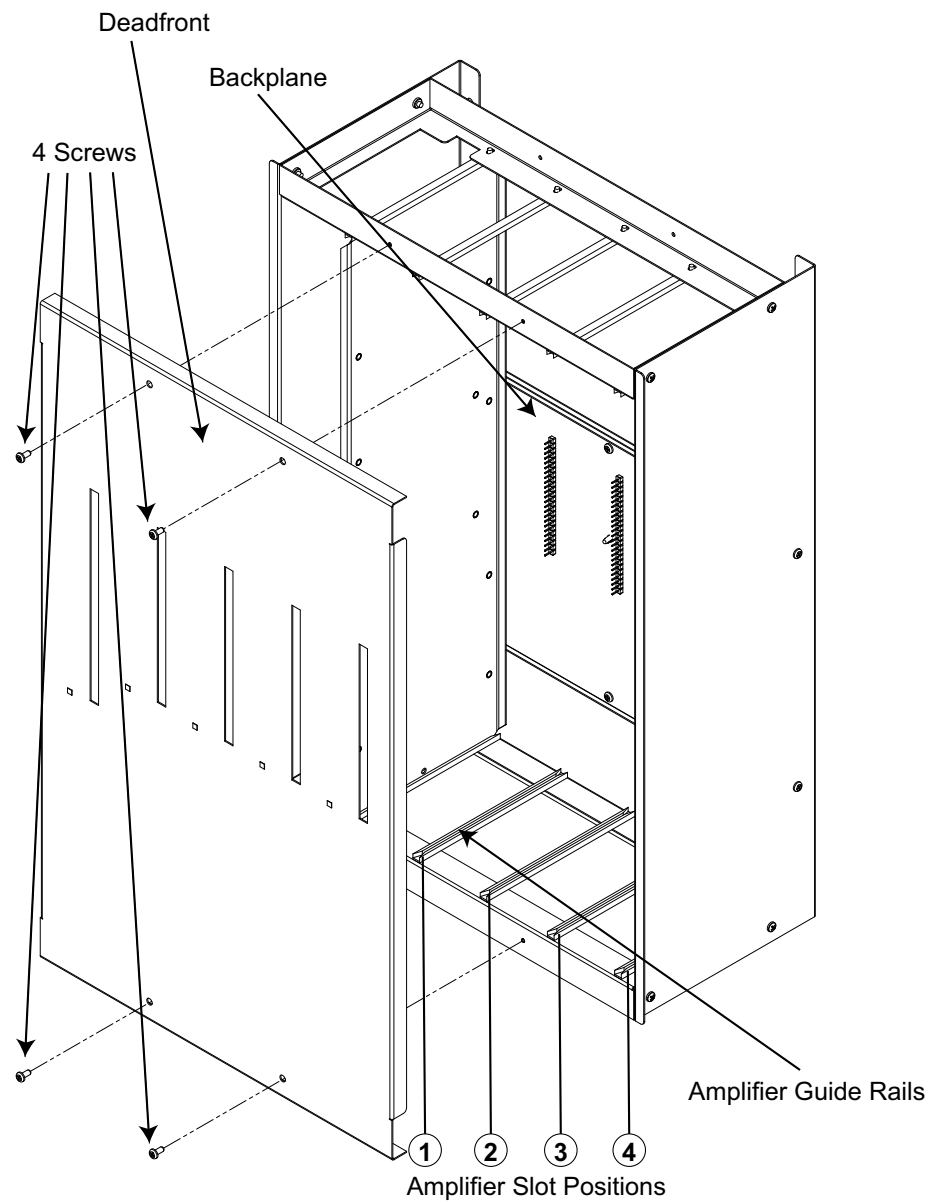


Figure 1 QMB-5000N Audio Motherboard and Card Cage

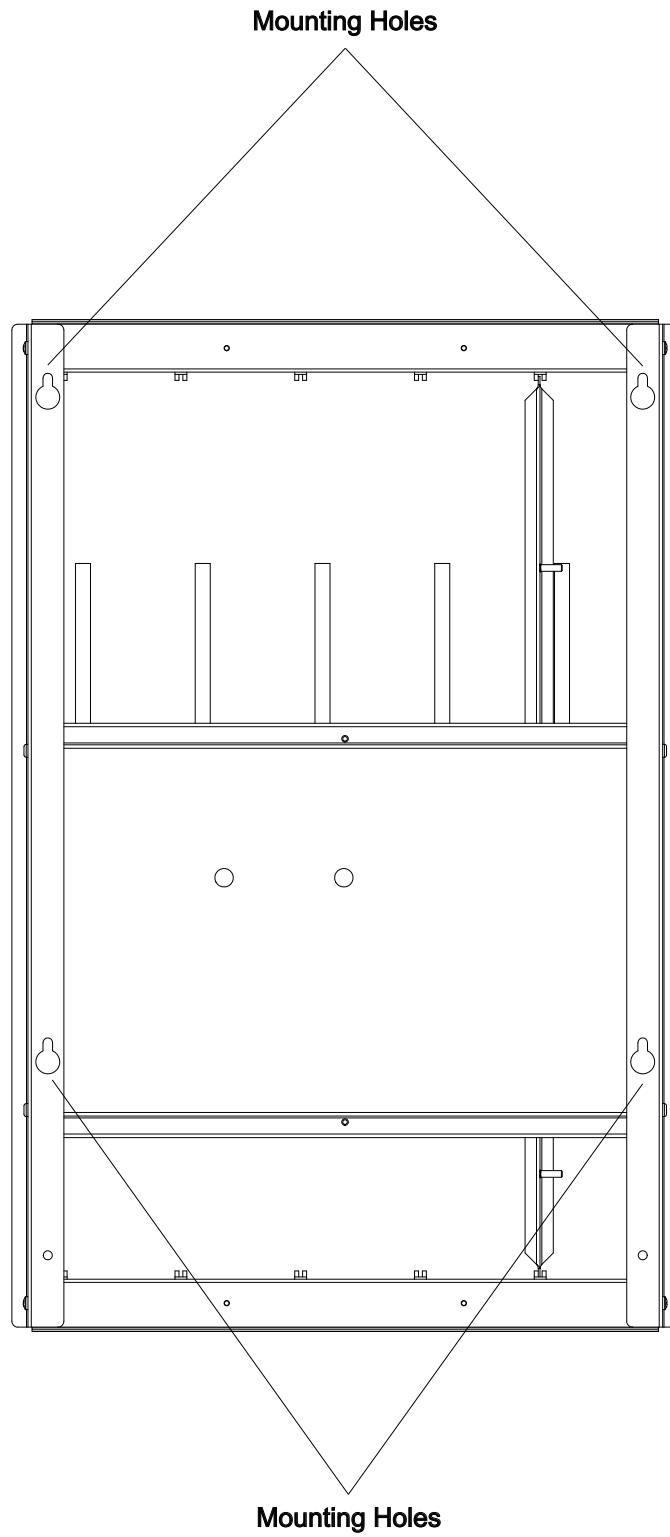


Figure 2 Back view of QMB-5000N Audio Motherboard and Card Cage

Place card cage over the four studs located in the BBX-FXMNS/ MMX-BBX-FXMNS. Fasten the amplifier card cage to the backbox using the four hex nuts provided with the QMB-5000N.

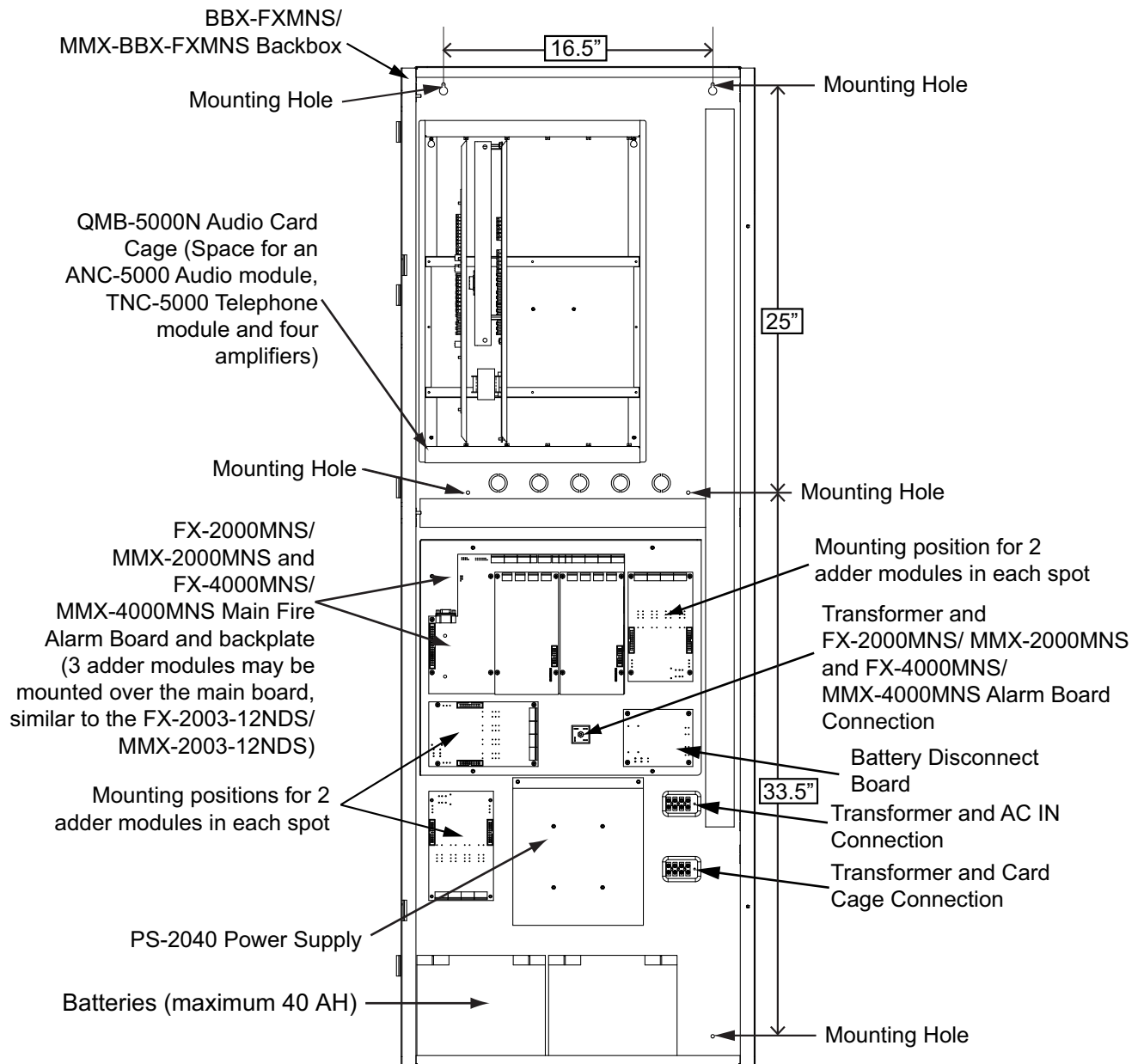


Figure 3 Placement of QMB-5000N Audio Motherboard in the Flex-Net™/ MMX™ Mass Notification System (BBX-FXMNS/ MMX-BBX-FXMNS) Enclosure