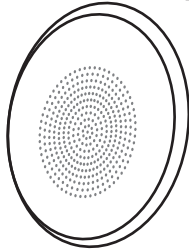
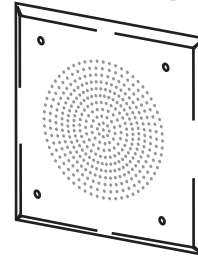


**SP-108-25(W)**
**SP-108-70(W)**

**8" ROUND SPEAKER**
**SP-208-25(W)**
**SP-208-70(W)**

**8" SQUARE SPEAKER**
**MODEL**
**RATING**

SP-108-25(W) 25V RMS 1, 2, 4W

SP-208-25(W) 25V RMS 1, 2, 4W

SP-108-70(W) 70V RMS 1, 2, 4W

SP-208-70(W) 70V RMS 1, 2, 4W

 SPEAKER FREQUENCY RANGE: 320 to 11000 Hz  
(ULC Listed for 400-4000 Hz)

 FOR INDOOR USE ONLY  
OPERATING TEMPERATURE: 0-49°C

**The suffix "W" indicates a bright white model.**

Typical OSPL (dBA)				
Model	1/2 W	1 W	2 W	4 W
SP-108-25/70	82*	85	88	91
SP-208-25/70	82*	86	89	91

\*Power tap not ULC Listed

Directional Characteristic	
Angle	OSPL
0 (ref)	0 (ref)
± 18	-3 dBA
± 24	-6 dBA
± 90	-24 dBA

(representative of horizontal and vertical axes)

Meets or exceeds 85 dBA at 3m in an anechoic chamber using indicated power tap per CAN/ULC-S541.

Mircom does not recommend any changes to the factory applied finish.

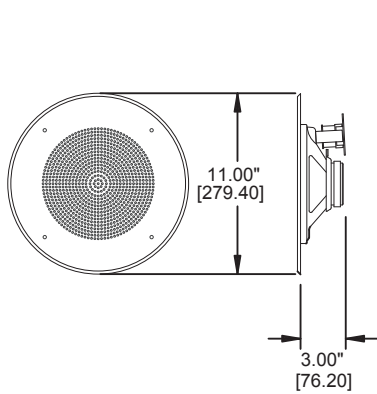
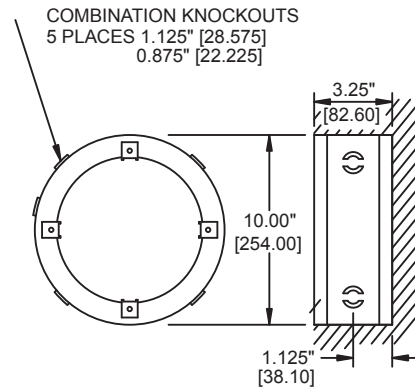
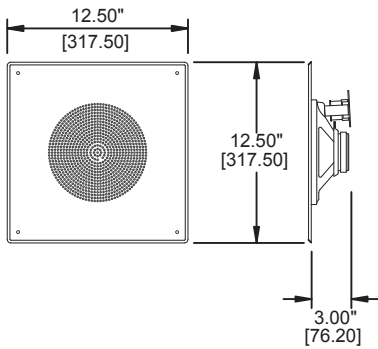
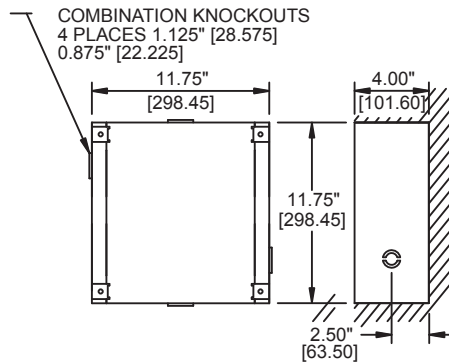
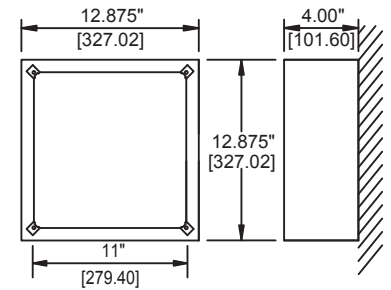
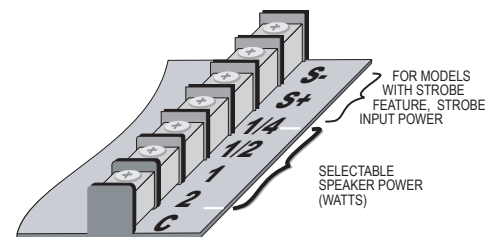
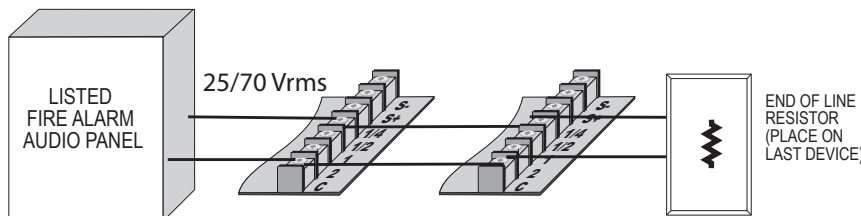
**Wiring Chart for 25V Speakers**

Total Power	Maximum Wiring Run To Last Device (ELR)							
	18AWG		16AWG		14AWG		12AWG	
Watts	ft	m	ft	m	ft	m	ft	m
15	625	190	1000	305	1500	457	2000	609
30	375	114	625	191	1000	305	1500	457
60	187	57	300	91	500	152	875	267

**Wiring Chart for 70V Speakers**

Total Power	Maximum Wiring Run To Last Device (ELR)							
	18AWG		16AWG		14AWG		12AWG	
Watts	ft	m	ft	m	ft	m	ft	m
15	2500	762	4000	1219	6000	1828	8000	2438
30	1500	457	2500	762	4000	1219	6000	1828
60	750	228	1200	365	2000	609	3500	1066



**ROUND AND SQUARE BAFFLE SPEAKERS INSTALLATION INSTRUCTION**

**SP-108 8" ROUND SPEAKER**

**IB-108 FLUSH MOUNTING BACKBOX FOR SP-108 SPEAKER**

**SP-208 8" SQUARE SPEAKER**

**IB-208 FLUSH MOUNTING BACKBOX FOR SP-208 SPEAKER**

**IB-408(W) SURFACE MOUNTING BACKBOX FOR SP-208 SPEAKER**


**CAUTION**

DO NOT LOOP SIGNAL CIRCUIT FIELD WIRES AROUND TERMINALS. ELECTRICAL SUPERVISION REQUIRES WIRE RUN TO BE BROKEN AT EACH END