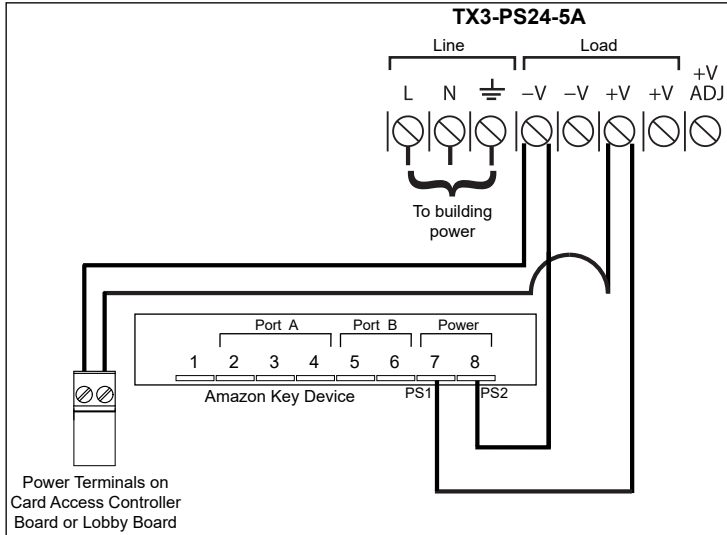


# Amazon Key Device Connection to TX3 Devices

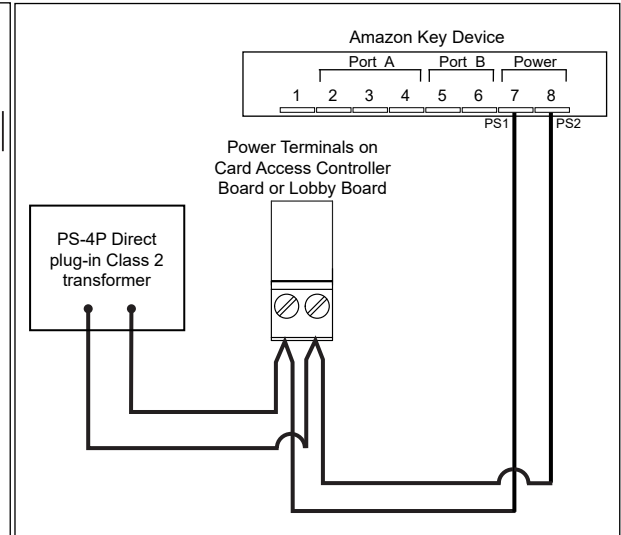
These instructions explain how to connect an Amazon Key device to a TX3 device.

## A. Powering the Amazon Key Device

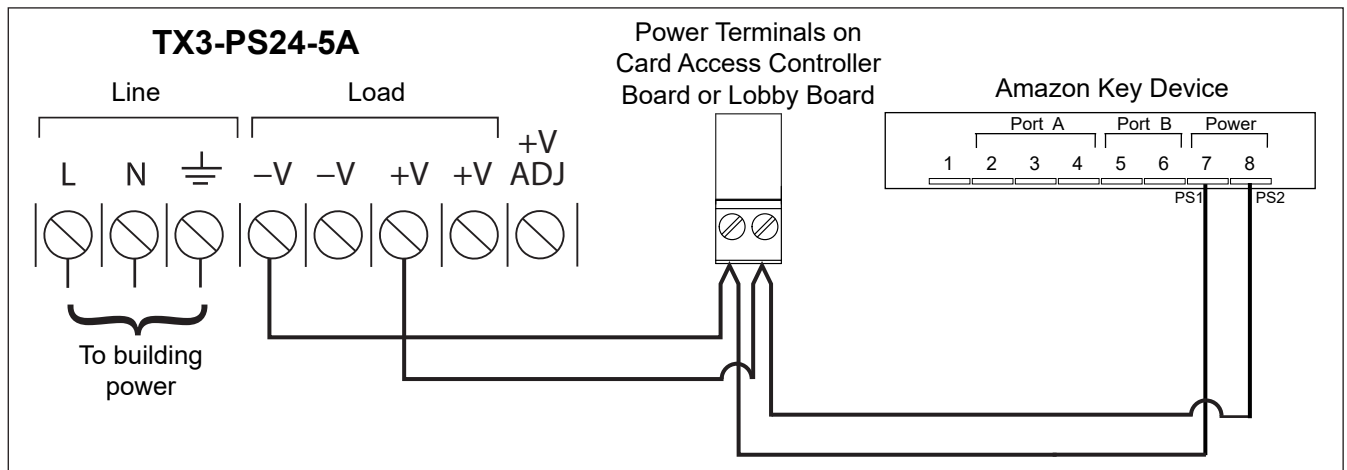
Power the Amazon Key device from the same power source as the TX3 device as shown below.



**Figure 1** Star Wiring Diagram for TX3-PS24-5A



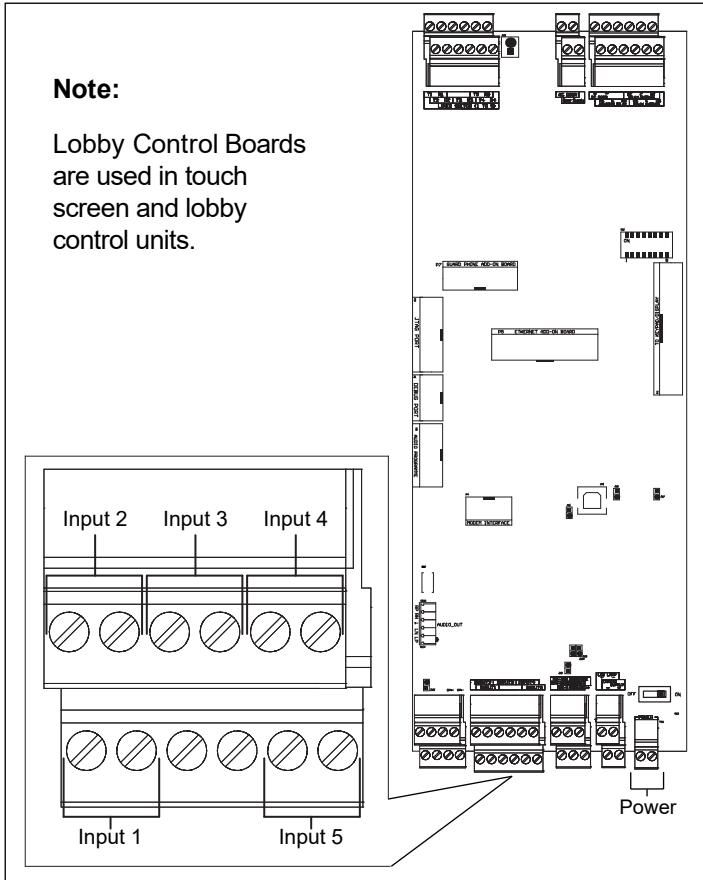
**Figure 2** Daisy Chain Wiring Diagram for PS-4P Direct plug-in Class 2 transformer



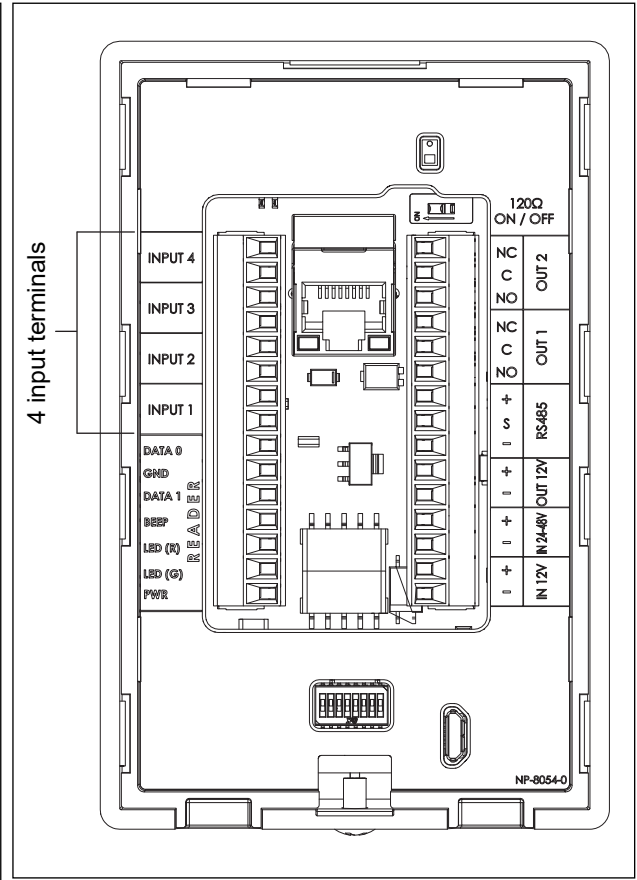
**Figure 3** Daisy Chain Wiring Diagram for TX3-PS24-5A

## B. Wiring the Amazon Key Device

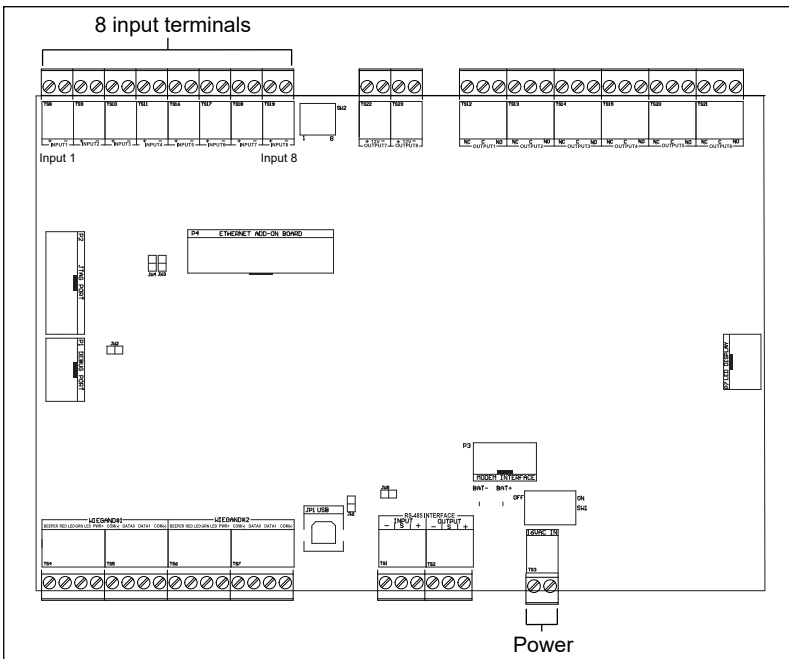
Wire terminals 5 and 6 to any available input on the TX3 device as shown below.



**Figure 4** Lobby Control Unit Main Controller Board



**Figure 5** Card Access Main Controller Board



**Figure 6** Terminal Connections on TX3-CX-1

## C. Compatible Models

These models have the Lobby Control Board:

- TX3-EMER-1S
- TX3-EMER-200KS
- TX3-EMER-1S-C
- TX3-EMER-200KS-C
- TX3-120U-C
- TX3-200-8U-C
- TX3-1000-8U-C
- TX3-2000-8U-C
- TX3-200-4U-C
- TX3-1000-4U-C
- TX3-2000-4U-C
- TX3-NSL-12K-C
- TX3-120C-C
- TX3-200-8C-C
- TX3-1000-8C-C
- TX3-2000-8C-C
- TX3-TOUCH-F15-C
- TX3-TOUCH-F15-D
- TX3-TOUCH-F15-E
- TX3-TOUCH-S15-C
- TX3-TOUCH-S15-D
- TX3-TOUCH-S15-E
- TX3-TOUCH-S15B-WR
- TX3-TOUCH-S15S-WR
- TX3-TOUCH-S15BWR-A
- TX3-TOUCH-S15S-WR-A
- TX3-TOUCH-S22-C
- TX3-TOUCH-S22-D
- TX3-TOUCH-S22-E
- TX3-TOUCH-S22-F
- TX3-TOUCH-F22-C
- TX3-TOUCH-F22-D
- TX3-TOUCH-F22-E
- TX3-TOUCH-F22-F

These models have the Card Access Control Board:

- TX3-CX-2-A
- TX3-CX-2K-A
- TX3-CX-4-A
- TX3-CX-4-A
- TX3-CX-4K-A
- TX3-BBCX-4W