

## About this Manual

This manual is included as a quick reference for installation. For further information on the use of this device with an FACU, please refer to the panel's manual.

**Note:** This manual should be left with the owner/operator of this equipment.

This manual covers the following models:

**FH-400-LF-RR** Red wall and ceiling mounted low frequency sounder

**FH-400-LF-WW** White wall and ceiling mounted low frequency sounder

### Notes

- **DO NOT PAINT OR ALTER FACTORY APPLIED FINISH IN ANY WAY.**
- **NE PAS PEINDRE OU MODIFIER LA FINITION ORIGINALE.**
- Use the information in this document to determine the total current draw of the devices. The total current draw of the devices must not exceed the power supply of the panel. In all cases, the installer should consider the voltage drop to ensure that the last device on the circuit operates within its rated voltage.
- Wiring must be in accordance with CSA C22.1 Section 32

## Description

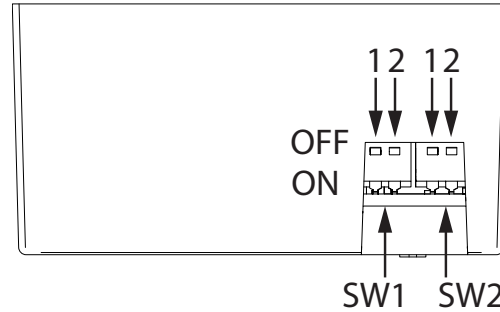
The low frequency 400 series sounder provides a wide range of low frequency audible settings in a single compact device. These low frequency devices operate within a range of 520 Hz  $\pm$  10% which address the NFPA 72 sleeping space requirements. The low frequency sounder can be synchronized using an FACU or PSU with the MGC protocol or through an external sync module for compatibility with any UL/ULC listed FACU or PSU.

Sounder models are approved for wall and ceiling installations.

## Specifications

Operating temperature:	0°C to 50°C (32°F to 122°F)
Humidity range:	0% to 93%
Nominal Voltage:	Regulated 24 VDC / 24 VFWR
Operating Voltage Range (RMS):	16 - 33 VDC / VFWR
Frequency Range:	520 Hz $\pm$ 10%
Input terminal wire gauge:	22 AWG to 12 AWG
Installation environment:	For indoor use only

## Setting the DIP Switches



**NOTE for SW2:** Use **NON-SYNCHRONIZED** when the appliances do not need to be synchronized. Use **SYNCHRONIZED** when synchronization is required, either through a sync module or built-in synchronization on the control unit.

When **SYNCHRONIZED** is selected, the settings for DIP switch SW1 are ignored.

When **NON-SYNCHRONIZED** is selected, the sounder will sound only the audible pattern as selected through DIP switch SW1.

### SW1

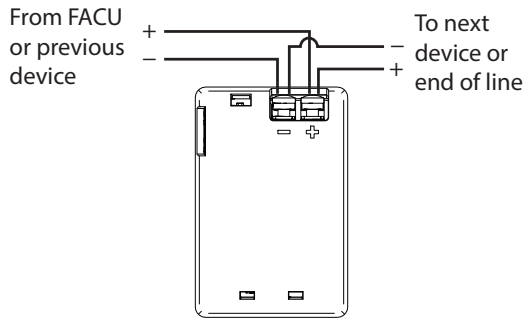
Signal Rate	1	2
Continuous	OFF	OFF
Temporal 4	ON	OFF
Temporal 3	ON (default)	ON (default)
20 BPM	OFF	ON

### SW2

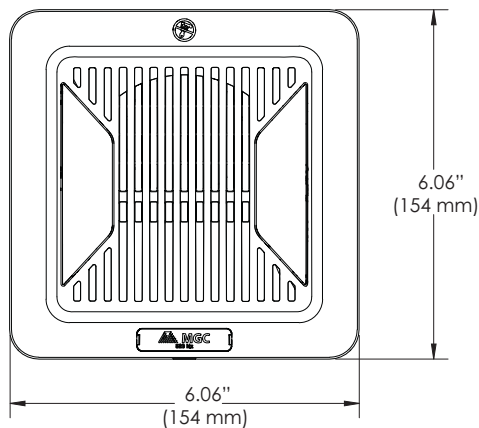
Input	1
SYNCHRONIZED	OFF (default)
NON-SYNCHRONIZED	ON

Sounder Volume	2
High	ON
Normal	OFF (default)

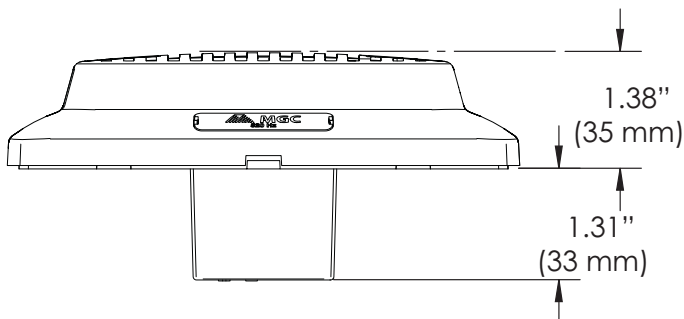
## Wiring



## Dimensions



Front view



Bottom view

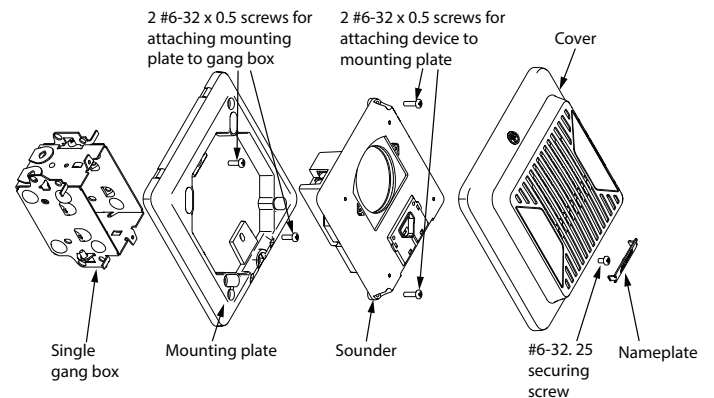
## Mounting Sounder to the Wall or Ceiling

MGC recommends spacing notification appliances in compliance with CAN/ULC S524 and NFPA 72.

When mounting the device on the wall, mount the unit with the MGC logo at the bottom. The appliance is compatible with single gang, double gang or 4" square boxes.

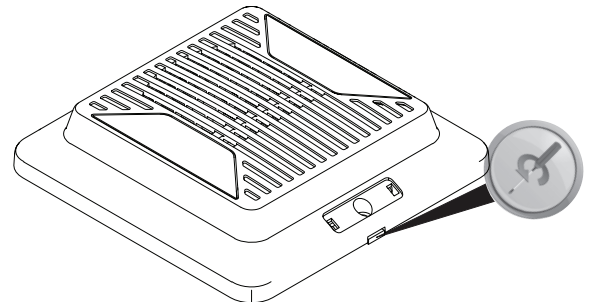
1. Before mounting, disassemble the unit as shown below. Remove the nameplate and securing screw first.
2. Attach the mounting plate to the electrical box with the 2 included mounting screws.
3. Attach the sounder to the mounting plate with the 2 included screws.
4. Attach the cover with the included securing screw and snap the nameplate over the securing screw.

**Note:** Set the DIP switches before installing the device in the mounting plate.



## Removing the Cover from the Mounting Plate

To remove the cover from the mounting plate, remove the nameplate and the securing screw, then insert a flathead screwdriver into the slot between the cover and the mounting plate, and rotate the screwdriver.



## Operating RMS Currents (mA)

### Sounder Operating RMS Currents (mA)

Volume	16 VDC - 33 VDC		16 VFWR - 33 VFWR	
	Coded Tone*	Continuous Tone	Coded Tone*	Continuous Tone
High	151	200	230	310
Normal	55	77	93	125

\*Coded tone is representative of T4, T3 and 20bpm.

## Audible Ratings

### Overall Sound Pressure Level (Reverberant) @ 10 feet (dBA)

Volume	16 VDC	24 VDC	33 VDC	16 VFWR	24 VFWR	33 VFWR
High	81	81	81	81	82	82
Normal	78	78	79	79	79	79

Testing conducted on continuous signal rate.

### Directional Sound Characteristics

Horizontal Axis	OSPL (dBA)
± 87°	-3
± 90°	-5.1
Vertical Axis	OSPL (dBA)
± 90°	-3

At no point was there a 6 dBA decrease.

## Warranty

Purchase of all MGC products is governed by:

<https://www.mircom.com/product-warranty>

<https://www.mircom.com/purchase-terms-and-conditions>

<https://www.mircom.com/software-license-terms-and-conditions>