

TX3-IP-WIEGAND Installation

Note: TX3-IP-WIEGAND is only compatible with TX3-T Series panels, for instance TX3-T10.

A. Contents of Kit

- TX3-IP-WIEGAND
- Mounting plate
- Screwdriver for terminal block
- 2 screws for mounting plate
- 1 screw for securing body to mounting plate
- USB flash containing manuals and software

A TX3-T Series panel, for instance TX3-T10, connected to TX3-IP-WIEGAND can send a facility code and a card code to a third-party access control system. The Wiegand output is sent in a **26-bit standard format** and is described in the table below.

Note: TX3-IP-WIEGAND requires TX3 Configurator version 3.2.1 or greater. With the Configurator, you can add the TX3-IP-WIEGAND as a device and program the facility codes.

Event	Default Facility Code	Card Code
Access is granted by the resident after a visitor calls	167	Dial code associated with the resident
Access is denied by the resident after a visitor calls	168	Dial code associated with the resident
Access is granted by a keyless code	169	Dial code associated with the resident whose keyless code is used

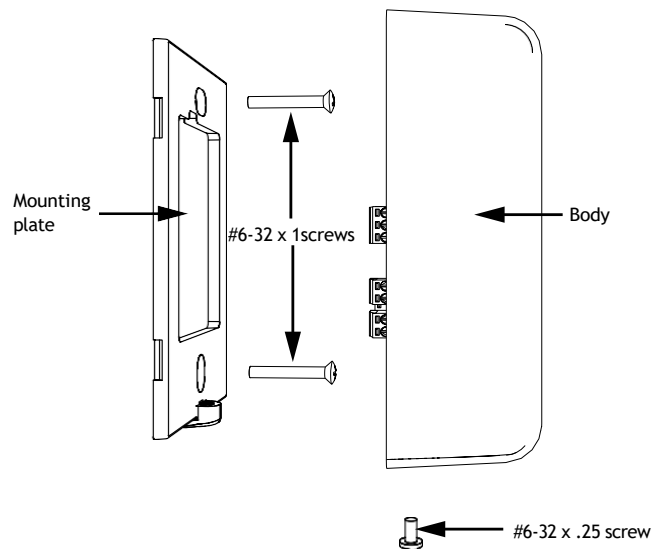


Figure 1. Parts of TX3-IP-WIEGAND

B. Dimensions

122 mm x 79 mm x 41 mm
(4 25/32" x 3 3/32" x 1 39/64")

C. Operating Temperature

0° C - 49° C (32° F - 120° F)

Indoor use only

D. Wiring

WARNING: Disconnect the power before wiring

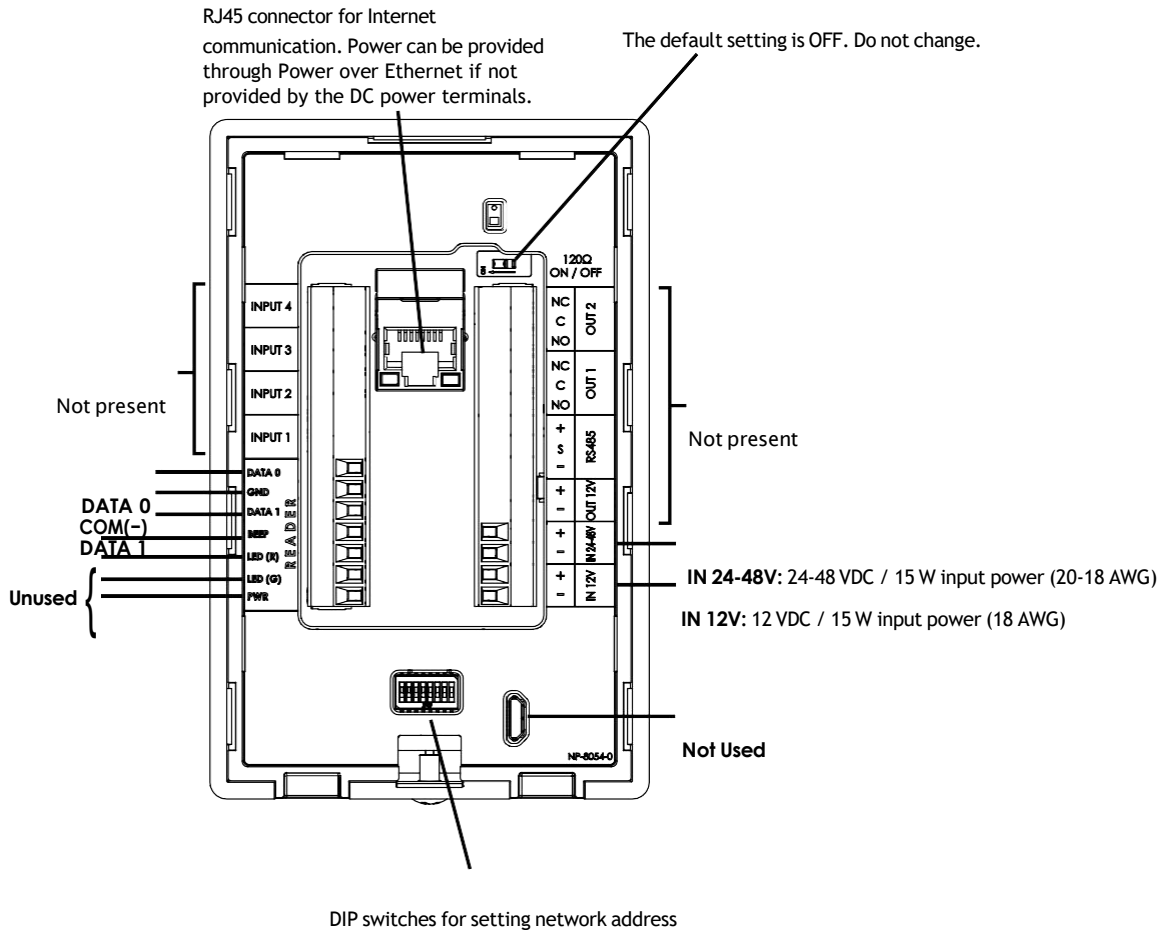


Figure 2. Connections on TX3-IP-WIEGAND

The maximum distance for the Wiegand wiring from TX3-IP-WIEGAND to the access control system is 500 feet using 18 AWG, and 250 feet using 22 AWG. Mircom recommends a foil shielded multiple conductor stranded cable, at least 22 AWG. For example, use Belden 9535 or a similar cable.

E. DIP Switch for Network Address

TX3-IP-WIEGAND connects to the TX3 Ethernet network and needs a network address (also called RS-485 address) like other TX3 products. Use DIP switches 1-6 to set the network address.

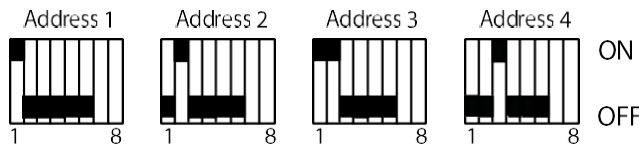


Figure 3. Set the network address

- DIP switch 7: keep off.

- DIP switch 8: Set open (off) to get an IP address from the DHCP server, and set closed (on) to set a fixed IP address using the TX3 Configurator software. The default setting is off.

For more information and the complete list of network addresses, see LT-980, the TX3 Card Access System Manual, on the Mircom website (www.mircom.com) or the USB flash.

F. Power

TX3-IP-WIEGAND can be powered in three ways. Use only one of the power inputs.

- Power over Ethernet (PoE) - use Cat 5 cable
- 12 VDC/15 W - use 18 AWG
- 24-48 VDC/15 W - use 20-18 AWG

G. Example Network Diagram

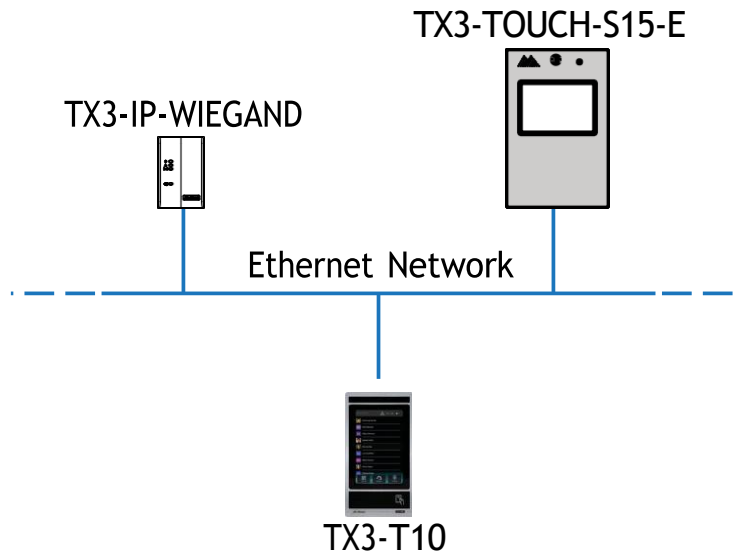


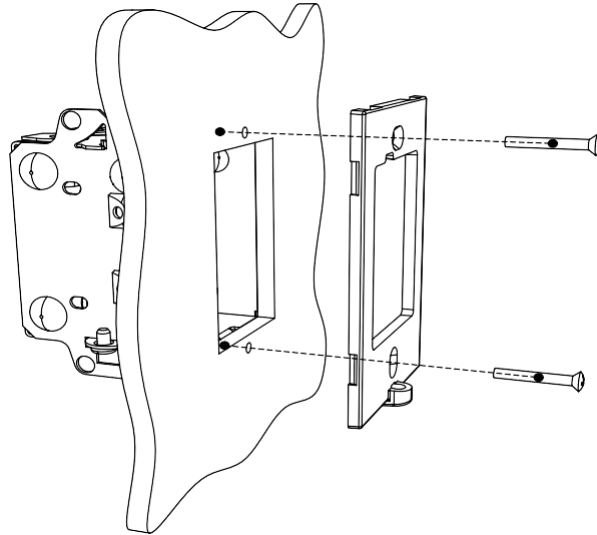
Figure 4. TX3 devices on a Ethernet network with TX3-IP-WIEGAND

H. Mounting

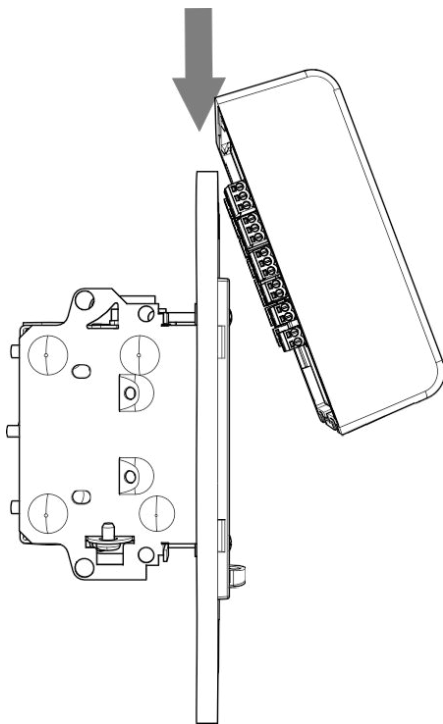
TX3-IP-WIEGAND mounts on a single or dual gang box. Use a dual gang box if you need more room for the wires. If you use a dual gang box, use a single gang box cover to cover the hole.

Mount TX3-IP-WIEGAND the right way up (the Mircom logo is on the bottom).

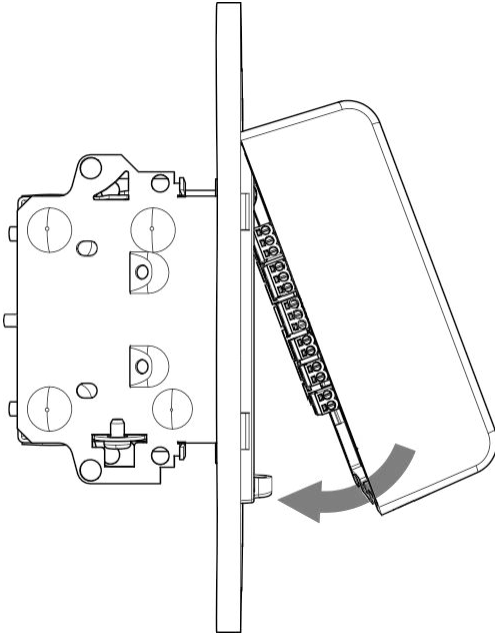
1. Attach the mounting plate to the single gang box with the two provided #6-32 x 1" screws.



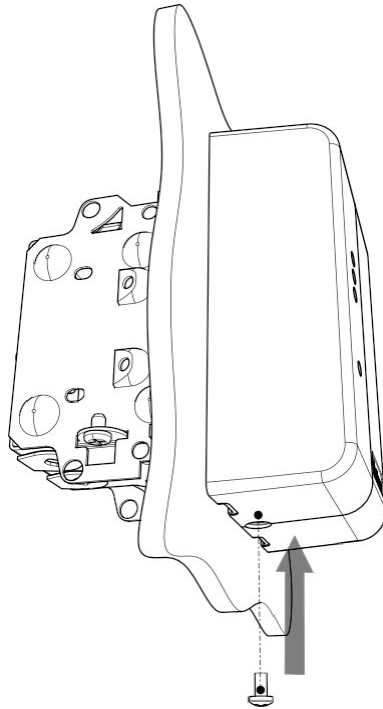
2. Feed the wires through the hole in the mounting plate and connect them to TX3-IP-WIEGAND.
3. Fit the top of the body onto the mounting plate. There are two hooks in the body that fit into grooves in the mounting plate.



4. Press the body on to the mounting plate until you hear a click.

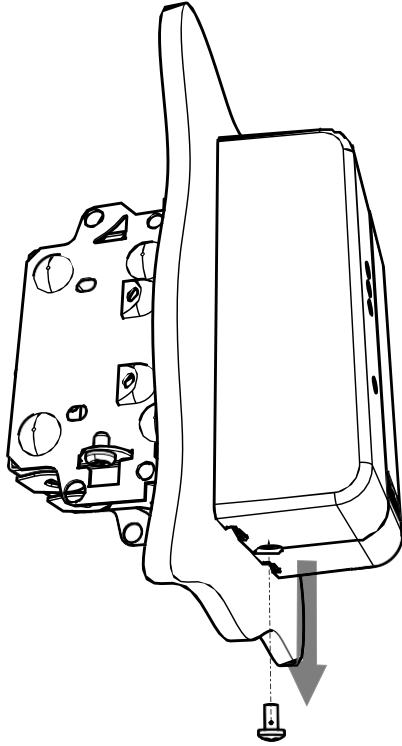


5. Secure the body to the mounting plate with the provided #6-32 x 0.25" screw.



I. Unmounting

1. Remove the screw from the bottom of the unit.



2. Insert a screwdriver into one of the two notches on the boot and use it as a lever to separate the body from the mounting plate.

