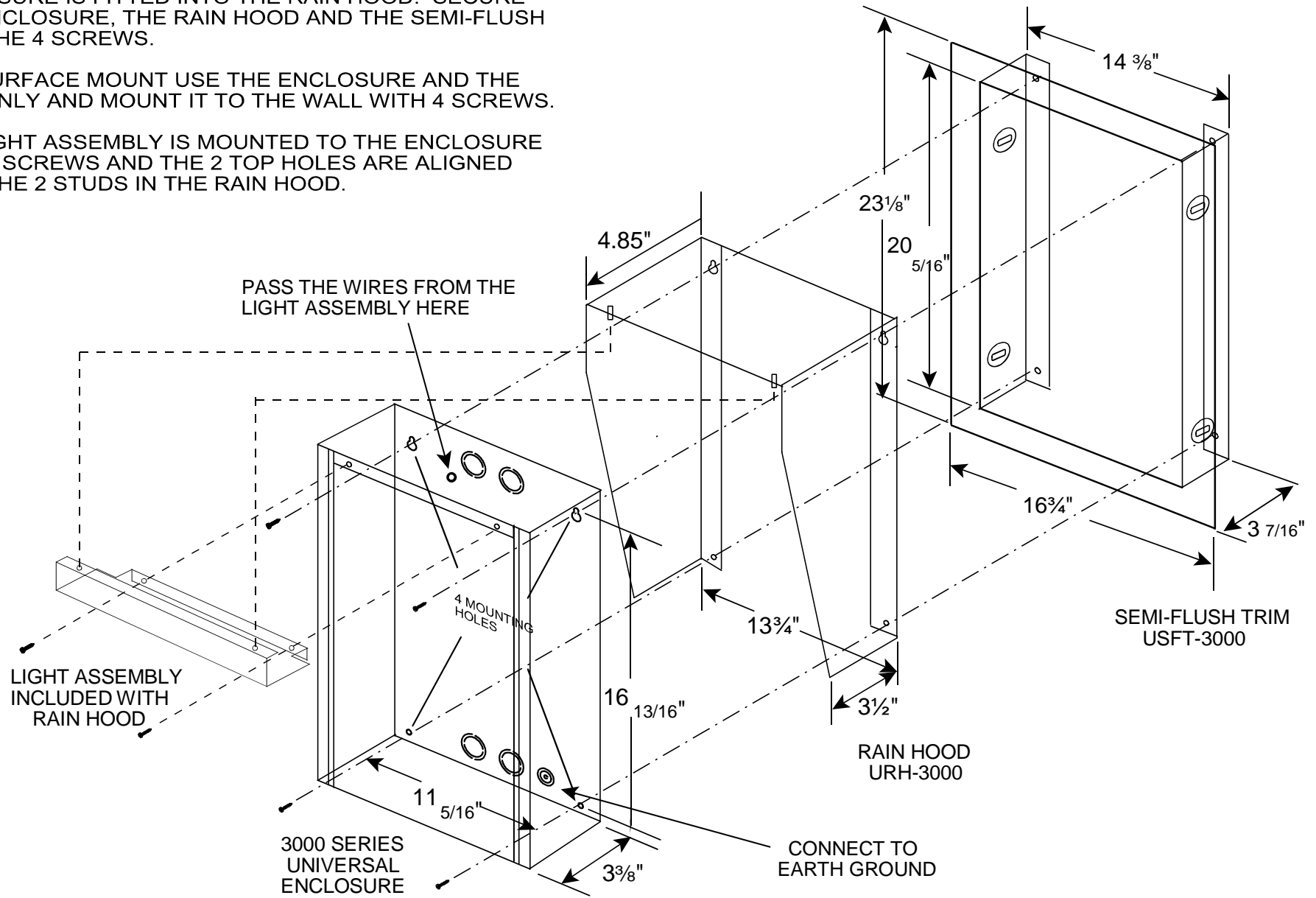


THE SEMI-FLUSH TRIM IS MOUNTED INTO THE WALL, THE RAIN HOOD IS PLACE INSIDE THE TRIM AND THEN THE ENCLOSURE IS FITTED INTO THE RAIN HOOD. SECURE THE ENCLOSURE, THE RAIN HOOD AND THE SEMI-FLUSH TRIM THE 4 SCREWS.

FOR SURFACE MOUNT USE THE ENCLOSURE AND THE RAIN ONLY AND MOUNT IT TO THE WALL WITH 4 SCREWS.

THE LIGHT ASSEMBLY IS MOUNTED TO THE ENCLOSURE WITH 2 SCREWS AND THE 2 TOP HOLES ARE ALIGNED WITH THE 2 STUDS IN THE RAIN HOOD.



INSTALLATION INSTRUCTION FOR URH-3000 RAIN HOOD AND LIGHT ASSEMBLY