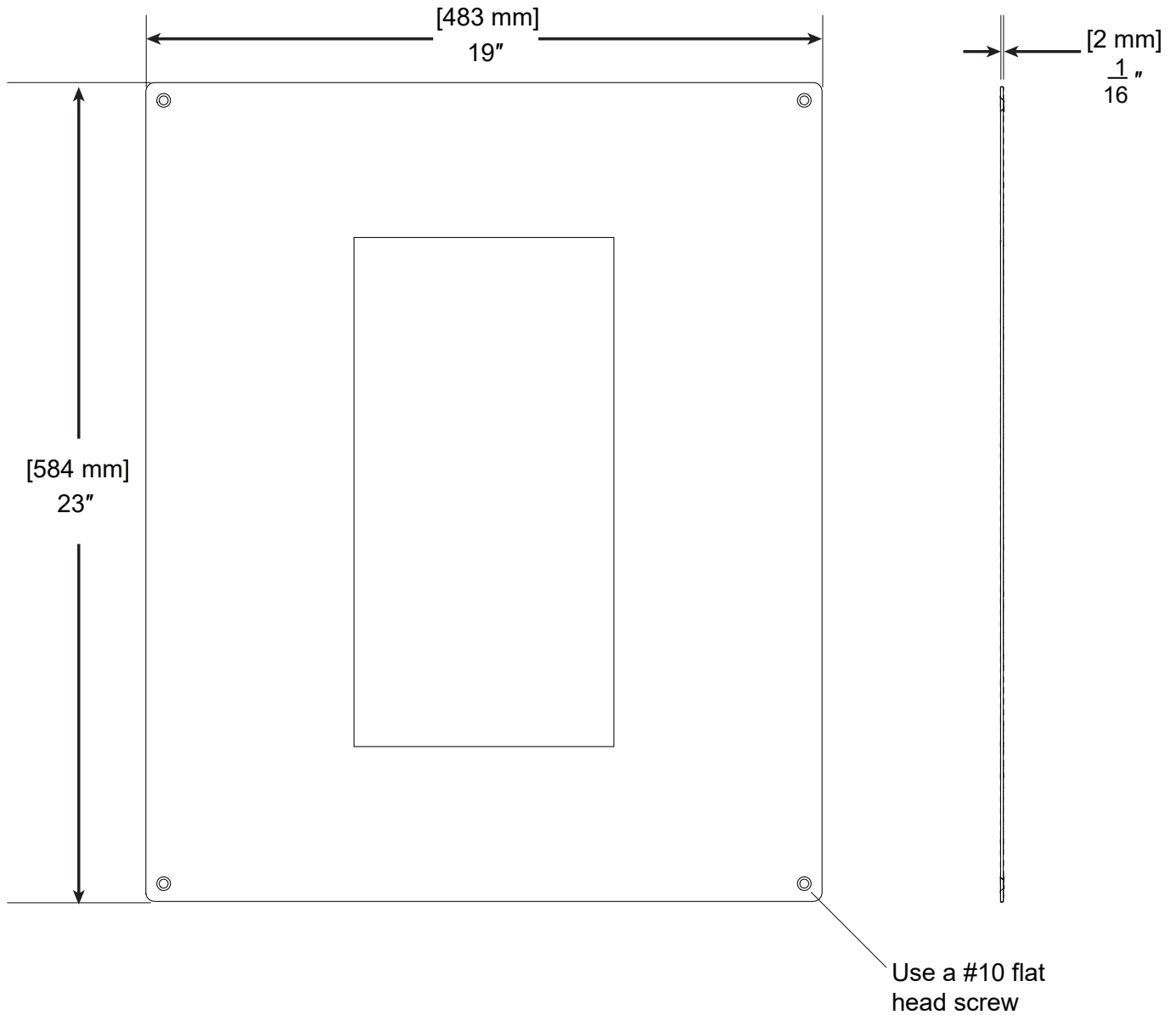


TX3-T10TR15 Dimensions



Mircom
<http://www.mircom.com>

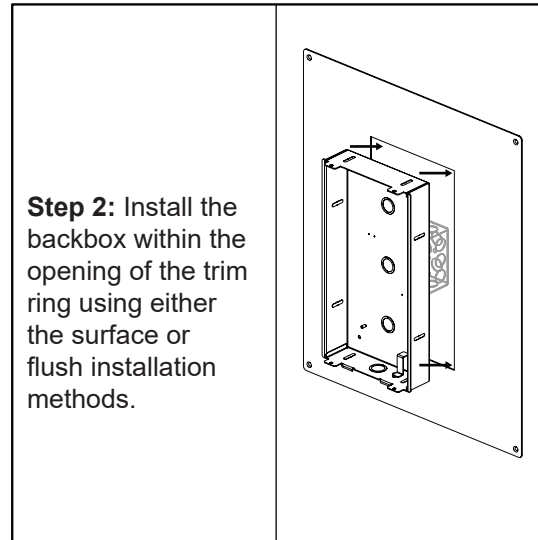
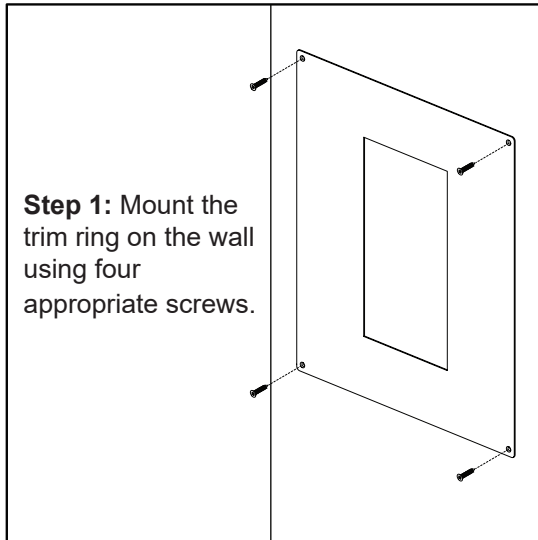
CANADA - Main Office	U.S.A
25 Interchange Way	4575 Witmer Industrial Estates
Vaughan, ON L4K 5W3	Niagara Falls, NY 14305
Tel: (888) 660-4655,	Tel: (888) 660-4655
(905) 660-4655	

For more details, see LT-6766 on the Mircom website and the USB flash.
Mircom technical support: 1-888-647-2665

© Mircom 2026
Printed in Canada
Subject to change without prior notice
LT-6846 rev 0

Installation

Mount the trim ring on the wall using four appropriate screws. Then install the TX3-T10BB backbox within the opening of the trim ring using one of two installation methods: surface installation or flush installation.



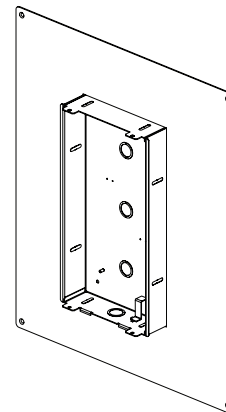
Surface Installation

1. Follow the instructions in LT-6766 (TX3-T10 Installation Manual) on wall cutout and electrical box required.
2. Follow the instructions in LT-6766 to attach the electrical box to TX3-T10BB.
3. Attach the trim ring to the wall using four appropriate screws.
4. Install TX3-T10BB within the opening of the trim ring with the four washers provided with TX3-T10BB and four fasteners appropriate to the wall. Follow the instructions in LT-6766 (TX3-T10 Installation Manual).

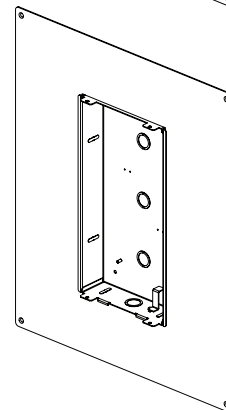
Flush Installation

1. Follow the instructions in LT-6766 (TX3-T10 Installation Manual) on wall cutout and electrical box required.
2. Follow the instructions in LT-6766 to attach the electrical box to TX3-T10BB.
3. Attach the trim ring to the wall using four appropriate screws, ensuring the opening of the trim ring aligns with the wall cutout.
4. Install the backbox within the opening of the trim ring. Follow the instructions in LT-6766 (TX3-T10 Installation Manual).

For detailed instructions on installing the backbox, please refer to LT-6766 (TX3-T10 Installation Manual) on the Mircom website and the USB flash.



**Surface
Installation of
Backbox**



**Flush
Installation of
Backbox**