

THIS DOCUMENT ONLY DESCRIBES MECHANICAL INSTALLATION.

FOR ALL OTHER INFORMATION, REFER TO THE INSTALLATION MANUAL FOR THE FIRE ALARM CONTROL PANEL.

Mechanical Installation

The dimensions of BB-1024XT(R) are 15.05" wide, 35.8" long, 5.43" deep. Figure 1 below shows backbox and door dimensions as well as the trim ring model FA-XT-TRB which is used for flush mounting of the enclosure. The backbox and trim ring is black and the door is available in white model BBX-1024XT and red model BBX-1024XTR. In all other respects, the BBX-1024XT and BBX-1024XTR are the same.

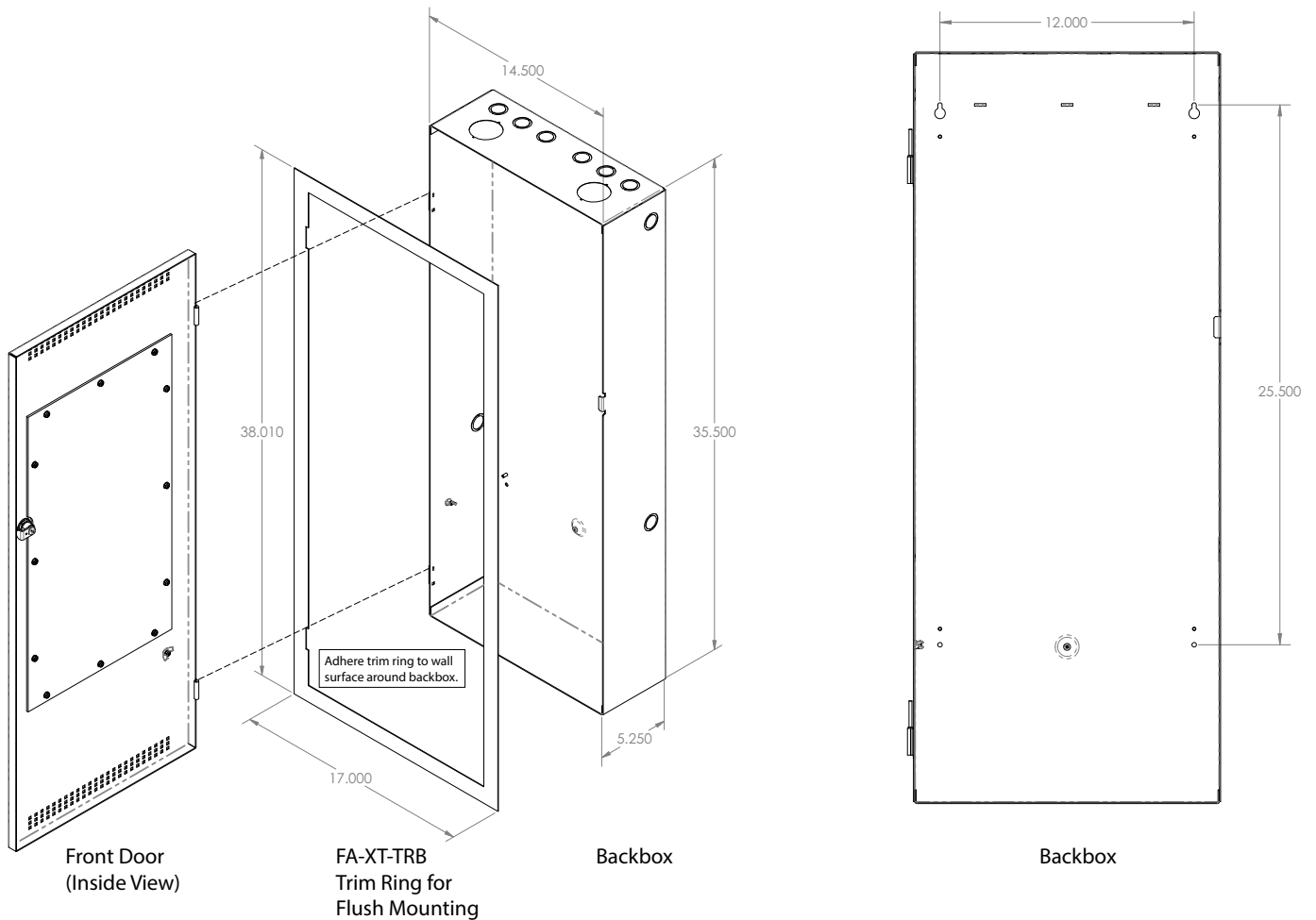


Figure 1: BBX-1024XT(R) Backbox Enclosure with Trim Ring

Mircom
Toll Free: 1-888-660-4655
Local: 905-660-4655
Fax: 905-660-4113
<http://www.mircom.com>

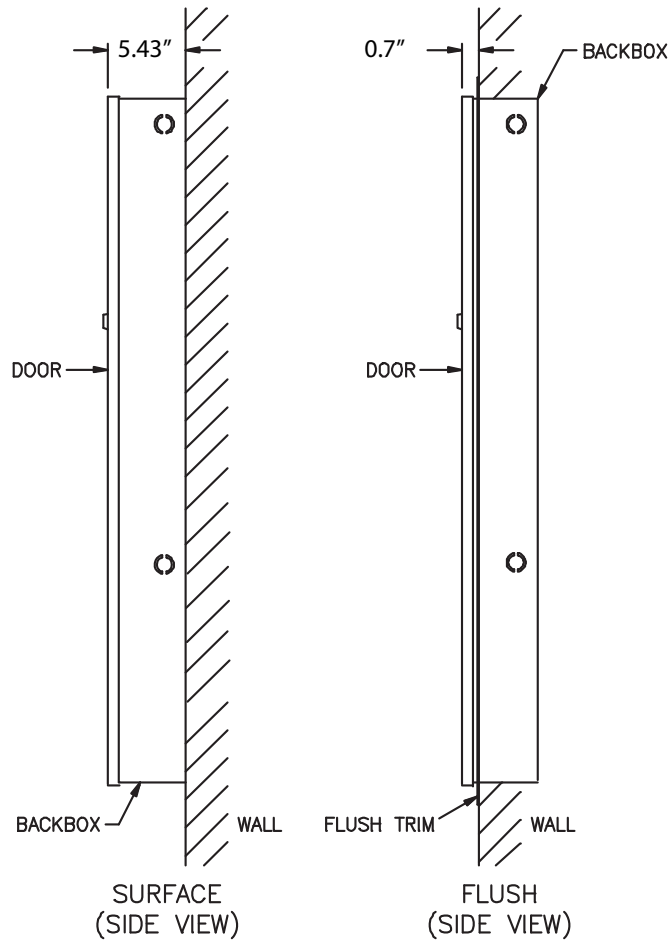


Figure 2: Surface and Flush Mounting Views of the BBX-1024XT(R)

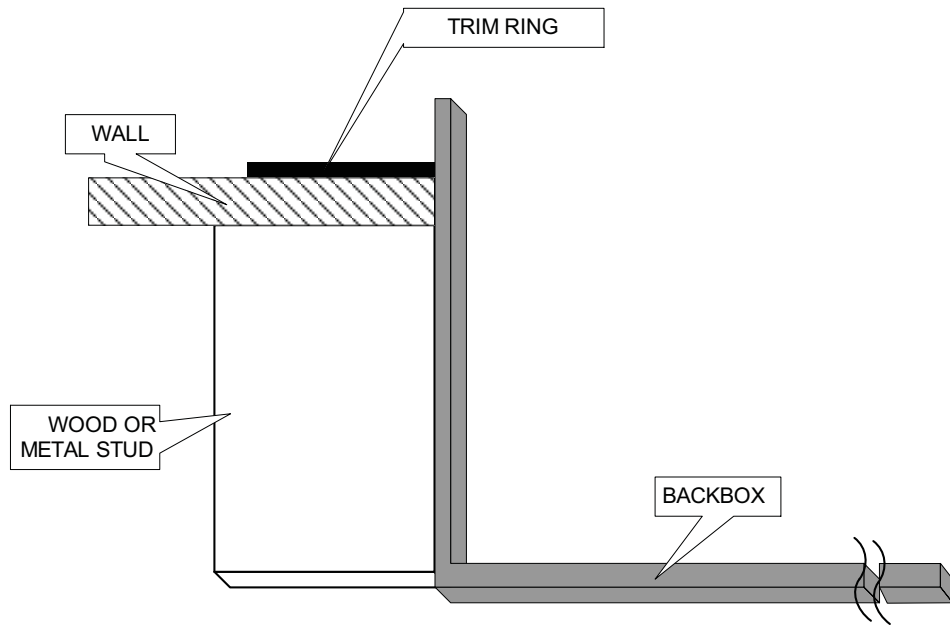


Figure 3: Cross-Section of the BBX-1024XT(R) Flush Mounted Box with FA-XT-TRB Trim Ring

Mounting the Fire Alarm Chassis into the BBX-1024XT(R)

Install the chassis into the BBX-1024XT(R) enclosure as shown below in Figure 4. Use four (4) 8-32 nuts to connect the Chassis to the BBX-1024XT(R). Connect all green ground wires to the dimple in backbox and secure them using a #8 screw. Ensure that this ground connection leads to an earth ground. Connect the battery cables to the batteries. Refer to the fire alarm panel installation manual for more information.

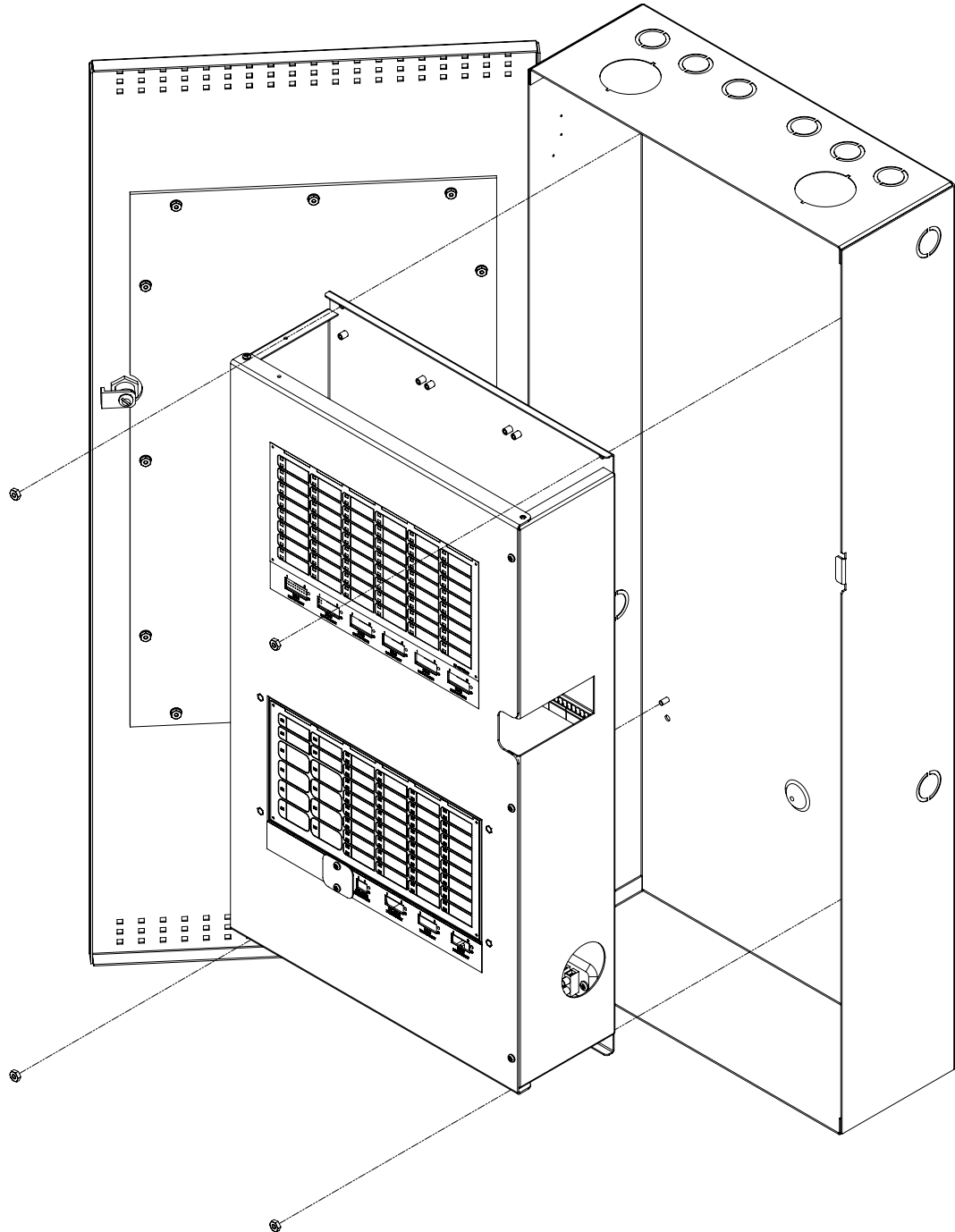


Figure 4: Mounting Fire Alarm Chassis into BBX-1024XT(R)