

TX3-TOUCH-WR-BB Installation Instructions

The TX3-TOUCH-WR-BB backbox is required when the cables are brought to the unit in a conduit (not from the wall).

1. Mount TX3-TOUCH-WR-BB on the wall using fasteners in the 4 mounting holes shown below.
2. Mount TX3-TOUCH-S15B-WR or TX3-TOUCH-S15S-WR on the 4 posts shown below, and secure with the 4 nuts that are included with TX3-TOUCH-WR-BB.
3. To prevent water entering the Touch Screen unit, use an elbow connector to run the wires from one of the knockouts on the back of TX3-TOUCH-S15B-WR or TX3-TOUCH-S15S-WR to the knockout on the bottom of TX3-TOUCH-WR-BB.

Mounting posts for TX3-TOUCH-S15B-WR
or TX3-TOUCH-S15S-WR

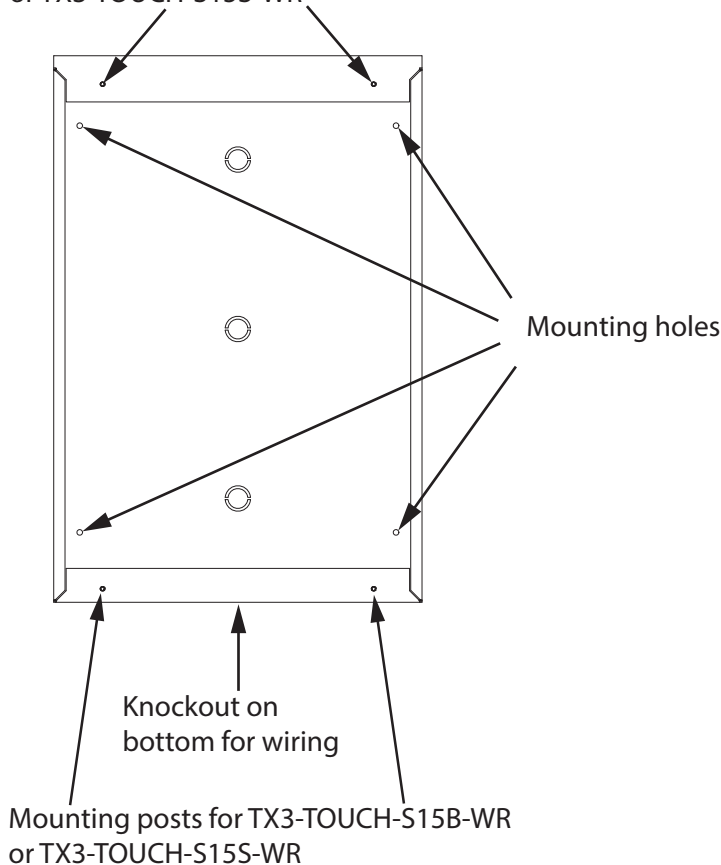


Figure 1. TX3-TOUCH-WR-BB mounting holes and posts

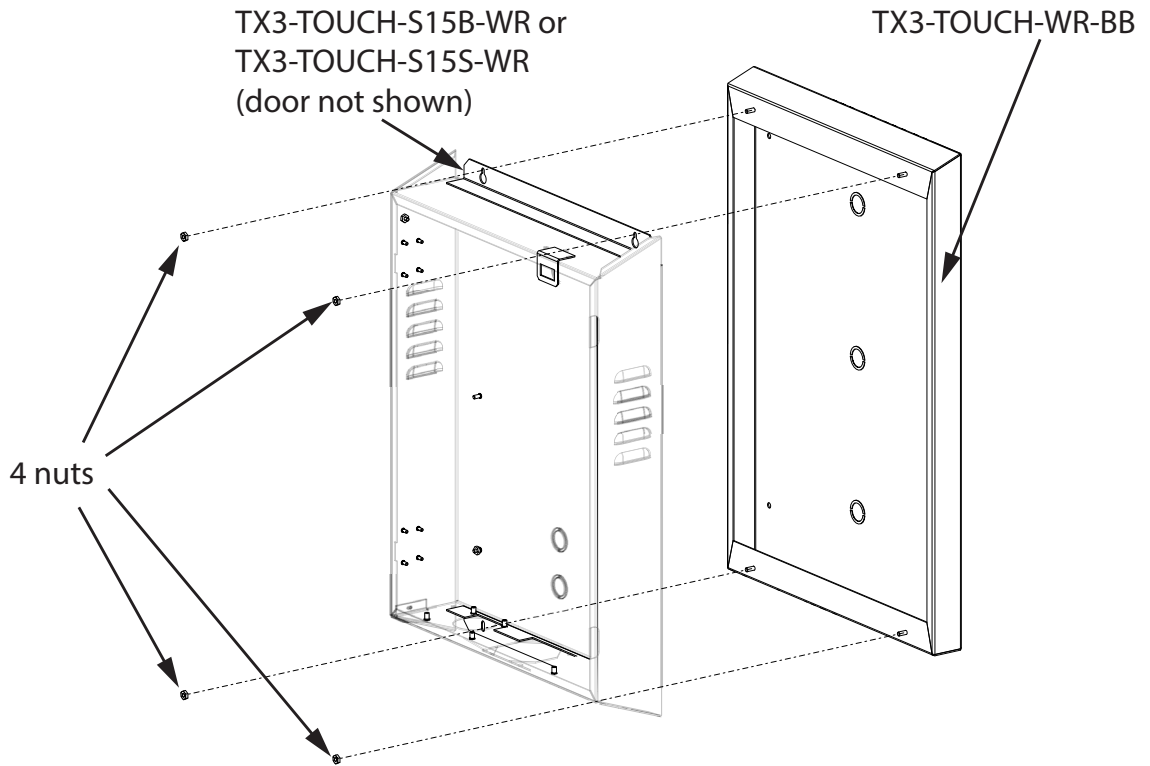


Figure 2. Installing TX3-TOUCH-WR-BB

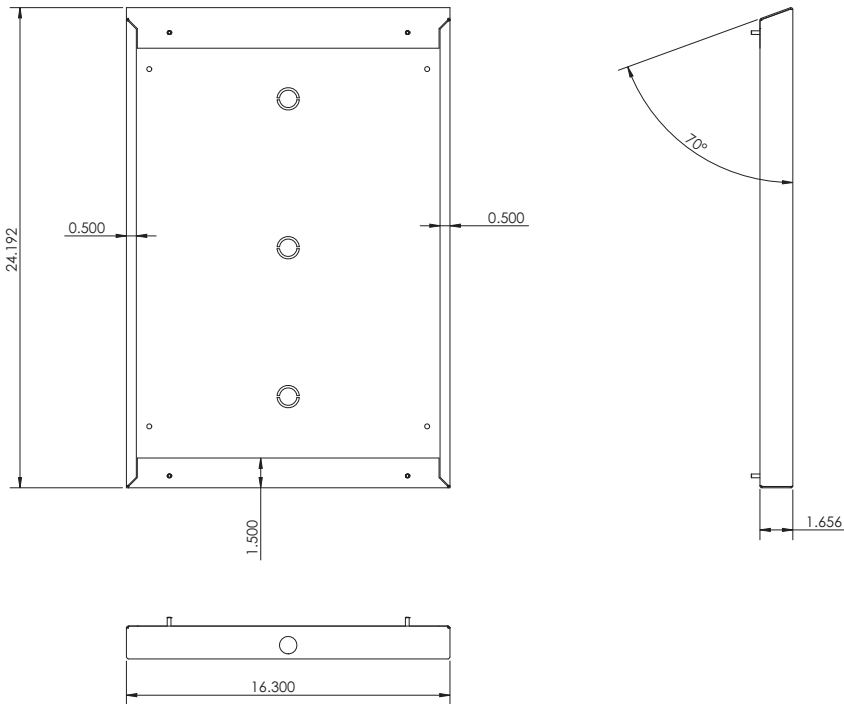


Figure 3. TX3-TOUCH-WR-BB dimensions (inches)

Mircom

<http://www.mircom.com>

Toll Free: 1-888-660-4655

Local: 905-660-4655

Fax: 905-660-4113