

INSTALLATION AND MAINTENANCE INSTRUCTIONS

SPPS-204 SERIES WALL SPEAKER-STROBE

SPP-204 SERIES WALL SPEAKER

CAUTION / ATTENTION

DO NOT PAINT OR ALTER FACTORY APPLIED FINISH IN ANY WAY
 NE PAS PEINDRE OU MODIFIER LA FINITION ORIGINALE

ABOUT THIS MANUAL

This manual is included as a quick reference for installation. For further information on the use of this device with a FACP, please refer to the panel's manual.

Note: This manual should be left with the owner/operator of this equipment.

SPEAKER/SPEAKER STROBE DESCRIPTION

The SPPS-204 speaker-strobe is designed to meet UL1480/ULC S541 requirements for speakers and UL1638 /ULC S526, UL 1638A/CSA C22.2 No.205 requirements for visual notification appliances. The SPP-204 speaker is designed to meet UL1480/ULC S541 requirements for speakers.

FIGURE 1: MODEL FRONT:

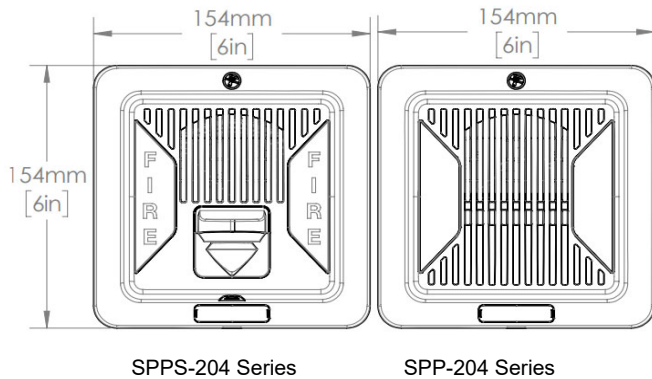


Table 1: SPECIFICATIONS

Operating temperature	0°C to 49°C (32°F to 122°F)
Humidity range	0% to 93%
Strobe flash rate	1 Hz (1 flash per sec.)*
Nominal strobe voltage	Regulated 24VDC/VFWR
Operating voltage range	16-33 VDC/VFWR
Nominal speaker voltage	25V or 70.7Vrms
Speaker Size	4"
Power Setting	¼, ½, 1, 2 W
Speaker Frequency range	400 -4000 Hz
Terminal wire gauge	12-22 AWG

*Note: For FWR signaling use an MGC panel.

SETTING THE CANDELA (SPPS series only)

The candela can be set to 15, 30, 75, 110, 185, 15/75 for SPPS-204-25 and SPPS-204-70 models.

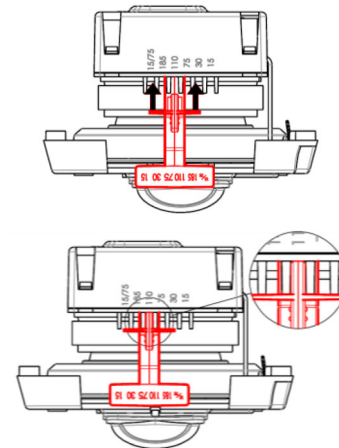
Note: 185cd setting is for General Signaling only.

The factory default setting is 15 for SPPS-204-25/70.

1. Pull out the candela selector from the device.
2. Re-insert the selector tab into the notch that is labeled with the desired candela setting (when removing or inserting the candela selector, ensure to keep it straight).

Note: Select the candela setting prior to installing the device in the mounting plate.

FIGURE 2: INSERTING CANDELA SELECTOR



SETTING THE DIP SWITCHES

FIGURE 3: DIP SWITCH

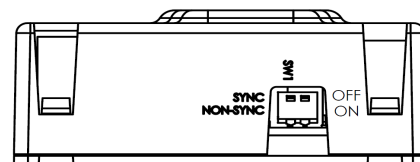


Table 2: DIP SWITCH

DIP		OFF	ON
Switch 1	Input*	Synchronized	Regulated 24VDC/ FWR (Non-sync.)

*Note: Use "SYNC" when flash synchronization is required, either through a sync module or built-in synchronization on the control unit.

Use "NON-SYNC" when the appliances do not need to be synchronized.

Note: DIP switch 1 default setting is OFF, synchronized.

Note: DIP switch 2 is not used. By default it is OFF.

AUDIBLE RATINGS

Table 3: SOUND PRESSURE LEVEL OUTPUT

SPPS-204 SERIES				
WATT Tap	UL Reverberant (dBA@10ft)		ULC Anechoic (dBA@3m)	
	70	25	70	25
2	88.4	88.4	86.5	85.8
1	86.1	86.3	83.9	83.5
1/2	83.4	83.6	81.1	80.7
1/4	80.1	80.3	77.9	77.5
SPP-204 SERIES				
WATT Tap	UL Reverberant (dBA@10ft)		ULC Anechoic (dBA@3m)	
	70	25	70	25
2	88.5	88.5	85.5	86.5
1	86.2	86.5	81.9	83.1
1/2	83.4	83.7	79.2	80.3
1/4	80.2	80.5	76.0	76.9

Table 4: DIRECTIONAL SOUND CHARACTERISTICS

(Representative of both horizontal and vertical Axis)

SPPS-204 SERIES	
ANGLE	dBA
+76°, -75°	-3
+--°, -87°	-6
±90°	-6.3
SPP-204 SERIES	
ANGLE	
±80°	-3
±--°	-6
±90°	-5.3

STROBE RATINGS

Table 5: STROBE OPERATING RMS CURRENTS (mA)

Candela	Regulated 24VDC	Regulated 24VFWR
15	33	27
30	55	53
75	98	93
110	193	177
185	268	241
15/75	102	98

Table 6: LIGHT DISPERSION

Degrees	% of Candela Rating	
	Horizontal Dispersion	Vertical Dispersion, Wall to Floor
± 0	155	150
± 5	147	152
± 10	145	168
± 15	140	152
± 20	135	110
± 25	131	100
± 30	124	97
± 35	116	92
± 40	105	88
± 45	99	74
± 50	95	66
± 55	92	62
± 60	88	57
± 65	84	53
± 70	78	49
± 75	82	44
± 80	86	37
± 85	80	32
± 90	53	25
Compound ±45	39	

Note: The values in Table 6 are shown as percentages of the rated light output at any candela setting.

Model Numbers

SPPS-204-25 Wall mounted speaker strobe 25V white

SPPS-204-70 Wall mounted speaker strobe 70V white

SPPS-204-25R Wall mounted speaker strobe 25V red

SPPS-204-70R Wall mounted speaker strobe 70V red

SPP-204-25 Wall mounted speaker 25V white

SPP-204-70 Wall mounted speaker 70V white

SPP-204-25R Wall mounted speaker 25V red

SPP-204-70R Wall mounted speaker 70V red

Accessories

MP-300 End of line resistor 3.9k Ohm