



25 Interchange way, Vaughan, Ontario. L4K 5W3
 Phone: 905.660.4655; Fax: 905.660.4113
 Web: www.mircom.com

INSTALLATION AND MAINTENANCE INSTRUCTIONS

SPPS-204 Series Wall Speaker-Strobe
SPP-204 Series Wall Speaker

CAUTION / ATTENTION
 DO NOT PAINT OR ALTER FACTORY APPLIED FINISH IN ANY WAY
 NE PAS PEINDRE OU MODIFIER LA FINITION ORIGINALE

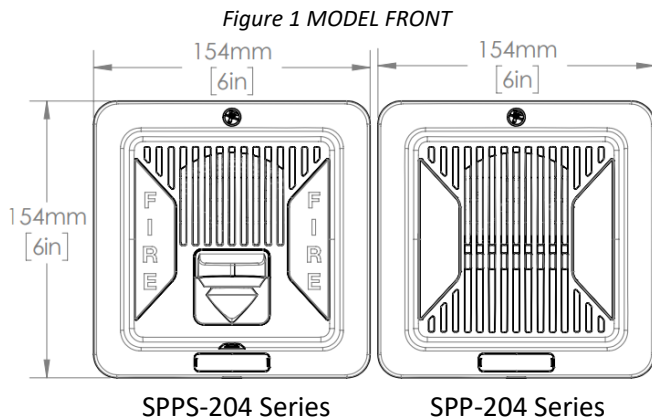
ABOUT THIS MANUAL

This manual is included as a quick reference for installation. For further information on the use of this device with a FACP, please refer to the panel's manual.

Note: This manual should be left with the owner/operator of this equipment.

SPEAKER/SPEAKER STROBE DESCRIPTION

The SPPS-204 speaker-strobe is designed to meet UL1480/ULC S541 requirements for speakers and UL1638 /ULC S526, UL 1638A/CSA C22.2 No.205 requirements for visual notification appliances. The SPP-204 speaker is designed to meet UL1480/ULC S541 requirements for speakers.



SETTING THE CANDELA (SPPS series only)

The candela can be set to 15, 30, 75, 110, 185, 15/75 for SPPS-204-25 and SPPS-204-70 models.

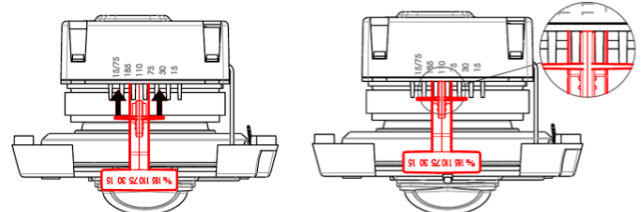
Note: 185cd setting is for General Signaling only.

The factory default setting is 15 for SPPS-204-25/70.

1. Pull out the candela selector from the device.
2. Re-insert the selector tab into the notch that is labeled with the desired candela setting (when removing or inserting the candela selector, ensure to keep it straight).

Note: Select the candela setting prior to installing the device in the mounting plate

Figure 2 INSERTING CANDELA SELECTOR



SETTING THE DIP SWITCHES

Figure 3 DIP SWITCH

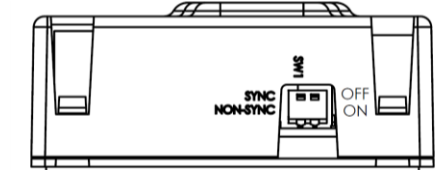


Table 1 SPECIFICATION

Operating temperature	0°C to 49°C (32°F to 122°F)
Humidity range	0% to 93%
Strobe flash rate	1 Hz (1 flash per sec.)*
Nominal strobe voltage	Regulated 24VDC/VFWR
Operating voltage range	16-33 VDC/VFWR
Nominal speaker voltage	25V or 70.7Vrms
Speaker Size	4"
Power Setting	¼, ½, 1, 2 W
Speaker Frequency range	400 -4000 Hz
Terminal wire gauge	12-22 AWG

Table 2 DIP SWITCH

DIP		OFF	ON
Switch 1	Input*	Synchronized	Regulated 24VDC /FWR (Non-sync.)

*Note: Use "SYNC" when flash synchronization is required, either through a sync module or built-in synchronization on the control unit.

Use "NON-SYNC" when the appliances do not need to be synchronized.

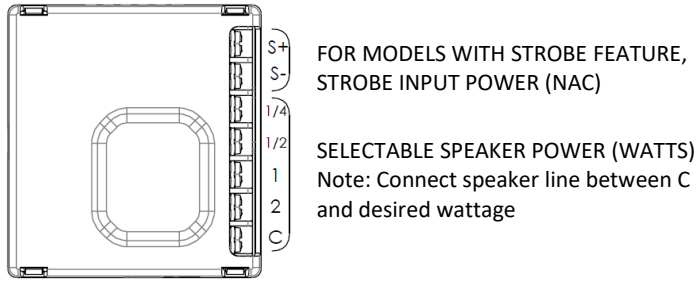
Note: DIP switch 1 default setting is OFF, synchronized.

Note: DIP switch 2 is not used. By default it is OFF.

*Note: For FWR signaling use a Mircom panel.

WIRING

Figure 4 WIRING TAPS



Note: This device should be installed as per applicable requirements of the authorities having jurisdiction.

Use the information in this document to determine the total power or current of the devices. The total power or current of the devices must not exceed the output rating of the panel. Refer to the FACP installation guide for the wire size required according to the loop length and devices power usage. For maximum strobe operating current, please refer to Table 5.

***Note:** When using with Mircom panel or sync module, use MP-300 (3.9K).

Note: Wiring must be in accordance with CSA C22.1, Canadian Electrical Code, Part I, Safety Standard for Electrical Installations section 32 and NFPA 70.

CAUTION

FOR ALL TERMINAL TAPS USED FOR SYSTEM SUPERVISION, DO NOT USE LOOPED WIRE UNDER TERMINALS. BREAK WIRE RUN TO PROVIDE SUPERVISION OF CONNECTIONS.

ATTENTION

NE PAS UTILISER DE FILS EN BOUCLE SOUS LES BORNES. OUVRIR LA LIGNE POUR CONFIRMER LA SUPERVISION DES CONNEXIONS.

MOUNTING

MGC recommends spacing speaker strobe appliances in compliance with CAN/ULC S524 and NFPA72.

1. Attach the mounting plate to the electrical box with the 2 included mounting screws.
2. Insert the device to the mounting plate with 2 screws.
3. Attach the top cover with the included securing screw and snap the nameplate over the securing screw.

Note. Select the candela setting prior to installing the device in the mounting plate.

Figure 5 DEVICE CONNECTION

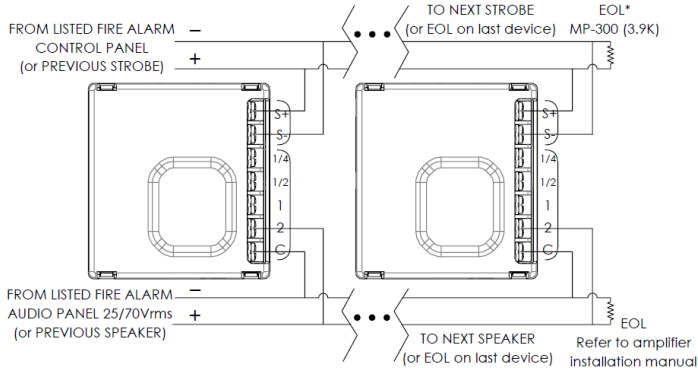
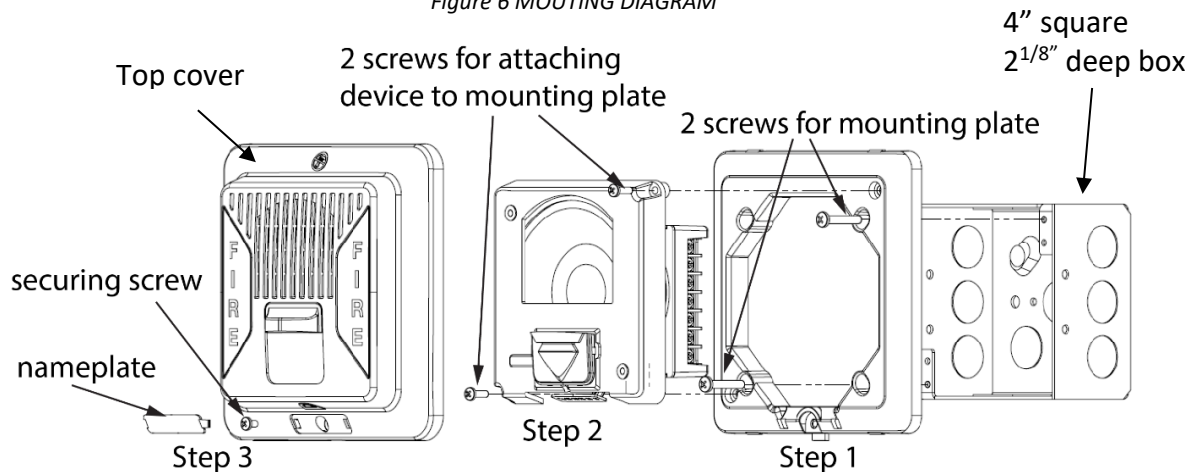


Figure 6 MOUNTING DIAGRAM





25 Interchange way, Vaughan, Ontario. L4K 5W3
 Phone: 905.660.4655; Fax: 905.660.4113
 Web: www.mircom.com

AUDIBLE RATINGS

Table 3 SOUND PRESSURE LEVEL OUTPUT

SPPS-204 SERIES				
WATT Tap	UL Reverberant (dBA@10ft)		ULC Anechoic (dBA@3m)	
	70	25	70	25
2	88.4	88.4	86.5	85.8
1	86.1	86.3	83.9	83.5
1/2	83.4	83.6	81.1	80.7
1/4	80.1	80.3	77.9	77.5
SPP-204 SERIES				
WATT Tap	UL Reverberant (dBA@10ft)		ULC Anechoic (dBA@3m)	
	70	25	70	25
2	88.5	88.5	85.5	86.5
1	86.2	86.5	81.9	83.1
1/2	83.4	83.7	79.2	80.3
1/4	80.2	80.5	76.0	76.9

Table 4 DIRECTIONAL SOUND CHARACTERISTICS
 (Representative of both horizontal and vertical Axis)

SPPS-204 SERIES	
ANGLE	dBA
+76°, -75°	-3
+--°, -87°	-6
±90°	-6.3
SPP-204 SERIES	
ANGLE	dBA
±80°	-3
±--°	-6
±90°	-5.3

STROBE RATINGS

Table 5 STROBE OPERATING RMS CURRENTS (mA)

Candela	Regulated 24VDC	Regulated 24VFWR
15	33	27
30	55	53
75	98	93
110	193	177
185	268	241
15/75	102	98

Table 6 LIGHT DISPERSION

Degrees	% of Candela Rating	
	Horizontal Dispersion	Vertical Dispersion, Wall to Floor
± 0	155	150
± 5	147	152
± 10	145	168
± 15	140	152
± 20	135	110
± 25	131	100
± 30	124	97
± 35	116	92
± 40	105	88
± 45	99	74
± 50	95	66
± 55	92	62
± 60	88	57
± 65	84	53
± 70	78	49
± 75	82	44
± 80	86	37
± 85	80	32
± 90	53	25
Compound ±45	39	

Note. The values in Table 6 are shown as percentages of the rated light output at any candela setting.

Model Numbers

SPPS-204-25 Wall mounted speaker strobe 25V white

SPPS-204-70 Wall mounted speaker strobe 70V white

SPPS-204-25R Wall mounted speaker strobe 25V red

SPPS-204-70R Wall mounted speaker strobe 70V red

SPP-204-25 Wall mounted speaker 25V white

SPP-204-70 Wall mounted speaker 70V white

SPP-204-25R Wall mounted speaker 25V red

SPP-204-70R Wall mounted speaker 70V red

Accessories

MP-300 End of line resistor 3.9k Ohm