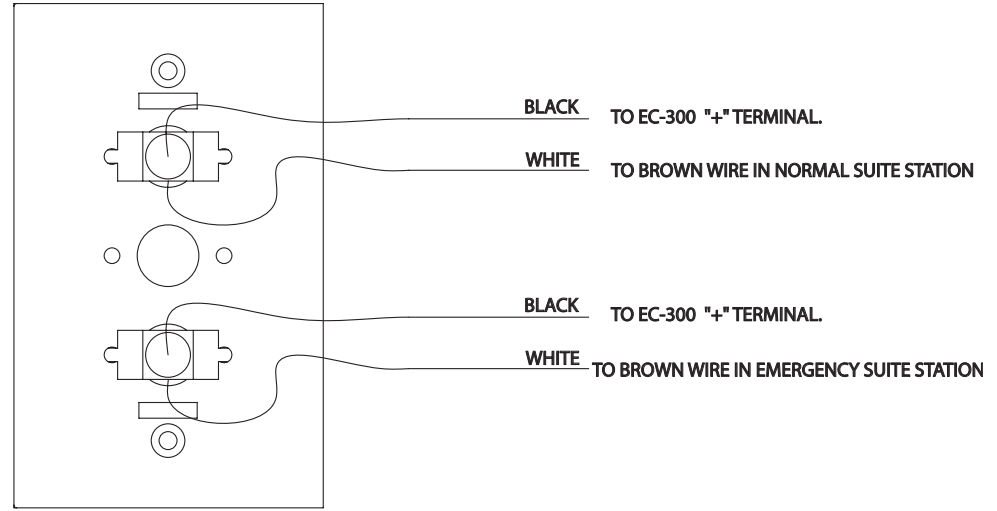
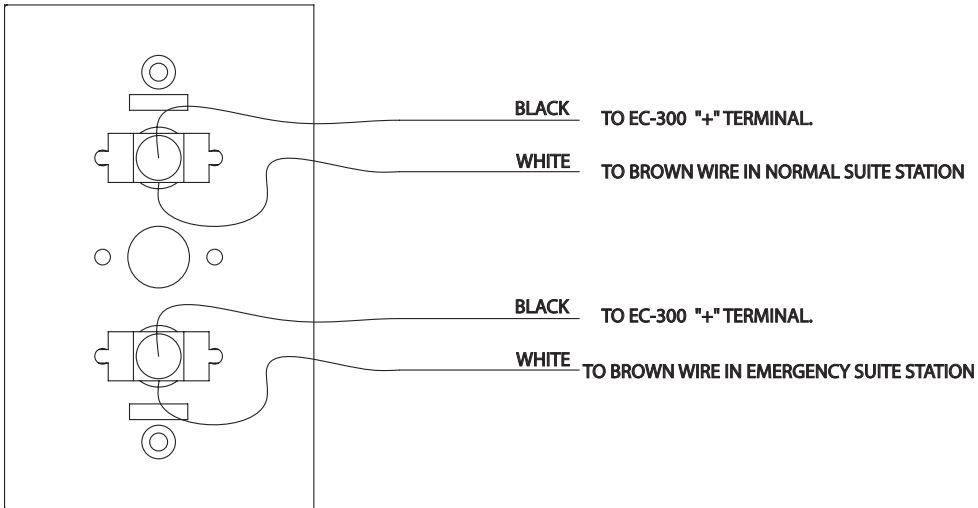


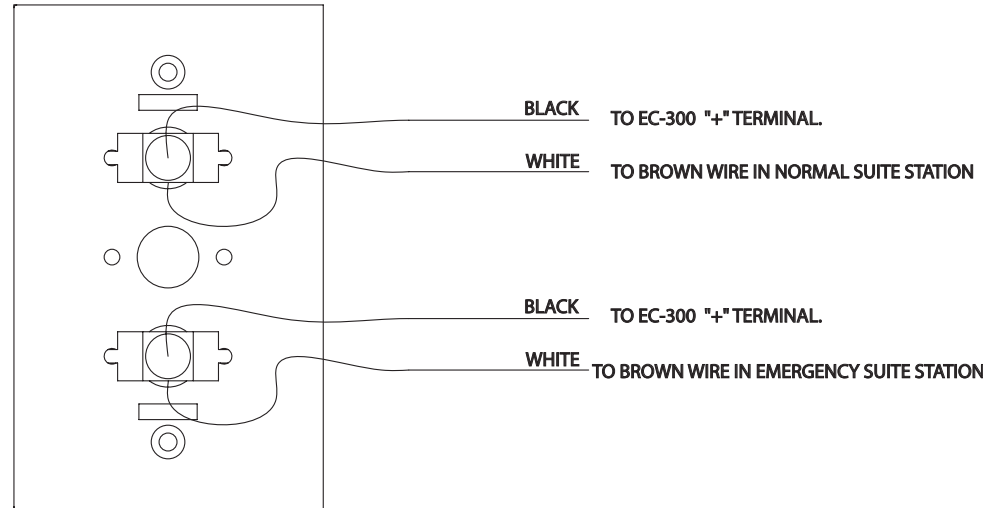
VIEW IS BACK OF EC-106 COVER PLATE



VIEW IS BACK OF EC-106 COVER PLATE



VIEW IS BACK OF EC-106 COVER PLATE



VIEW IS BACK OF EC-106 COVER PLATE