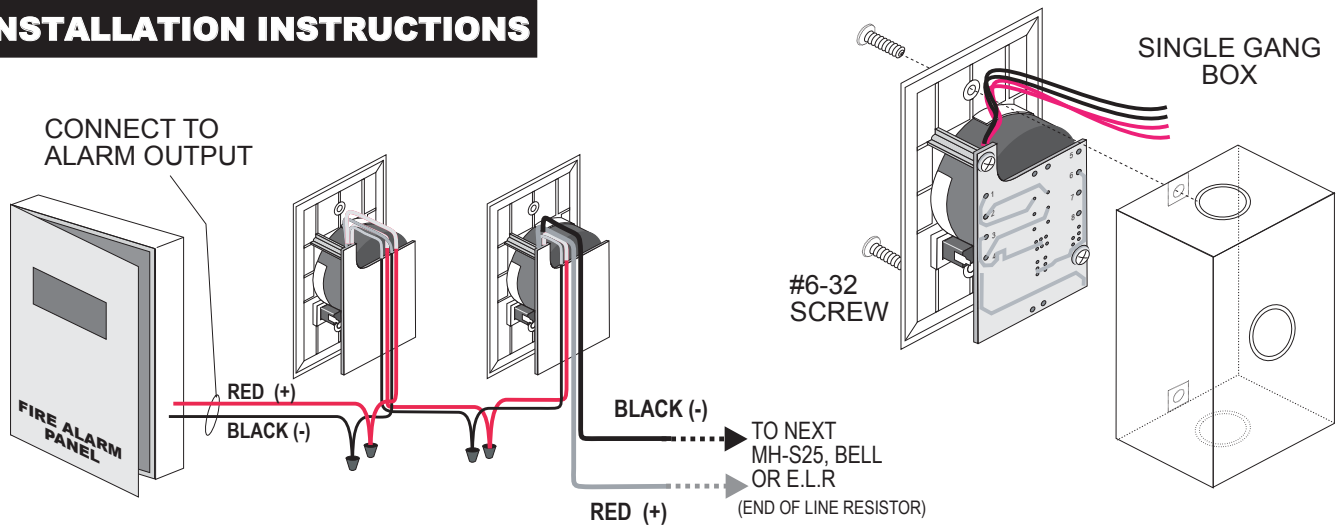


# MINI HORN REMOTE SILENCEABLE SIGNALING DEVICE

**MH-S25R** (RED)  
**MH-S25W** (WHITE)

## INSTALLATION INSTRUCTIONS



## SPECIFICATIONS

RATED VOLTAGE	16-33Vdc Regulated 24Vdc/fwr		
RATED CURRENT	62 mA		
OVERALL SOUND PRESSURE LEVEL (dBA, anechoic)	<b>TONE</b>	<b>@ 16 V</b>	<b>@ 33 V</b>
	Continuous	78	82
	Temporal (via FACP)	83	86
DIRECTIONAL CHARACTERISTIC (represents both horizontal and vertical axes)	<b>ANGLE</b>	<b>OSPL (dBA)</b>	
	0° (on-axis)	0 (ref)	
	-90° & 90°	-3	

Sound Level in the indoor installation may vary depending upon the space surroundings

Devices are intended for dwelling use ONLY

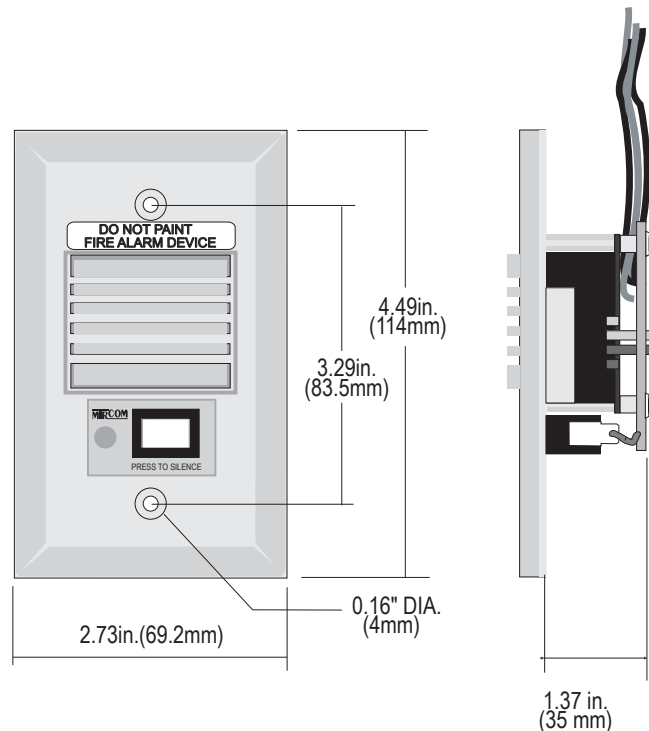
Mircom does not recommend any changes to the factory applied finish

**SILENCING TIME 9 TO 10 MINUTES**

**Operating temperature:** -20°C ~ +60°C (-4°F ~ +140°F)

**Current:** 15.5mA STBY

## DIMENSIONS



LISTED AUDIBLE  
 SIGNAL APPLIANCE  
 FIRE ALARM  
 63Y0



MIRCOM TECHNOLOGIES LTD.  
 25 INTERCHANGE WAY,  
 VAUGHAN (TORONTO), ONTARIO L4K 5W3  
 TEL: (905)660-4655 FAX: (905) 660-4113

**U.S. DISTRIBUTION CENTRE**  
 MIRCOM TECHNOLOGIES LTD.  
 4575 WITMER INDUSTRIAL ESTATES  
 NIAGARA FALLS, NY 14305  
 TEL: (888)660-4655 FAX: (888) 660-4113

**LT-839A**  
 Rev.8, May 2014

website: <http://www.mircom.com>

email: [mail@mircom.com](mailto:mail@mircom.com)