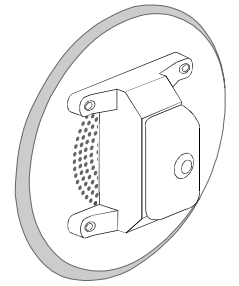


SPS-204A-25
25V 4" SQUARE SPEAKER
SPS-204A-70
70V 4" SQUARE SPEAKER

SPECIFICATIONS

SPEAKER STROBE SIGNALING DEVICES

SPS-104A-25
25V 4" ROUND SPEAKER
SPS-104A-70
70V 4" ROUND SPEAKER



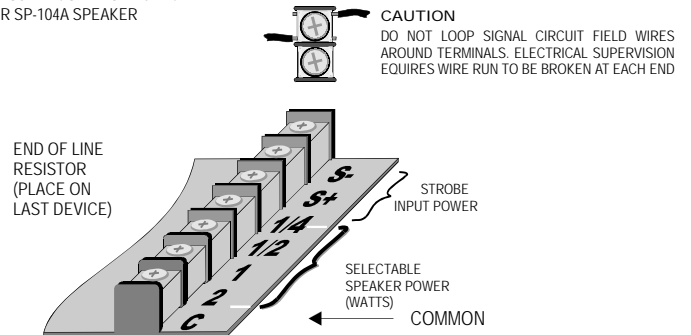
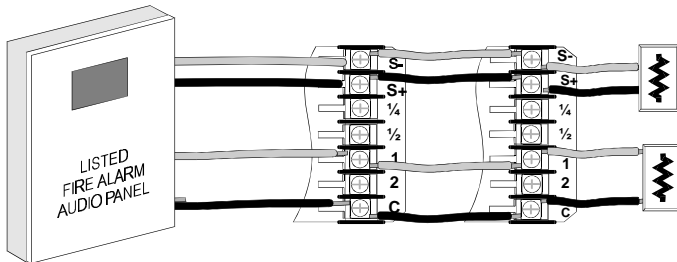
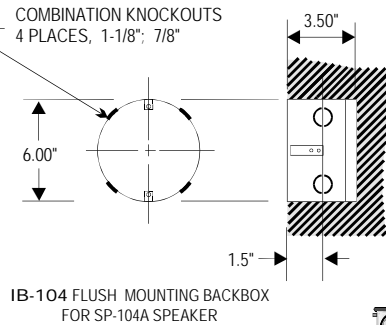
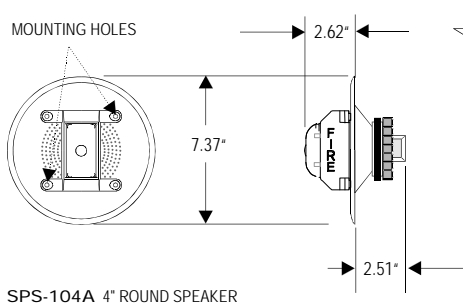
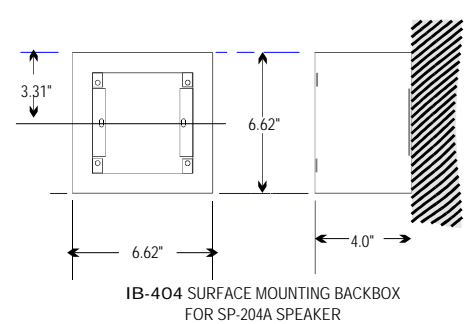
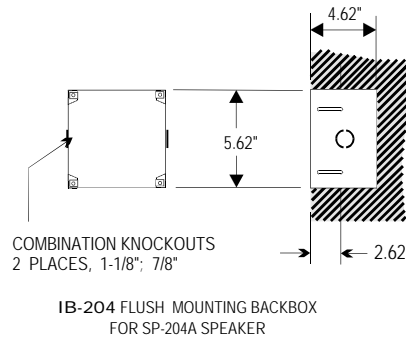
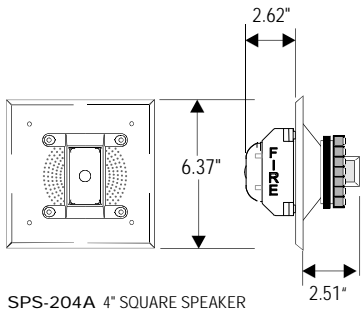
SPEAKER	INOUT VOLTAGE	POWER TAPS				COIL IMPEDANCE	UL FREQUENCY RANGE	SPEAKER FREQUENCY RANGE	BUFFEL COLOR
		0.25W	0.5W	1W	2W				
SPS-104A-25	25V RMS	85db	86db	89db	91db	8 ohms	400 Hz TO 4000 Hz	320 Hz TO 11000 Hz	OFF WHITE STEEL BUFFLE
SPS-104A-70	70V RMS								
SPS-204A-25	25V RMS								
SPS-204A-70	70V RMS								

dBA at 10 ft. (3m) as measured in reverberant room per UL 1480. Meets or exceeds 85 dBA at 10 ft.(3m) in an anechoic chamber using highest wattage tap per ULC-S541-1987

Current Draw Table for STROBE only:

	Average Current (mA) 24 volt models						Peak Current (mA) 24 volt models						In-Rush Current (mA) 24 volt models					
	19.2V		24V		26.4V		19.2V		24V		26.4V		19.2V		24V		26.4V	
	DC	FWR	DC	FWR	DC	FWR	DC	FWR	DC	FWR	DC	FWR	DC	FWR	DC	FWR	DC	FWR
15/75	105	132	86	111	79	107	189	225	154	220	140	220	232	260	248	280	256	288
30/120	144	164	114	132	104	125	213	245	175	235	163	235	236	264	252	350	260	293

The strobes are listed for indoor use with a temperature operating range of 32 F ~ 120 F (0 C ~ 49 C).



ROUND AND SQUARE BAFFLE
STROBE/SPEAKER
INSTALLATION INSTRUCTION

DRAWN: J.ZARADIC	DATE: 21 NOV 99	REV: 0
APPROVED:	DWG: LT-848	