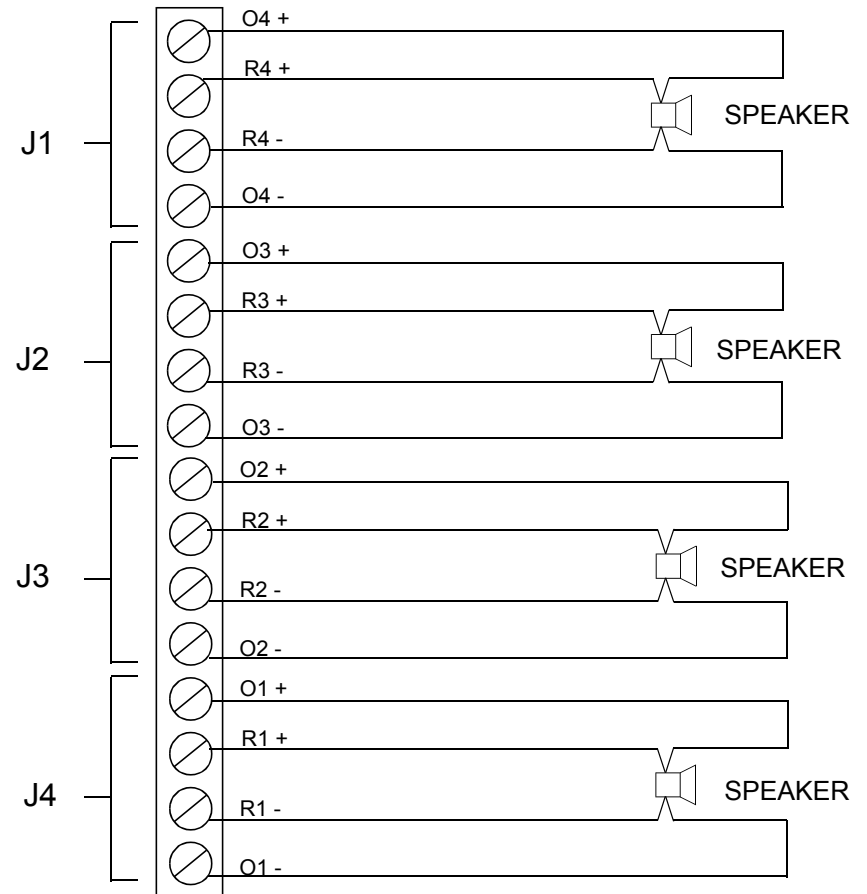


NOTES:

1. TO WIRE QAA-4CLA, REMOVE TERMINAL FROM QAA-5415 AMPLIFIER CONNECT TO QAA-4CLA AND SCREW DOWN. WIRE THE FOUR CLASS A CIRCUITS TO THE 16 TERMINALS AS SHOWN IN DIAGRAM AT RIGHT.
2. ALL CIRCUITS ARE POWER LIMITED
3. 15 WATTS MAX. PER ZONE



QAA-4CLA  
TERMINAL BLOCK