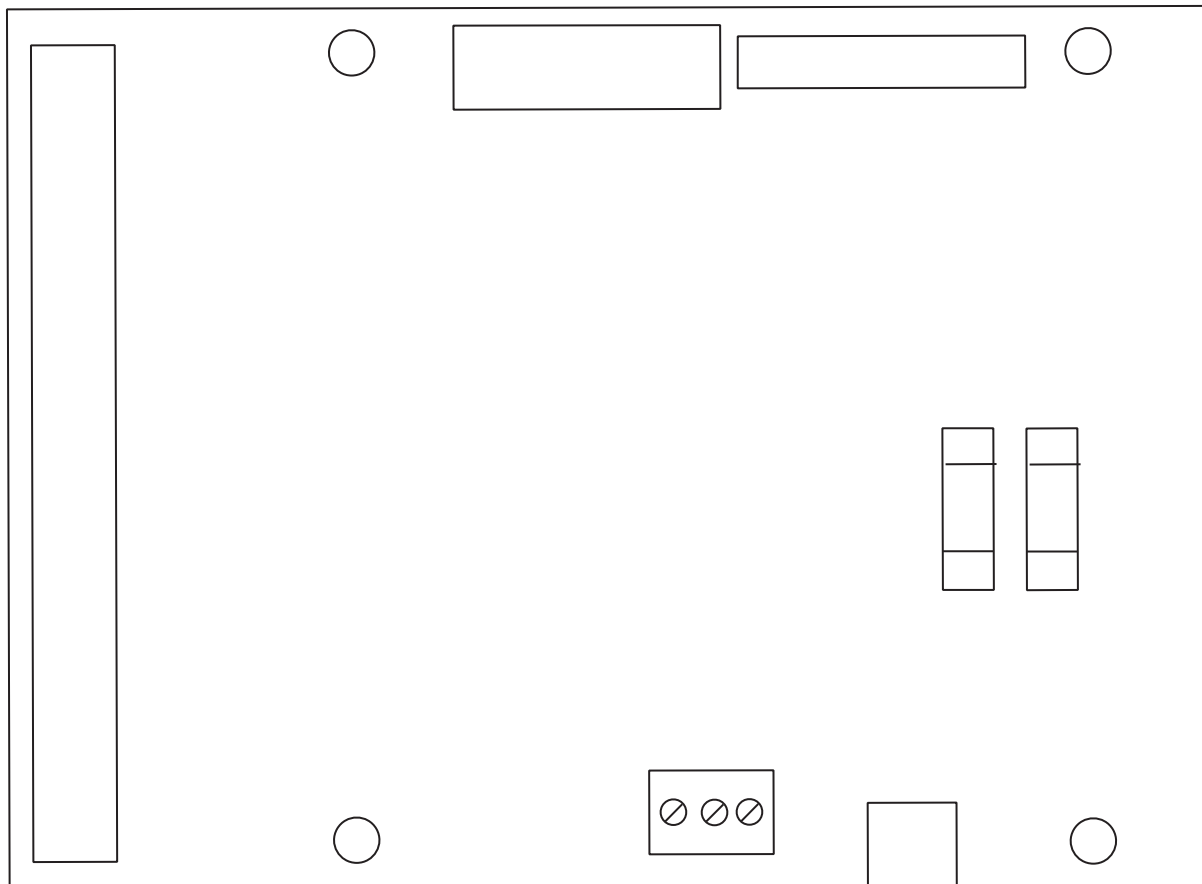


# QIF-2000

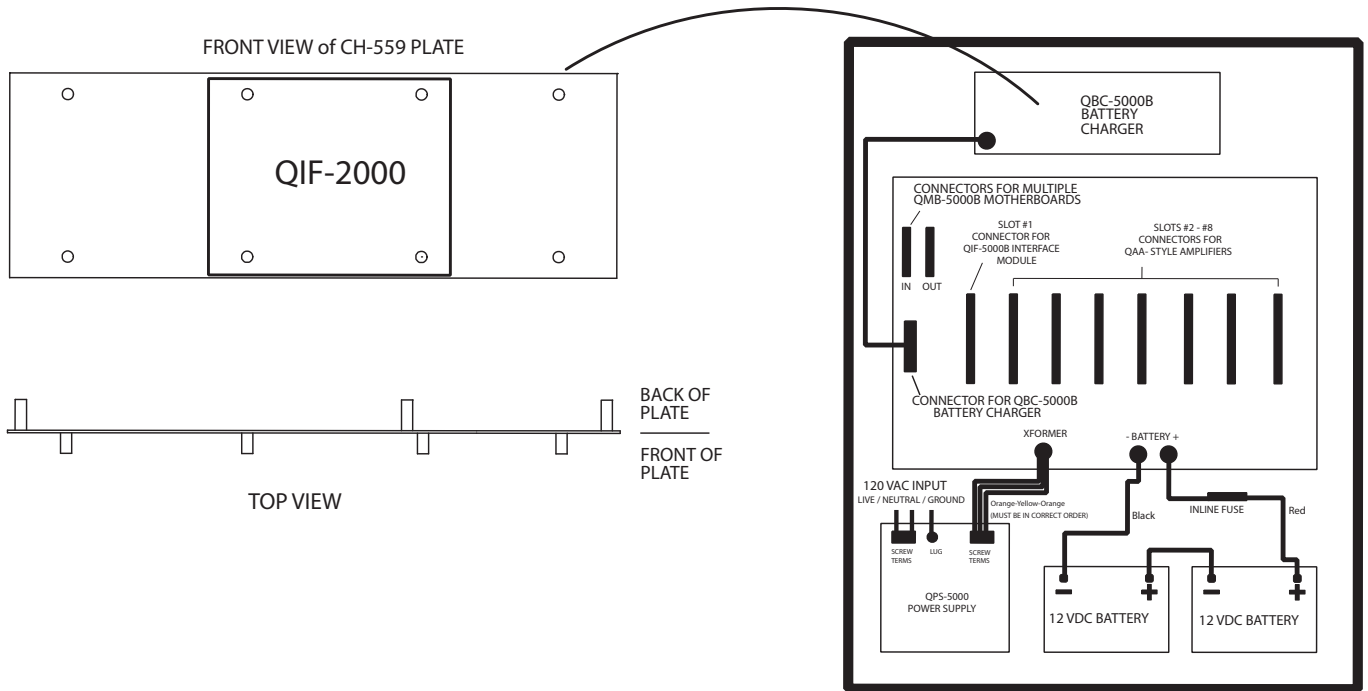
## Emergency Voice Alarm System Interface Board





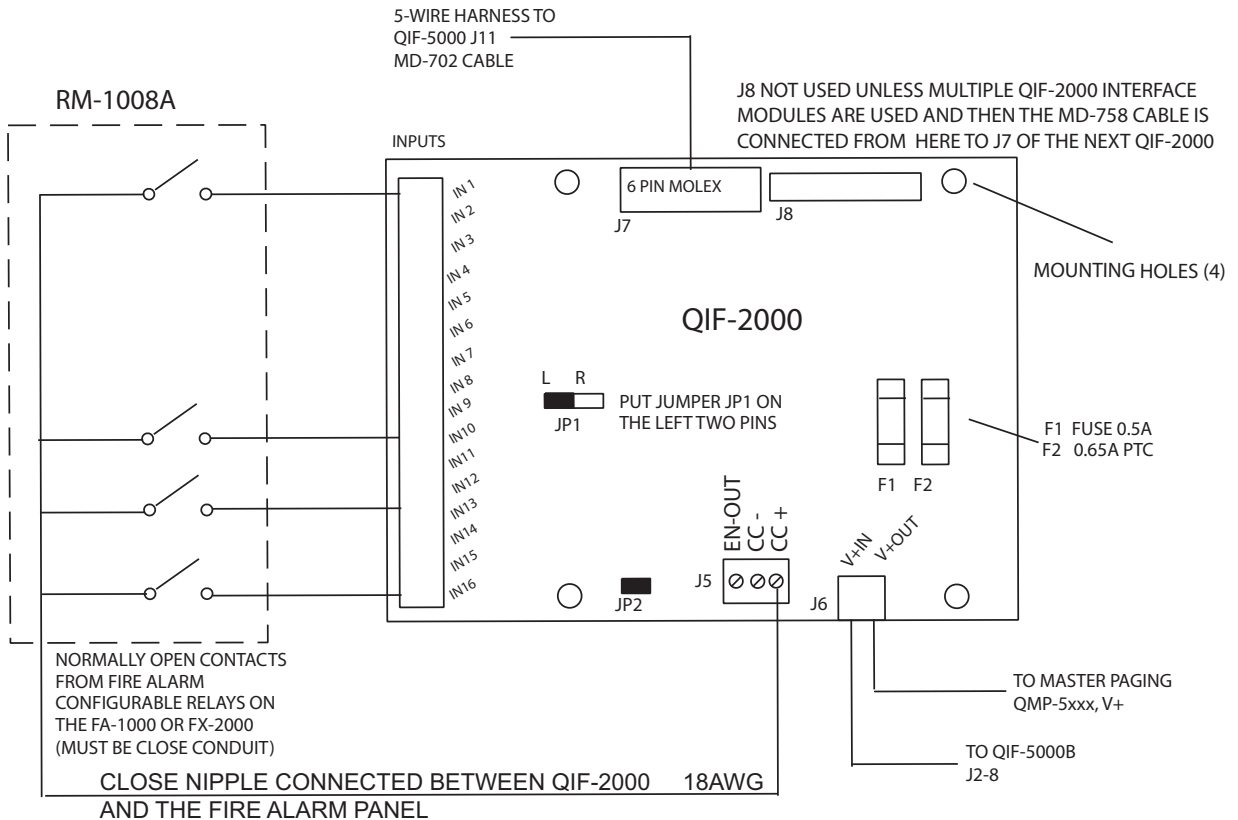
The QIF-2000 Interface module comes already mounted onto a CH-559 Plate. The CH-559 mounts onto the QBC-5000B battery charger cover located above the amplifiers in the audio cabinet of the QX-5000 Audio system. The QBC-5000B must be removed and the QIF-2000, and its plate is mounted onto the QBC-5000B with four #4 screws behind the QBC-5000B cover. The whole assembly is then mounted back into the audio cabinet over the battery charger.

**Figure 1: Mounting QIF-2000 Interface Module**



The QIF-2000 Interface module is used for complex mapping. Inputs 1 through 16 may be programmed via fire alarm relays to activate different zones with an alert or evacuation tone. The mapping is configured at our factory.

**Figure 2: QIF-2000 Interface Wiring Diagram (if using a QIF-1000 see Figure 3)**





**Note:** If the fire alarm panel is not nearby (beyond 24 ft. from the QX-5000), the fire alarm panel must be addressable, FX-2000 and the use of an addressable relay module CR-6 must be used for the QIF-2000 Interface module.

**Figure 3: Wiring Diagram When Using A QIF-1000 And QIF-2000 With The QX-5000**

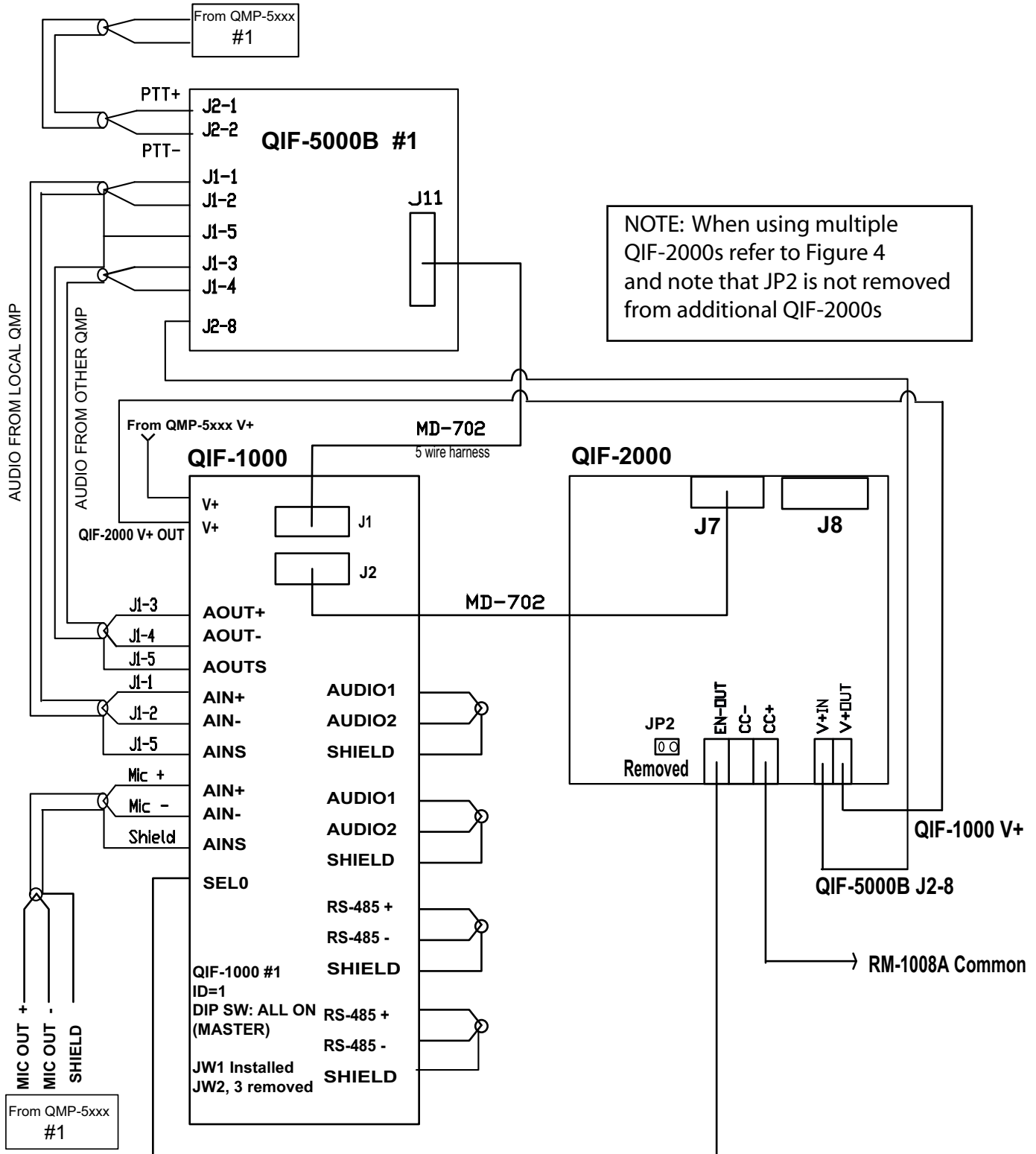
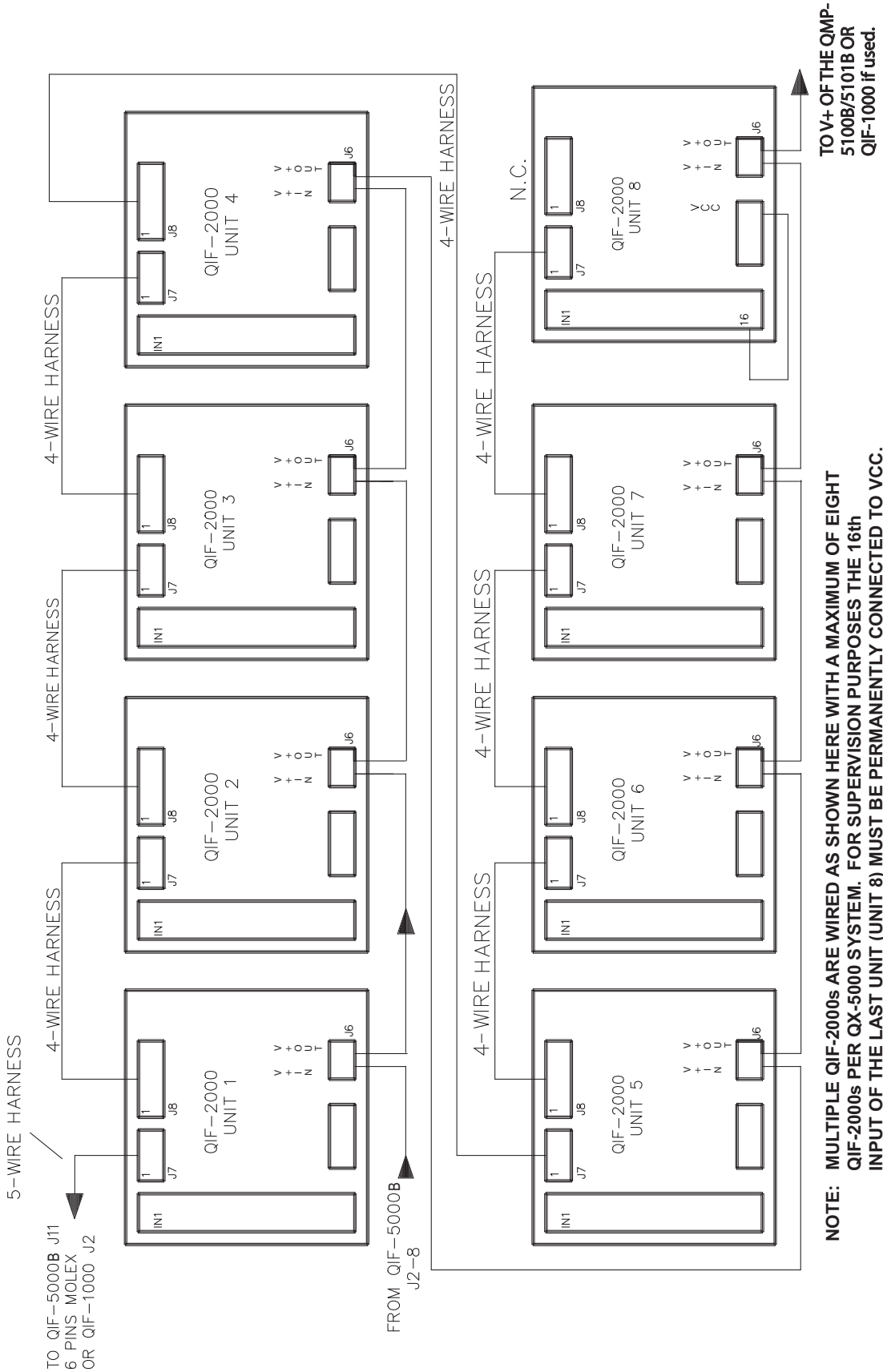


Figure 4: Multiple QIF-2000 Wiring Diagram

# QIF-2000 TO QIF-2000 WIRING



TOV+ OF THE QMP-5100B/5101B OR QIF-1000 if used.

**NOTE:** MULTIPLE QIF-2000s ARE WIRED AS SHOWN HERE WITH A MAXIMUM OF EIGHT QIF-2000s PER QX-5000 SYSTEM. FOR SUPERVISION PURPOSES THE 16th INPUT OF THE LAST UNIT (UNIT 8) MUST BE PERMANENTLY CONNECTED TO VCC.

IF THE QIF-2000 UNIT 1 IS CONNECTED TO A QIF-1000, THEN REMOVE JUMPER JP2 ON THE QIF-2000 UNIT 1 (REFER TO FIGURE 2 FOR THE LOCATION OF JP2). DO NOT REMOVE JP2 ON UNITS 2 TO 8.

## Notes

---





Canada  
25 Interchange Way  
Vaughan, ON L4K 5W3  
Tel: 905-660-4655 Fax: 905-660-4113

U.S.A.  
4575 Witmer Industrial Estates  
Niagara Falls, NY 14305  
Tel: 1-888-660-4655 Fax: 1-888-660-4113

© Mircom 2010  
Printed in Canada  
Subject to change without prior notice  
[www.mircom.com](http://www.mircom.com)