

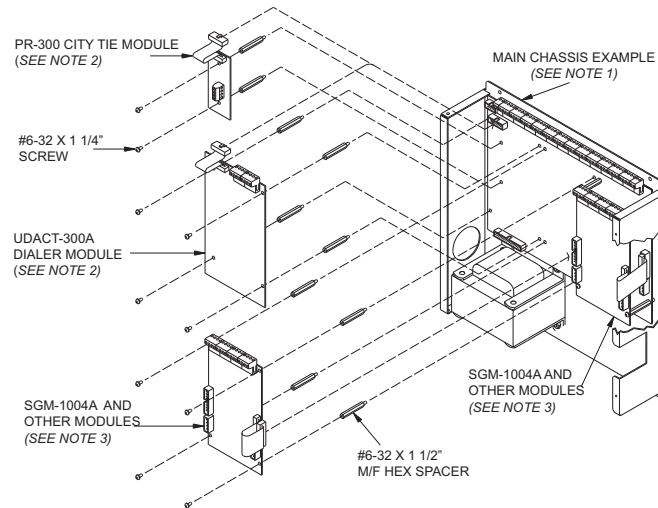
Module Mounting Locations

The SGM-1004A may be mounted in the same locations as other adder modules. Refer to Figure 1 below for mounting locations.



Note: Only the last circuit adder module should have a jumper plug on its continuity jumper; all others must be left without a jumper plug.

Figure 1 Module Mounting Locations

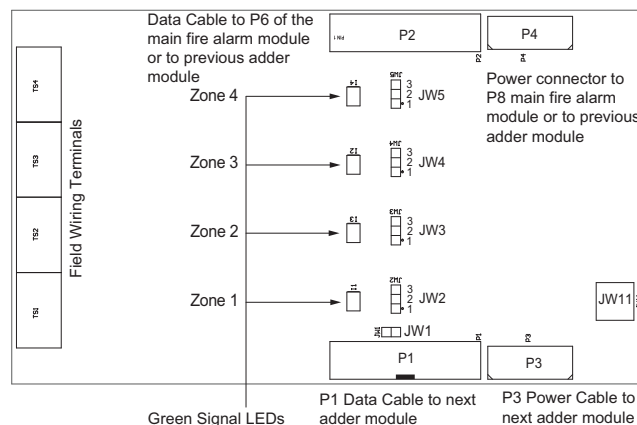


Notes:

1. Front plate is not shown.
2. Position reserved for PR-300 or UDACT-300A.
3. Other modules may be: FNC-2000 Network Controller Module, DM-1008A Detection Circuit Adder Module, **SGM-1004A Signal Circuit Adder Module**, RM-1008A Relay Circuit Adder Module, ALCN-792M(ISO) Loop Adder Module

Terminal and Jumper Locations

Figure 2 Signal Adder Module SGM-1004A



Jumpers on the SGM-1004A Signal Adder Module and their functions:

JW1: Remove continuity jumper if this is not the last adder module installed.

JW2, JW3, JW4, JW5: Leave these jumpers OFF (open).

Components

There are four green LEDs on the board, one for each signal zone. The LED will illuminate or flash following the signal rate sent to its zone. It will be off when the system is normal and they will illuminate when a signal zone is activated. The LED does not reflect what is happening on the signal zone, just that it is receiving data to activate that signal zone.



Note: Jumpers JW1, JW2, JW3, JW4 and JW5 are factory set OFF (open).

Operation

There are three modes of operation for this module. The basic mode of operation does not involve any bell cut relay or isolators connected to the signal zones. For this case, leave jumpers JW2, JW3, JW4 and JW5 as they come on pins 2 and 3, and do not make any connection to terminal block JW11. The second mode provides bell cut operation which allows the silencing of the bells. The third mode is used when isolators are to be connected to the signal circuits. For further information on bell cut relays or isolators, please refer to the specific fire alarm panel manual or the isolator instruction manual.

Jumpers for the Bell Cut Mode

JW2: Place jumper over pins 1 and 2 for the ability to remotely silence the bells on Zone 1.

JW3: Place jumper over pins 1 and 2 for the ability to remotely silence the bells on Zone 2.

JW4: Place jumper over pins 1 and 2 for the ability to remotely silence the bells on Zone 3.

JW5: Place jumper over pins 1 and 2 for the ability to remotely silence the bells on Zone 4.



Attention: Discard jumpers on zones that are not configured for bell cut.

JW11: Wire these terminals to a bell cut relay (for details see QRM-1001 Bell Cut Module Installation and Operating Instructions, LT-666).

Jumpers for the Isolator Mode

JW2: Place jumper over pins 2 and 3 for the ability to connect an isolator on Zone 1.

JW3: Place jumper over pins 2 and 3 for the ability to connect an isolator on Zone 2.

JW4: Place jumper over pins 2 and 3 for the ability to connect an isolator on Zone 3.

JW5: Place jumper over pins 2 and 3 for the ability to connect an isolator on Zone 4.



Attention: Discard jumpers on zones that are not configured for isolators or bell cut.

JW11: Wire these terminals to an alarm relay. These may be tapped if more signal modules are used in this manner.