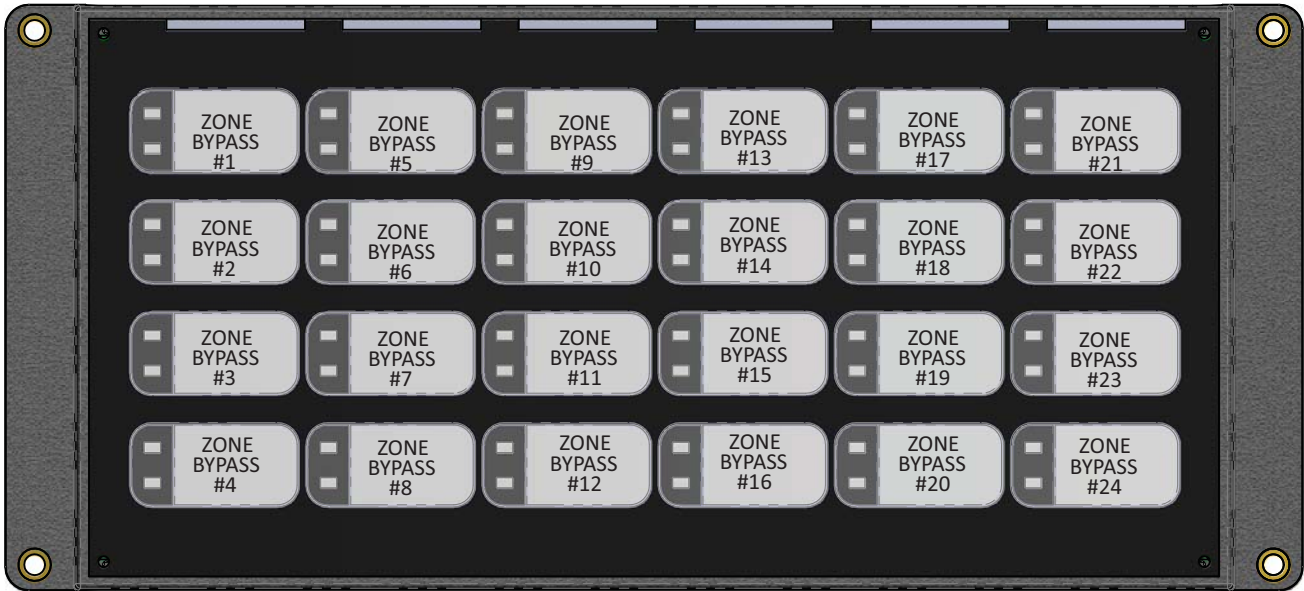


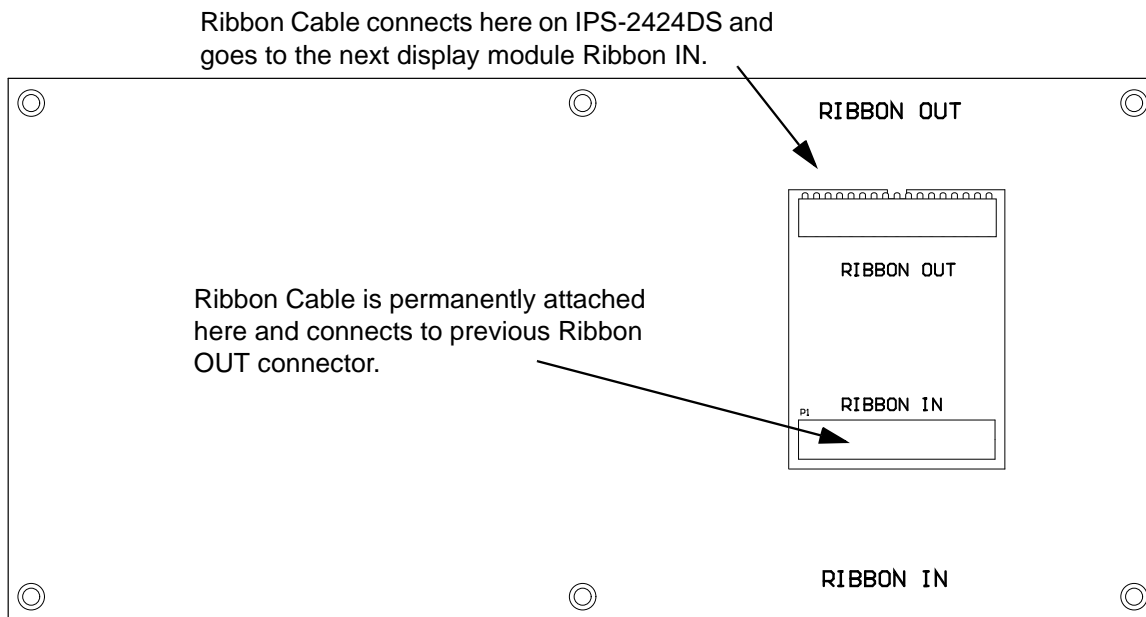
### Module Mounting Locations

The IPS-2424DS Programmable Input Switches Module mounts into a series of enclosures as part of the fire alarm system. This adder module provides 24 programmable switches, 24 bi-coloured (red/amber) LEDs for fire alarm zone annunciation and 24 amber trouble LEDs.

**Figure 1: IPS-2424DS Programmable Input Switches Module Front Chassis View**



**Figure 2: IPS-2424DS CABLE CONNECTIONS**



Refer to the fire alarm manual for further information regarding the IPS-2424DS.