

# UIMA - TAS Adapter Wiring Instructions

The UIMA-TAS Adapter allows you to connect your PC to the RS-485 and Auxiliary Power connectors on any TX3 controller. Refer to Figure 1.

**Note:** Connect the UIMA-TAS Adapter to the input terminals on the **first** controller on the network or to the output terminals on the **last** controller on the network.

## To connect the UIMA-TAS Adapter

1. Open the UIMA-TAS adapter box using a slot screwdriver.
2. Plug the 10-pin cable from the UIMA into the right angle header of the adapter.
3. Observe the correct polarity and connect the wires from the RS-485 connector on the TX3 controller to the UIMA-TAS adapter as shown in Figure 1.
4. Observe the correct polarity and connect the 12V DC wires from the Auxiliary Power connector on the TX3 controller to the UIMA-TAS adapter as shown in Figure 1.

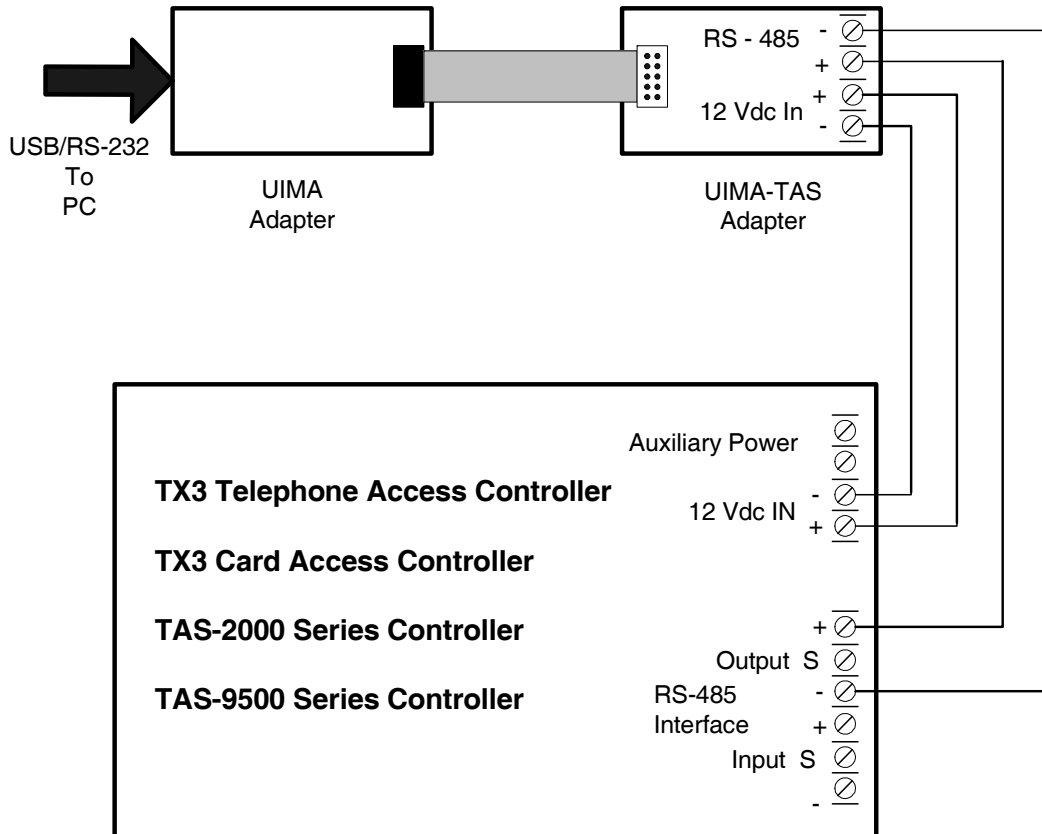


Figure 1. Wiring Diagram for UIMA-TAS Adapter Connection

