

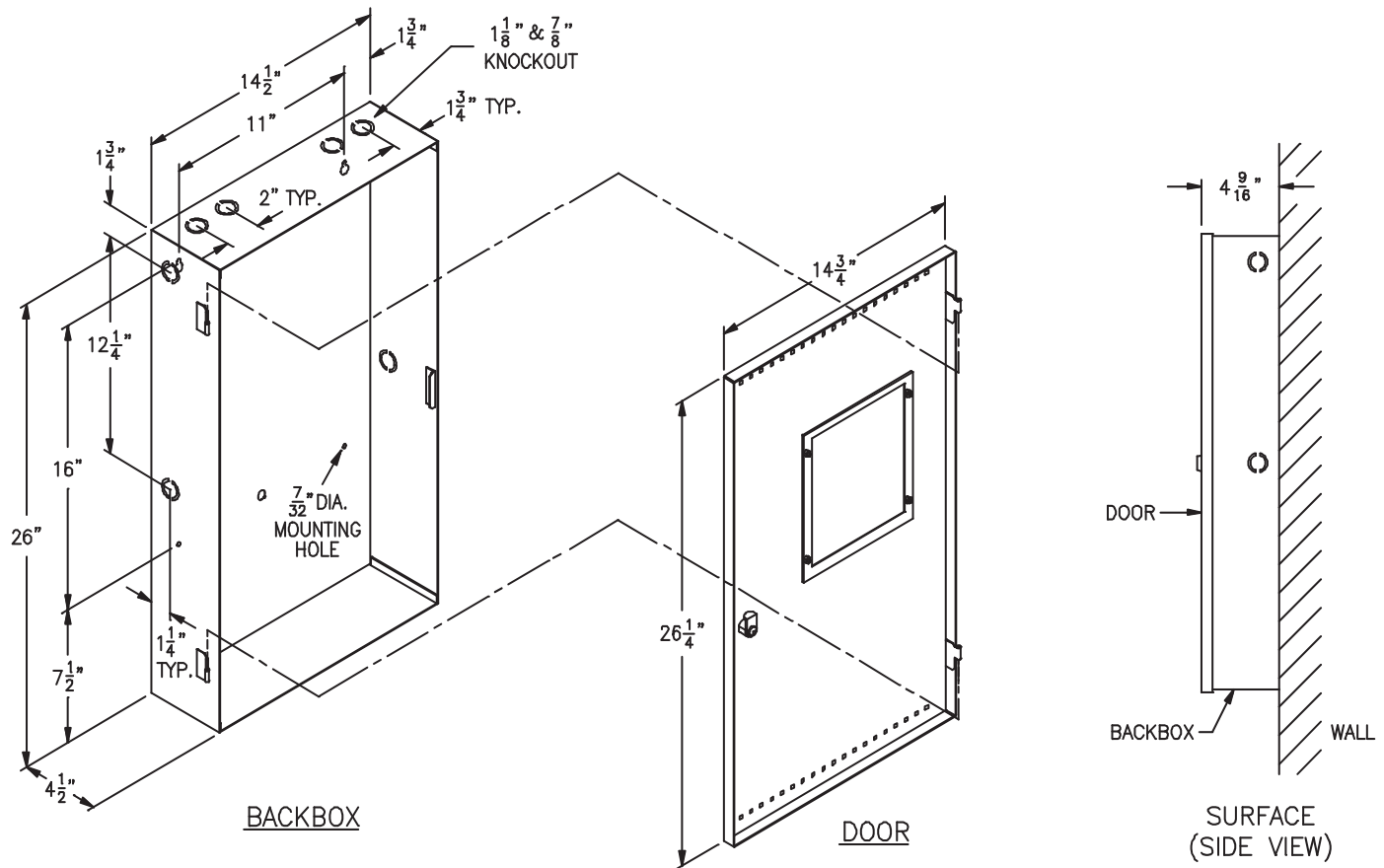
**THIS DOCUMENT, LT-915, ONLY DESCRIBES MECHANICAL INSTALLATION.**

**FOR ALL OTHER INFORMATION, REFER TO LT-657 FX-2000 INSTALLATION AND OPERATIONAL MANUAL. SPECIFICALLY, FOR ANY INFORMATION RELATED TO WIRING REFER TO "TABLE OF CONTENTS" ON LT-657 MANUAL FOR FIELD WIRING.**

The Model FX-2001-6K is a one addressable loop fire alarm kit which includes a beige BBX-1024 Enclosure and a main chassis with main fire alarm board which provides one addressable loop. The Model FX-2001-6KU is the same kit as the Model FX-2001-6K except this kit has a red enclosure BBX-1024R. Both models have 6A power supplies.

Mechanical Installation: Mount the BBX-1024/R enclosure as shown below in Figure 1.

**Figure 1: BBX-1024 Backbox Enclosure**



**LEAVE BOTTOM OF BOX CONDUIT FREE FOR BATTERIES**

The chassis setup for each kit is shown in Figure 2 below.

WIRING:

1. For main fire alarm board addressable loop wiring see the LT-657 FX-2000 Installation Manual.

**Figure 2: Display and Adder Modules Layout**

