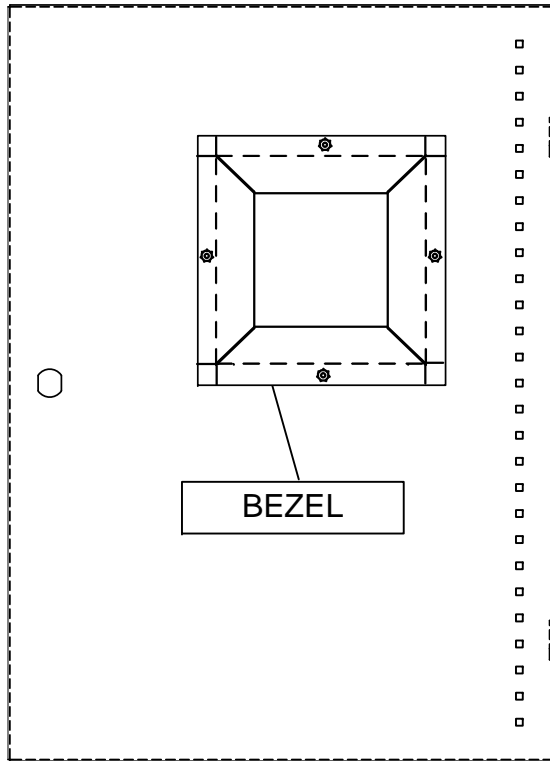
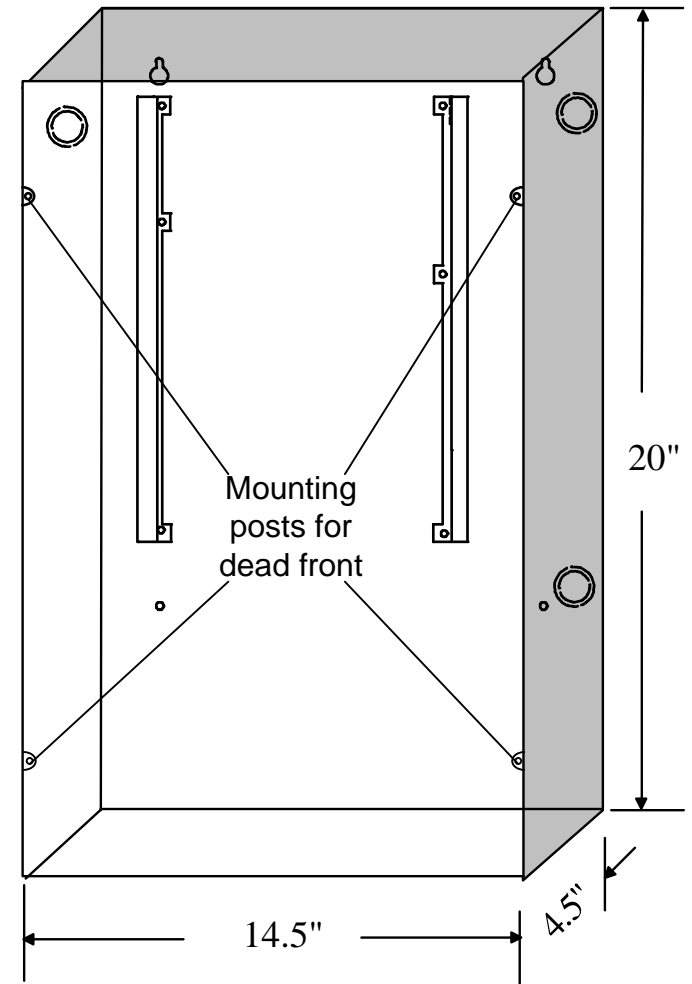
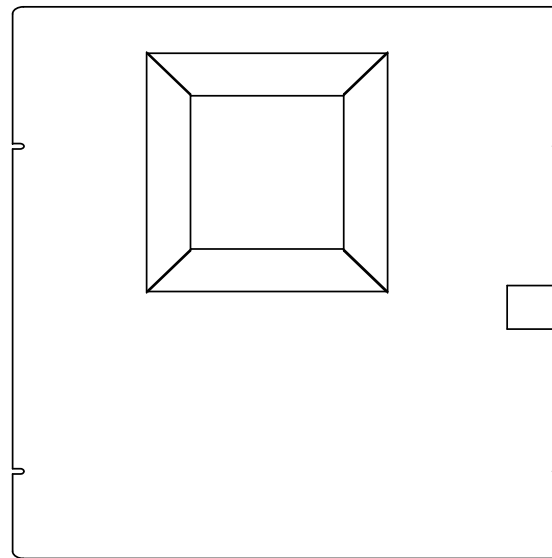


FA-301 LED SERIES BACKBOXES

INSIDE VIEW OF DOOR



FA-300-DF Dead Front for Small LCD Enclosure



Mount this dead front to the FA-300 Series Backboxes using the four screws provided

NOTE: WHEN MOUNTING THE DEAD FRONT TO THE BACKBOX, REMOVE THE BEZEL ONLY FROM THE FRONT DOOR, BUT KEEP THE PLEXIGLAS INTACT.