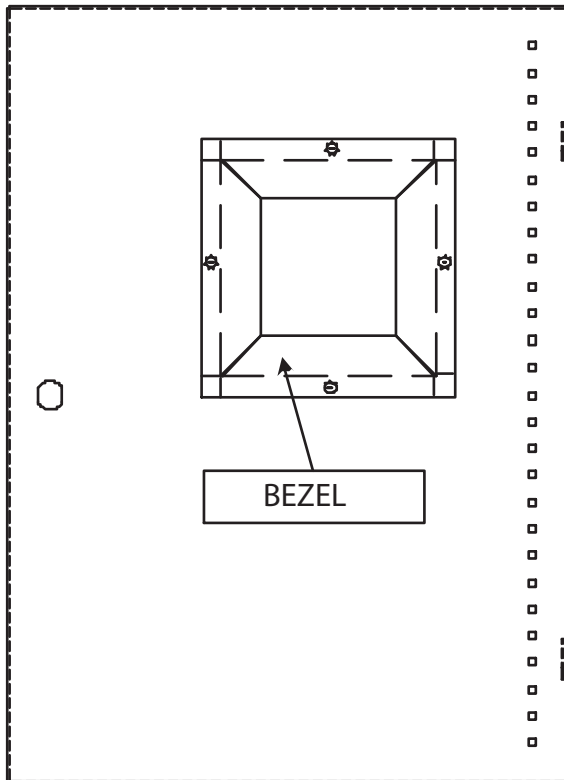
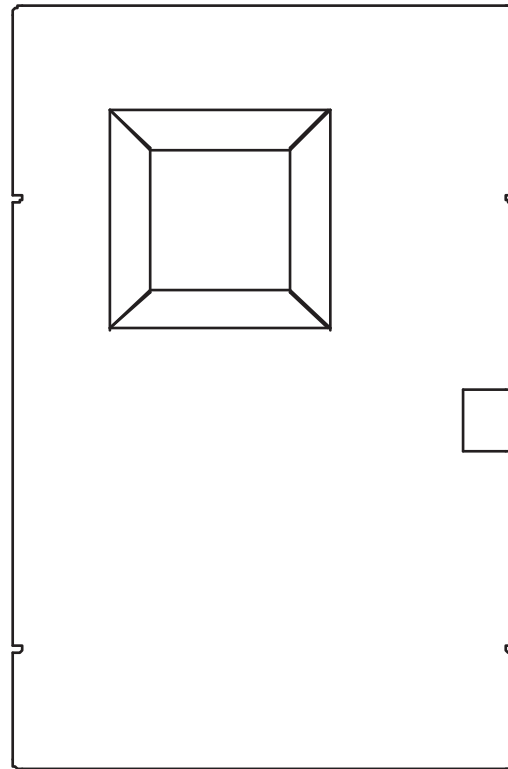


INSIDE VIEW OF DOOR

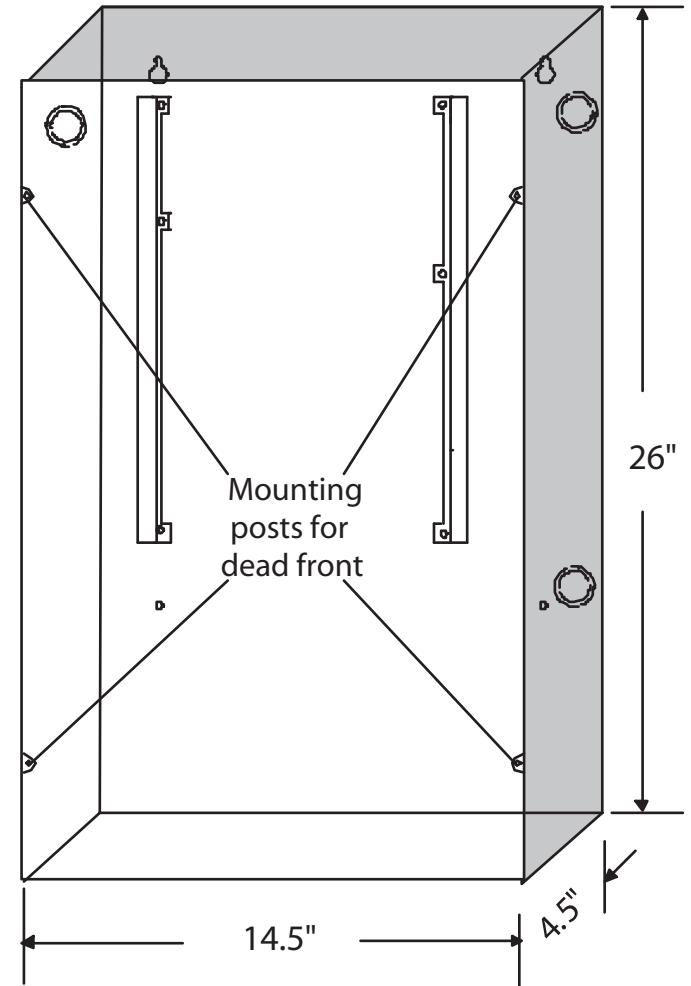


Remove bezel and discard, but leave plexiglas, then place the dead front on the backbox.

FA-301-DF DEAD FRONT



FA-301 LED SERIES BACKBOXES



Place dead front over the backbox and electronics. Use the four #6 screws provided to screw the front to the backbox on the mounting posts as shown.