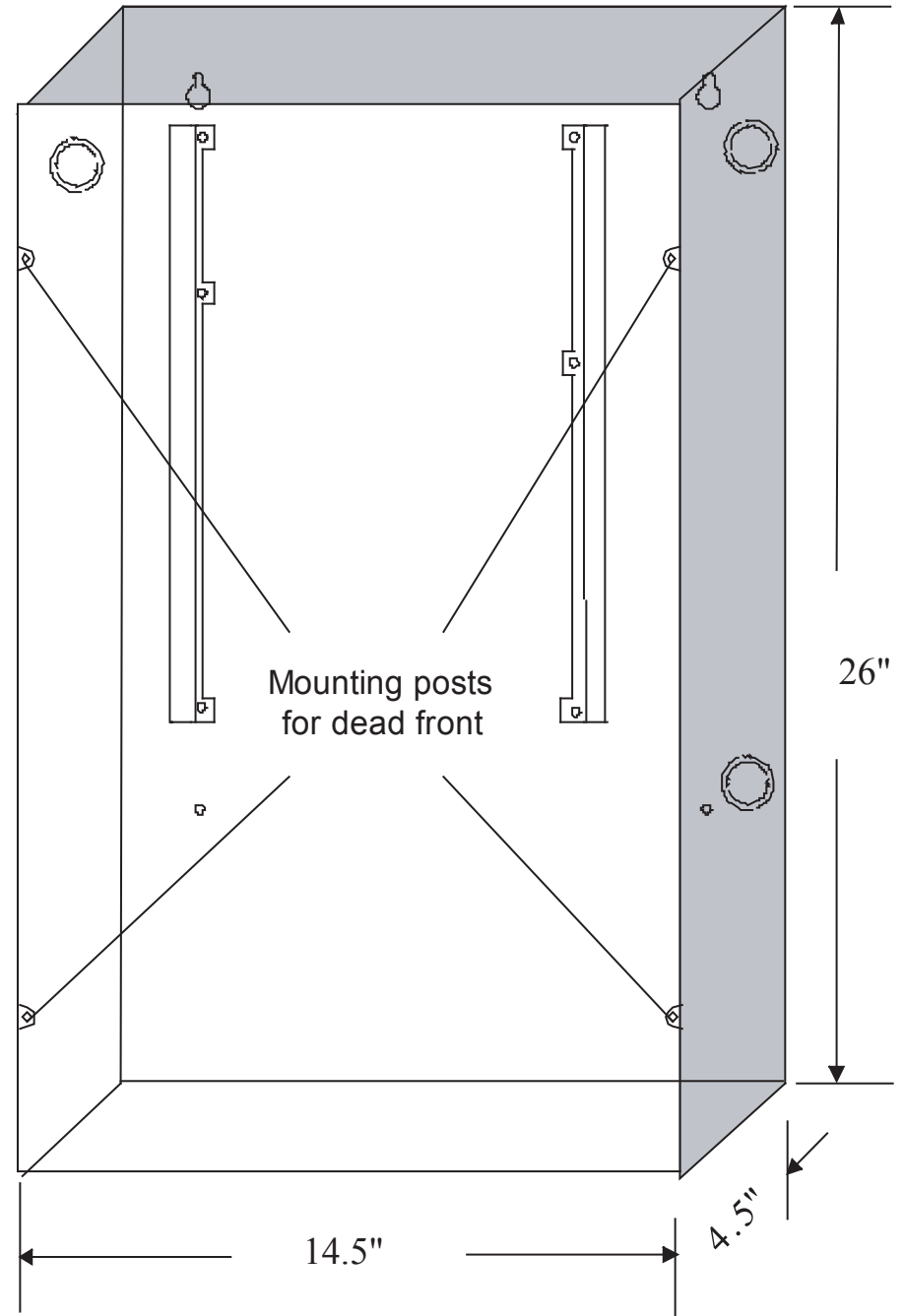
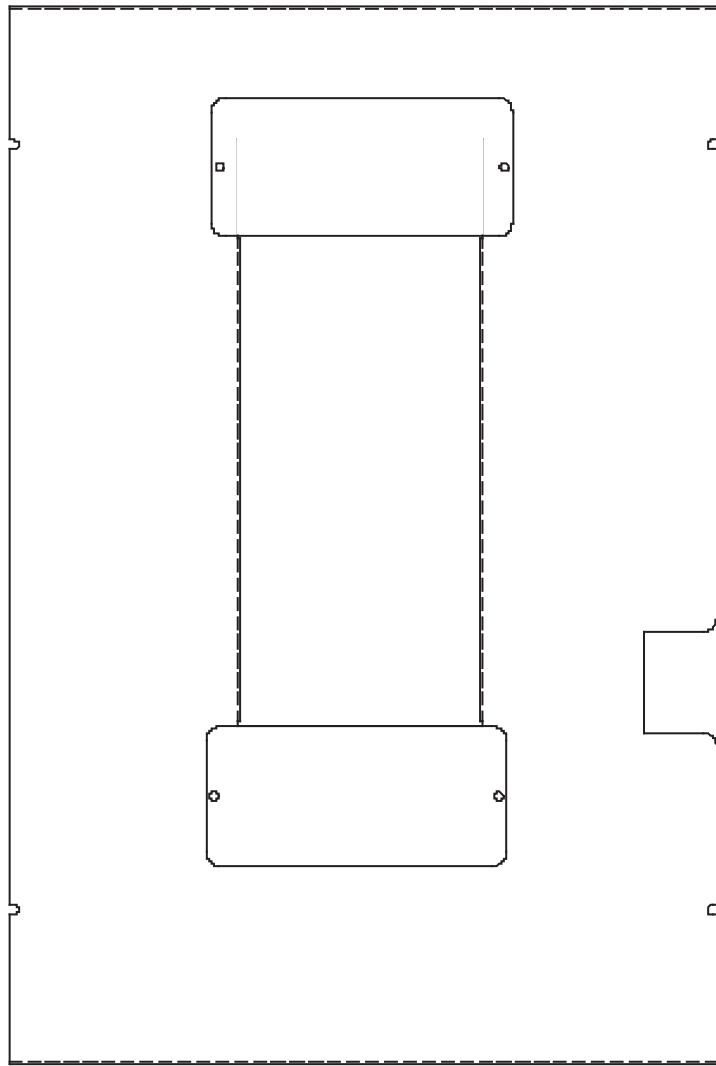


FA-301 LED SERIES BACKBOXES

FA-301-LDF DEAD FRONT



Place dead front over the backbox and electronics. Use the four #6 screws provided to screw the front to the backbox on the mounting posts as shown.