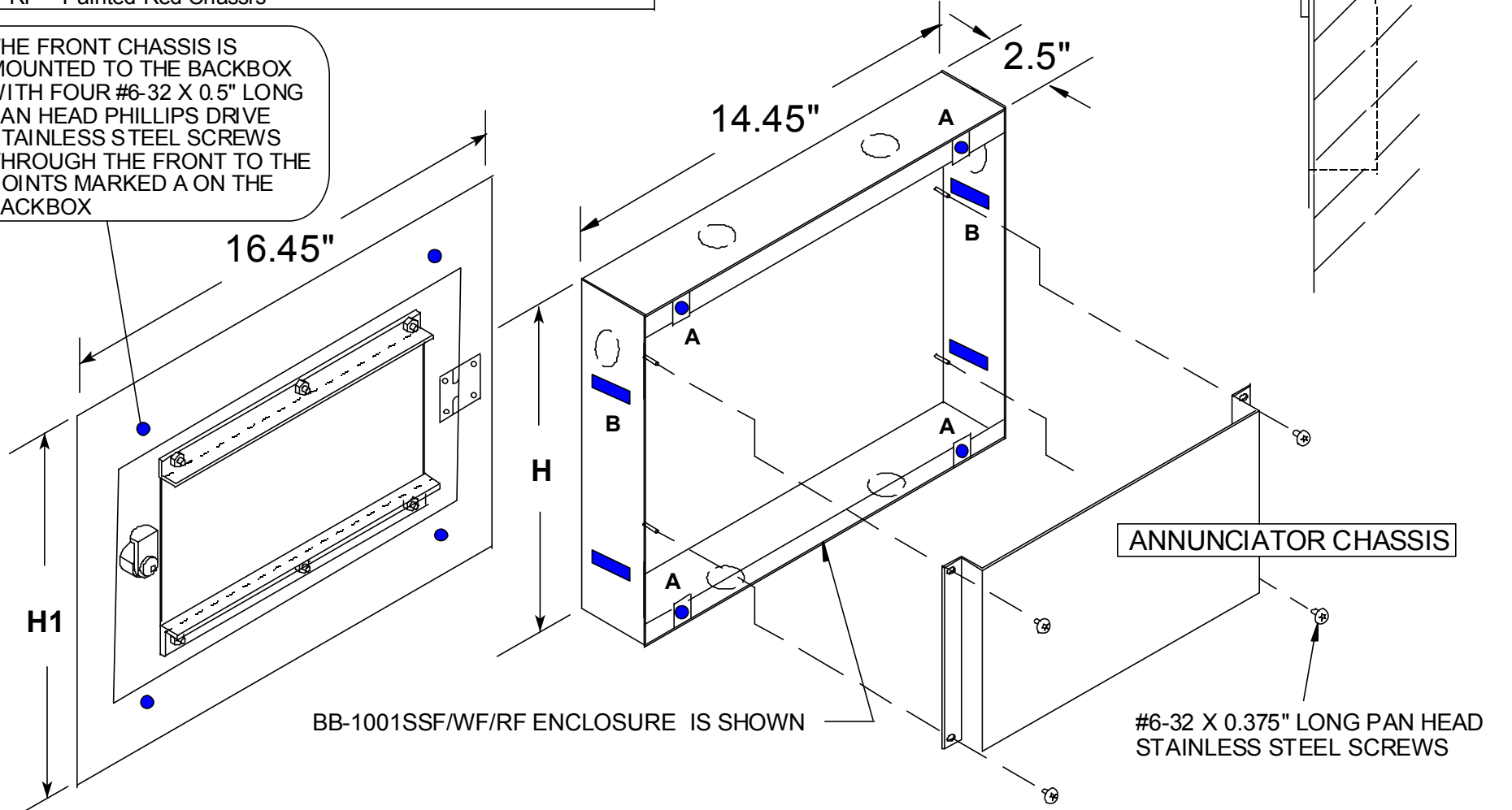


FLUSH MOUNT ENCLOSURE MODEL	HEIGHT H (IN.)	HEIGHT H1 (IN.)
BB-1001SSF/WF/RF	10.5"	12.5"
BB-1002SSF/WF/RF	19"	21"

SSF - Buffed Stainless Steel Chassis
 WF - Painted White Chassis
 RF - Painted Red Chassis

THE FRONT CHASSIS IS MOUNTED TO THE BACKBOX WITH FOUR #6-32 X 0.5" LONG PAN HEAD PHILLIPS DRIVE STAINLESS STEEL SCREWS THROUGH THE FRONT TO THE POINTS MARKED A ON THE BACKBOX

THE SLOTS IN THE BACKBOX MARKED B, ARE USED TO SCREW THE BACKBOX TO THE WALL STUDS ON BOTH SIDES.



BB-1001SSF/WF/RF ENCLOSURE IS SHOWN

ANNUNCIATOR CHASSIS

#6-32 X 0.375" LONG PAN HEAD STAINLESS STEEL SCREWS

