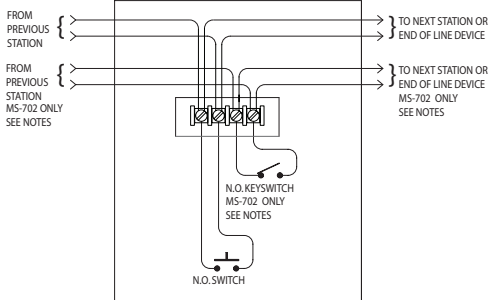
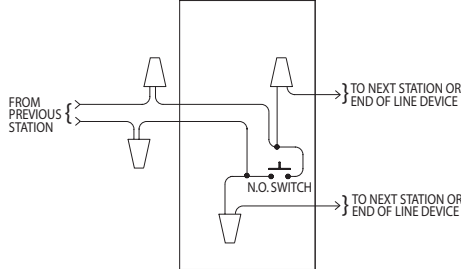


Mircom's MS-700(U) Series Manual Stations provide manual fire reporting. These high quality, die-cast metal manual stations are available in either single or dual action configurations with SPST contacts and terminal strip connections. The normally open contact, which closes when the manual station is activated, is rated for 1 Amp at 30 VDC, 0.1 Amps at 125VAC. The contacts are gold plated to avoid the risk of corrosion. The MS-700(U) Series Manual Stations are available in many different configurations as either single or dual-action devices.

MS-701(U), MS-702(U), & MS-710(U) Series



MS-701(U)P & MS-710(U)P Series



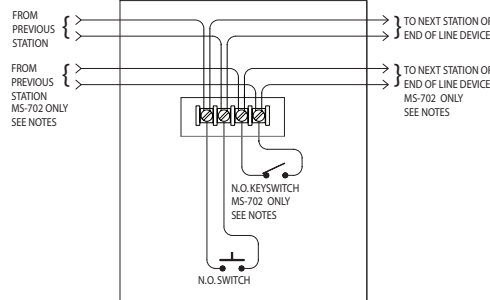
Wiring Notes for all diagrams:

1. Wire as shown so that supervision of connections is maintained.
2. Mount station to 2" x 4" x 2 1/4" outlet box.
3. Maximum size: No. 12 AWG.
4. For MS-705(U) and MS-715(U), these terminals will be used for additional Form"C" (SPDT) Contact.
5. For Normally Open operation, cut the NC wire.
6. For Normally Closed operation, cut the NO wire.
7. Switches shown in the Station Closed position.
8. The suffix "U" denotes USA version.
9. The suffix "NY" denotes New York version.
10. ADA compliant. To be installed per ADA 4.27.1 to 4.27.4 inclusive.

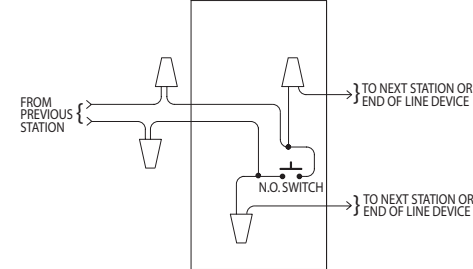
All manual fire alarm stations shall be installed as per the specific requirements outlined in the UL/ULC codes, as well as all other applicable national or local codes. Final acceptance is subject to the local authority having jurisdiction.

Mircom's MS-700(U) Series Manual Stations provide manual fire reporting. These high quality, die-cast metal manual stations are available in either single or dual action configurations with SPST contacts and terminal strip connections. The normally open contact, which closes when the manual station is activated, is rated for 1 Amp at 30 VDC, 0.1 Amps at 125VAC. The contacts are gold plated to avoid the risk of corrosion. The MS-700(U) Series Manual Stations are available in many different configurations as either single or dual-action devices.

MS-701(U), MS-702(U), & MS-710(U) Series



MS-701(U)P & MS-710(U)P Series



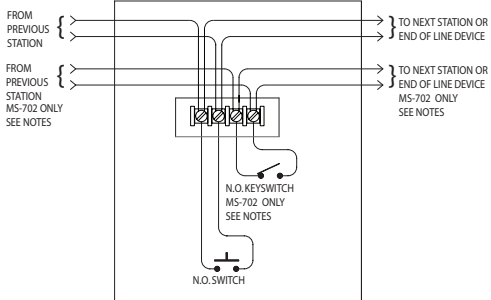
Wiring Notes for all diagrams:

1. Wire as shown so that supervision of connections is maintained.
2. Mount station to 2" x 4" x 2 1/4" outlet box.
3. Maximum size: No. 12 AWG.
4. For MS-705(U) and MS-715(U), these terminals will be used for additional Form"C" (SPDT) Contact.
5. For Normally Open operation, cut the NC wire.
6. For Normally Closed operation, cut the NO wire.
7. Switches shown in the Station Closed position.
8. The suffix "U" denotes USA version.
9. The suffix "NY" denotes New York version.
10. ADA compliant. To be installed per ADA 4.27.1 to 4.27.4 inclusive.

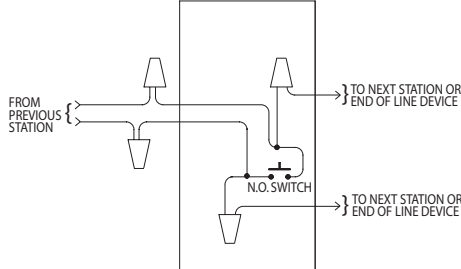
All manual fire alarm stations shall be installed as per the specific requirements outlined in the UL/ULC codes, as well as all other applicable national or local codes. Final acceptance is subject to the local authority having jurisdiction.

Mircom's MS-700(U) Series Manual Stations provide manual fire reporting. These high quality, die-cast metal manual stations are available in either single or dual action configurations with SPST contacts and terminal strip connections. The normally open contact, which closes when the manual station is activated, is rated for 1 Amp at 30 VDC, 0.1 Amps at 125VAC. The contacts are gold plated to avoid the risk of corrosion. The MS-700(U) Series Manual Stations are available in many different configurations as either single or dual-action devices.

MS-701(U), MS-702(U), & MS-710(U) Series



MS-701(U)P & MS-710(U)P Series



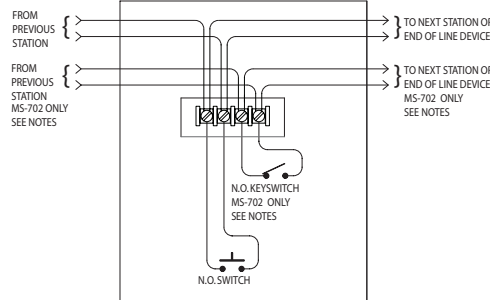
Wiring Notes for all diagrams:

1. Wire as shown so that supervision of connections is maintained.
2. Mount station to 2" x 4" x 2 1/4" outlet box.
3. Maximum size: No. 12 AWG.
4. For MS-705(U) and MS-715(U), these terminals will be used for additional Form"C" (SPDT) Contact.
5. For Normally Open operation, cut the NC wire.
6. For Normally Closed operation, cut the NO wire.
7. Switches shown in the Station Closed position.
8. The suffix "U" denotes USA version.
9. The suffix "NY" denotes New York version.
10. ADA compliant. To be installed per ADA 4.27.1 to 4.27.4 inclusive.

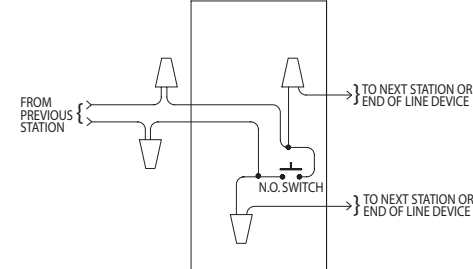
All manual fire alarm stations shall be installed as per the specific requirements outlined in the UL/ULC codes, as well as all other applicable national or local codes. Final acceptance is subject to the local authority having jurisdiction.

Mircom's MS-700(U) Series Manual Stations provide manual fire reporting. These high quality, die-cast metal manual stations are available in either single or dual action configurations with SPST contacts and terminal strip connections. The normally open contact, which closes when the manual station is activated, is rated for 1 Amp at 30 VDC, 0.1 Amps at 125VAC. The contacts are gold plated to avoid the risk of corrosion. The MS-700(U) Series Manual Stations are available in many different configurations as either single or dual-action devices.

MS-701(U), MS-702(U), & MS-710(U) Series



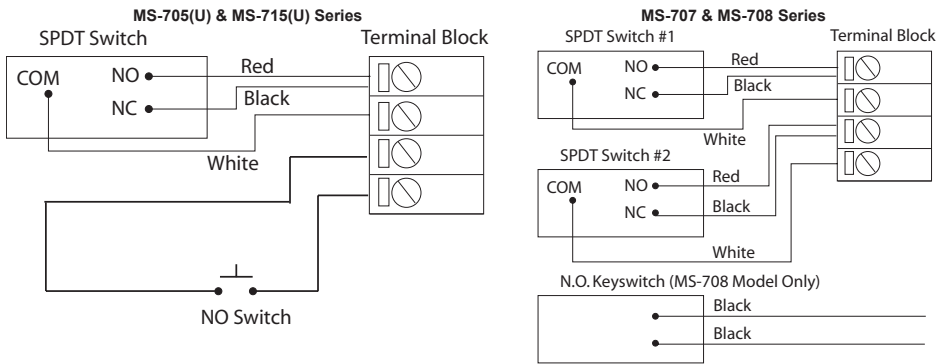
MS-701(U)P & MS-710(U)P Series



Wiring Notes for all diagrams:

1. Wire as shown so that supervision of connections is maintained.
2. Mount station to 2" x 4" x 2 1/4" outlet box.
3. Maximum size: No. 12 AWG.
4. For MS-705(U) and MS-715(U), these terminals will be used for additional Form"C" (SPDT) Contact.
5. For Normally Open operation, cut the NC wire.
6. For Normally Closed operation, cut the NO wire.
7. Switches shown in the Station Closed position.
8. The suffix "U" denotes USA version.
9. The suffix "NY" denotes New York version.
10. ADA compliant. To be installed per ADA 4.27.1 to 4.27.4 inclusive.

All manual fire alarm stations shall be installed as per the specific requirements outlined in the UL/ULC codes, as well as all other applicable national or local codes. Final acceptance is subject to the local authority having jurisdiction.

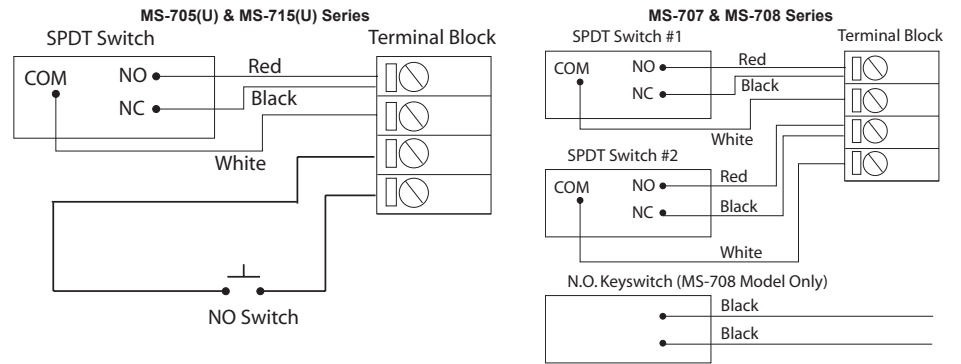


Models

- MS-701(U)(NY):** Single Action Manual Station
- MS-710(U)(NY):** Dual Action Manual Station
- MS-702(U):** Two Stage Manual Station with Key Switch
- MS-701(U)P:** Single Action Manual Station C/W Pig Tail Leads
- MS-710(U)P:** Dual Action Manual Station C/W Pig Tail Leads
- MS-705(U):** Single Action Manual Station C/W Additional 1 Form "C" (SPDT) Contact
- MS-715(U):** Dual Action Manual Station C/W Additional 1 Form "C" (SPDT) Contact
- MS-707:** Single Action Manual Station with 2 Form "C" Switches
- MS-708:** Single Action Manual Station with 2 Form "C" Switches and Key switch /W Pig Tail leads
- BB-700:** Backbox
- BB-700WP:** Weatherproof Backbox

Specifications

- Switch Rating:** 1 Amp @ 30 VDC
0.1 Amp @ 120VAC
- Manual Station:** 4 1/2"H x 3 5/16"W x 2"D

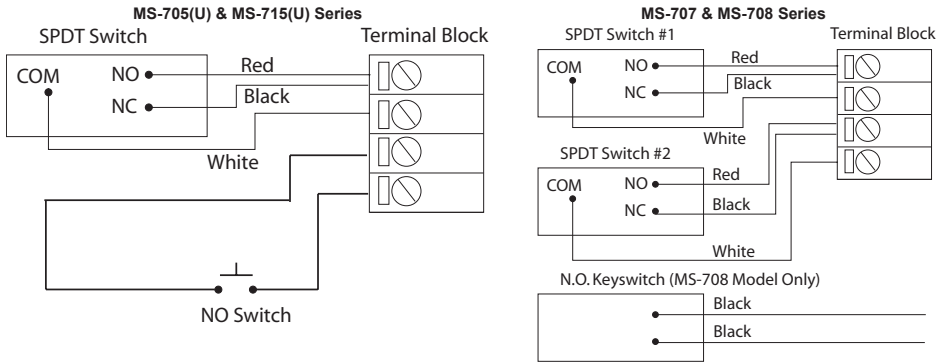


Models

- MS-701(U)(NY):** Single Action Manual Station
- MS-710(U)(NY):** Dual Action Manual Station
- MS-702(U):** Two Stage Manual Station with Key Switch
- MS-701(U)P:** Single Action Manual Station C/W Pig Tail Leads
- MS-710(U)P:** Dual Action Manual Station C/W Pig Tail Leads
- MS-705(U):** Single Action Manual Station C/W Additional 1 Form "C" (SPDT) Contact
- MS-715(U):** Dual Action Manual Station C/W Additional 1 Form "C" (SPDT) Contact
- MS-707:** Single Action Manual Station with 2 Form "C" Switches
- MS-708:** Single Action Manual Station with 2 Form "C" Switches and Key switch /W Pig Tail leads
- BB-700:** Backbox
- BB-700WP:** Weatherproof Backbox

Specifications

- Switch Rating:** 1 Amp @ 30 VDC
0.1 Amp @ 120VAC
- Manual Station:** 4 1/2"H x 3 5/16"W x 2"D

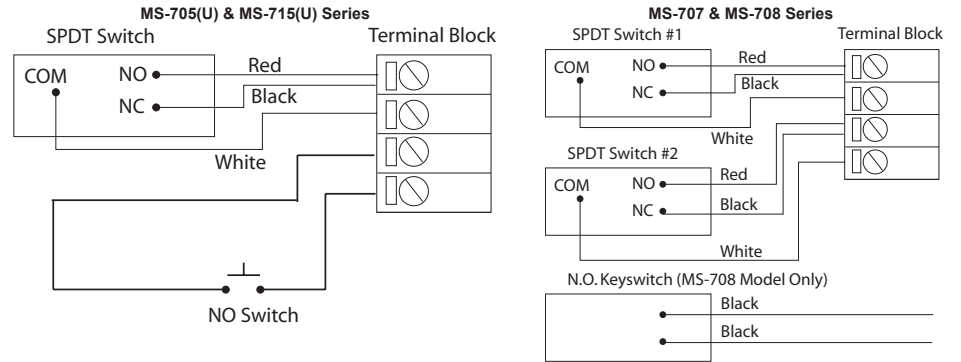


Models

- MS-701(U)(NY):** Single Action Manual Station
- MS-710(U)(NY):** Dual Action Manual Station
- MS-702(U):** Two Stage Manual Station with Key Switch
- MS-701(U)P:** Single Action Manual Station C/W Pig Tail Leads
- MS-710(U)P:** Dual Action Manual Station C/W Pig Tail Leads
- MS-705(U):** Single Action Manual Station C/W Additional 1 Form "C" (SPDT) Contact
- MS-715(U):** Dual Action Manual Station C/W Additional 1 Form "C" (SPDT) Contact
- MS-707:** Single Action Manual Station with 2 Form "C" Switches
- MS-708:** Single Action Manual Station with 2 Form "C" Switches and Key switch /W Pig Tail leads
- BB-700:** Backbox
- BB-700WP:** Weatherproof Backbox

Specifications

- Switch Rating:** 1 Amp @ 30 VDC
0.1 Amp @ 120VAC
- Manual Station:** 4 1/2"H x 3 5/16"W x 2"D



Models

- MS-701(U)(NY):** Single Action Manual Station
- MS-710(U)(NY):** Dual Action Manual Station
- MS-702(U):** Two Stage Manual Station with Key Switch
- MS-701(U)P:** Single Action Manual Station C/W Pig Tail Leads
- MS-710(U)P:** Dual Action Manual Station C/W Pig Tail Leads
- MS-705(U):** Single Action Manual Station C/W Additional 1 Form "C" (SPDT) Contact
- MS-715(U):** Dual Action Manual Station C/W Additional 1 Form "C" (SPDT) Contact
- MS-707:** Single Action Manual Station with 2 Form "C" Switches
- MS-708:** Single Action Manual Station with 2 Form "C" Switches and Key switch /W Pig Tail leads
- BB-700:** Backbox
- BB-700WP:** Weatherproof Backbox

Specifications

- Switch Rating:** 1 Amp @ 30 VDC
0.1 Amp @ 120VAC
- Manual Station:** 4 1/2"H x 3 5/16"W x 2"D