

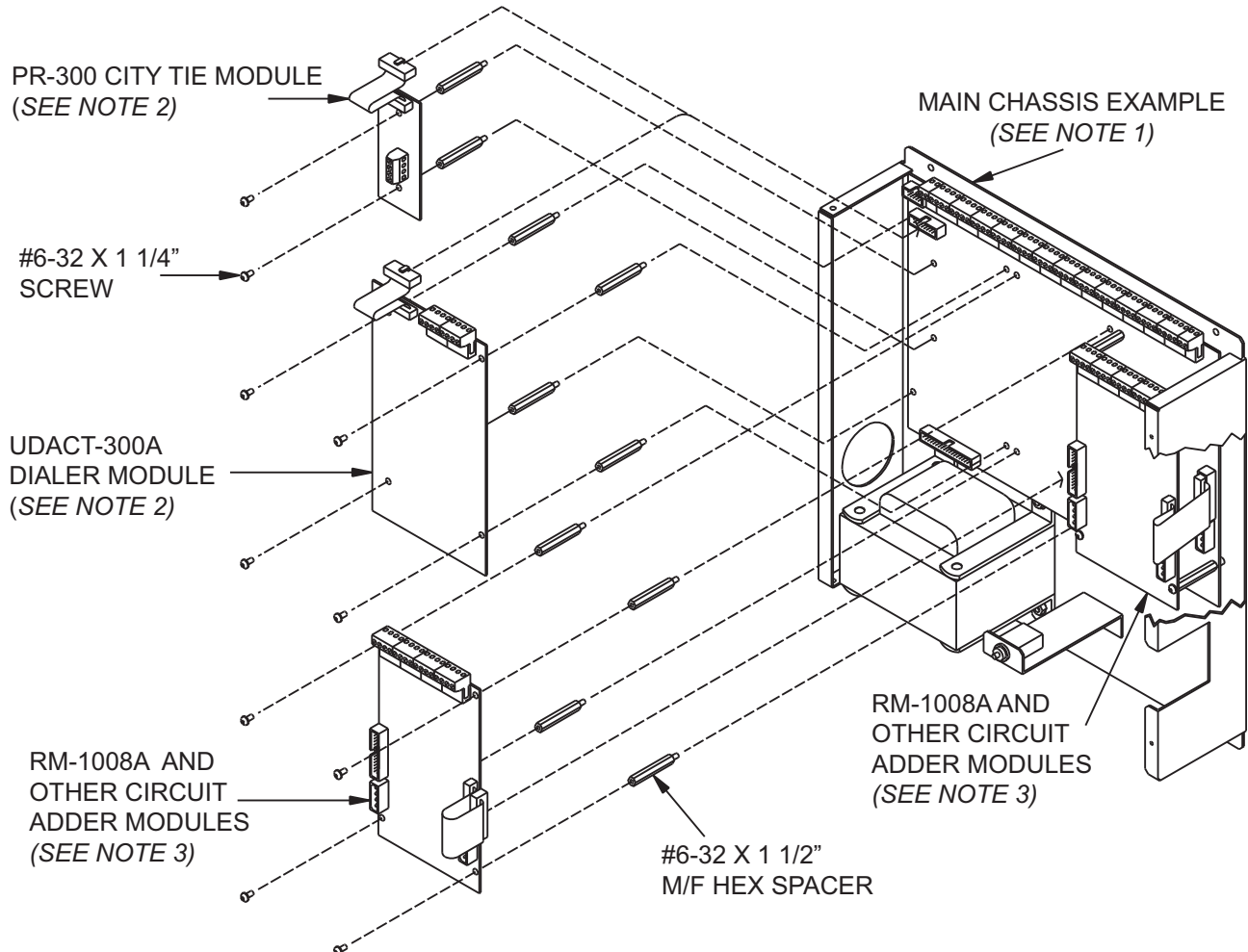
Module Mounting Locations

The RM-1008A Relay Adder Module provides eight relay circuits. Refer to Figure 1 below for mounting locations.



Note: Only the last circuit adder module should have a jumper plug on its continuity jumper; all others must be left without a jumper plug.

Figure 1: Module Mounting Locations

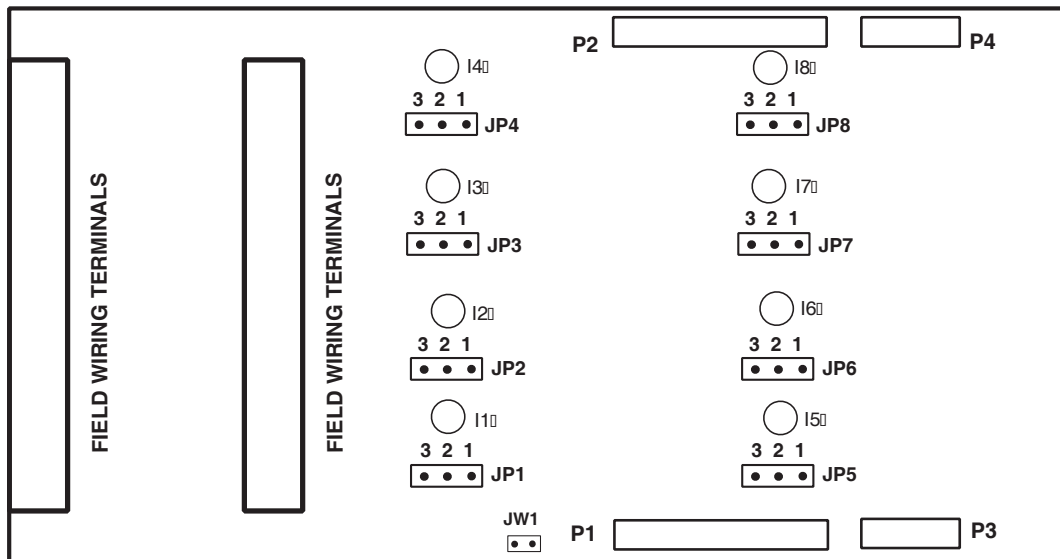


Notes:

1. Front plate is not shown.
2. Reserved for PR-300 or UDACT-300A.
3. Other circuit adder modules may be:
 - DM-1008A Detection Circuit Adder Module
 - SGM-1004A Signal Circuit Adder Module
 - **RM-1008A Relay Circuit Adder Module**
 - FNC-2000 Network Controller Module
 - ALCN-792M and ALCN-792D Loop Adder Modules

Terminal and Jumper Locations

Figure 2: RM-1008A Relay Adder Module



- P2:** Data cable goes to P5 or P6 of the main fire alarm board, or to the loop controller module or to the previous adder modules.
- P1:** Data connector for next adder module.
- P4:** Power connector goes to P8 of main fire alarm board, or to the loop controller module, or to the previous adder module.
- P3:** Power connector for next adder module.
- JW1:** **If and only if** this module is the last in a chain of conventional adder modules, short this jumper. Otherwise this jumper must remain open.
- JP1-JP8:** Move jumpers from pins 1 and 2 to 2 and 3 to connect relay commons between two or more relays.



Note: Refer to operating manual of the Fire Alarm Panel for complete and specific details regarding mounting, function selection and wiring.