



QAZT-5302DS

Addressable Telephone and Paging Selector Panel Installation Instructions

Module Mounting Locations

The QAZT-5302DS Addressable Telephone and Paging Selector Panel mounts into various enclosures, refer to the associated fire alarm panel manual for detailed instruction.



Connector and Jumper Locations

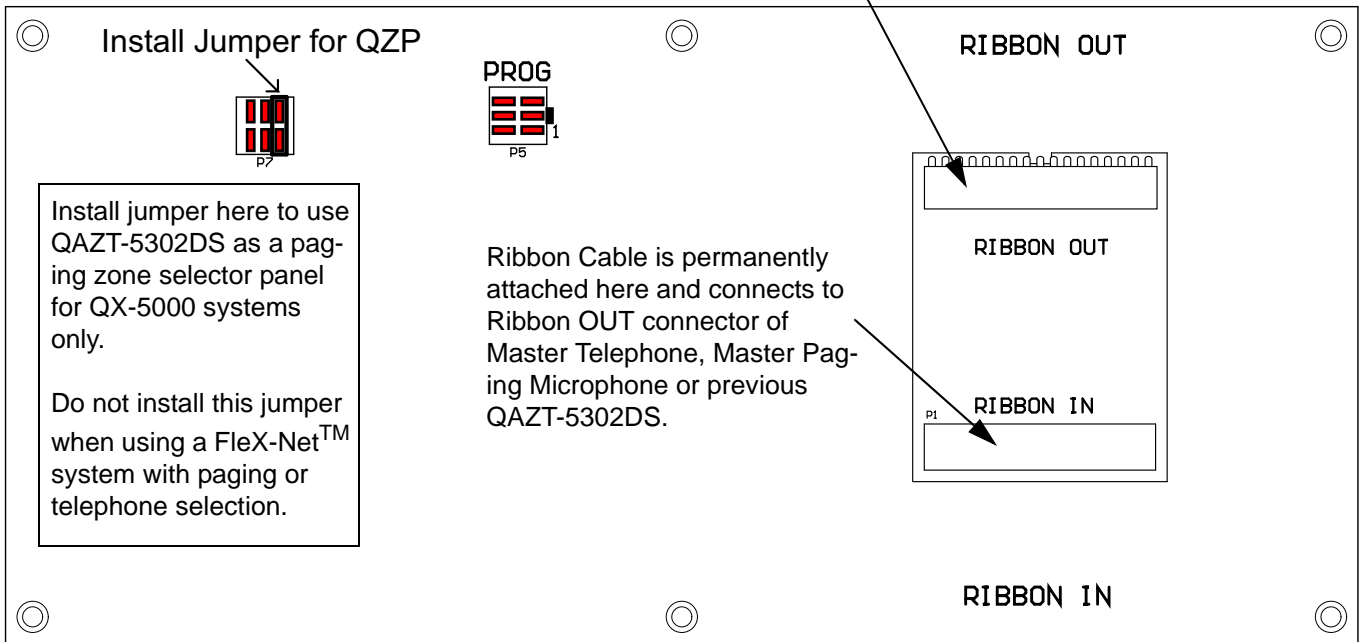
Refer to Figure 2 for connector and jumper locations. Table 1 below shows the cable connections required and jumper selection for optional panel operation.

Table 1: Connectors

QAZT-5302DS Connector and Terminals	Connects to
P1(RIBBON IN CABLE)	Master Telephone or Master Paging module
P2	Connects to P1 of the next QAZT-5302DS Addressable Telephone and Paging Selector Panel or next display module.
Jumper at P7	Place a jumper across pins on the far right side of P7, as marked on the board, to use the QAZT-5302DS as a paging zone selector panel.

Figure 2: QAZT-5302DS Addressable Telephone and Paging Selector Board

Ribbon Cable connects here on QAZT-5302DS and goes to the next QAZT-5302DS or display module Ribbon IN.



Operation

Individual telephone or paging zone selection is achieved from this panel (QAZT-5302DS). There is no wiring required from this panel. Each QAZT-5302DS annunciates and controls up to 24 telephone or paging zones. There is one button and two LEDs per zone. The lower amber LED indicates Zone trouble. The upper green LED indicates whether that zone is selected for telephone or paging communication via the Addressable Master Telephone Handset or Master Paging Microphone. Press the button to turn the selection for telephone and paging communication ON and OFF.