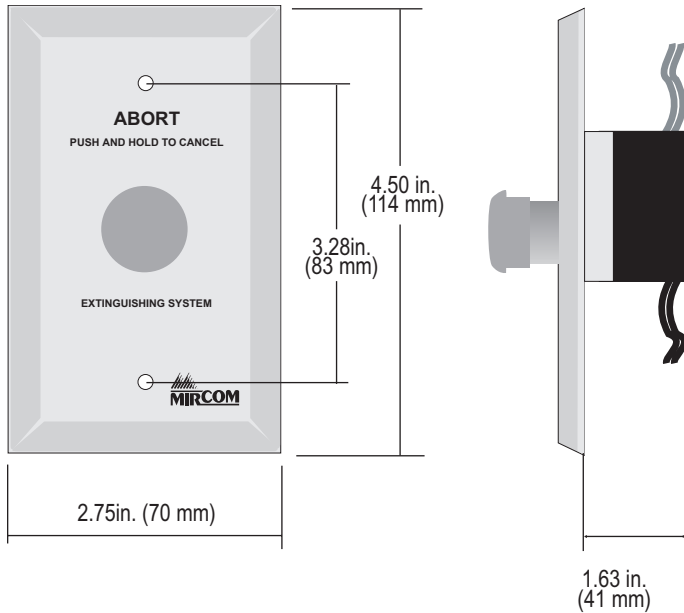


# ABS-320 Series Abort Switch

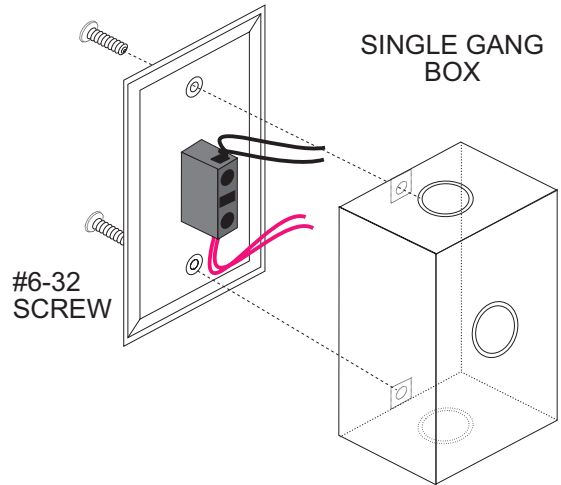
## Wiring and Installation Instructions

This document covers the dimensions, wiring, and installation instructions for the **ABS-320NL** and **ABS-320NLU**.

### Dimensions

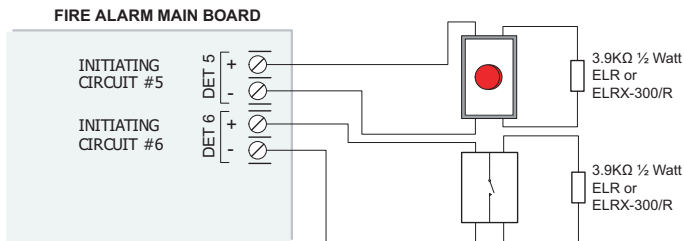


### Installation

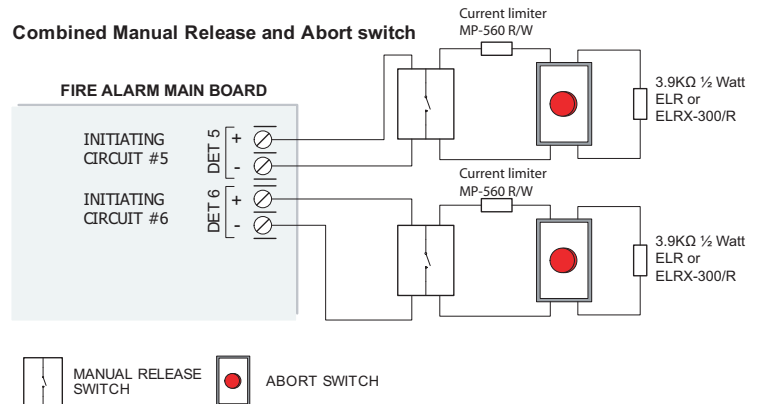


### Wiring

#### Abort and Manual Release switch on separate circuits



#### Combined Manual Release and Abort switch



### Specifications

Rated Voltage (contact block)	24 VDC
Rated current	0.4 A
Wire Gauge	24 to 16 AWG

#### Canada

25 Interchange Way  
Vaughan, Ontario L4K 5W3  
Telephone: (905) 660-4655  
Fax: (905) 660-4113

#### U.S.A.

60 Industrial Parkway PMB 278  
Cheektowaga, New York 14227  
Toll Free: (888) 660-4655  
Fax Toll Free: (888) 660-4113

