



MS-700(C)(UC) Series Special Application Manual Stations Installation Sheet

Mircom's MS-700(C)(UC) Series Special Application Manual Stations are high-quality, die-cast metal manual stations that are designed to meet special use requirements such as tornado alert, emergency notification, suppression release and local evacuation. The MS-700(C)(UC) Series is designed for indoor and outdoor use. Models are available in either single or dual action configurations with SPDT contacts and terminal strip connections. The contacts are gold plated to avoid the risk of corrosion. Optional colors include blue, green, yellow, and black.

Manual Station Label	Description	Manual Station Label	Description
Alarm	Notification of fire alarm	Emergency	Notification to emergency personnel
Open Door	Release door lock	Manual Release	Initiates release of fire alarm agent
Alert	General first stage alarm notification	Suppression Release	
Local Evacuation	Notification to evacuate a specific area	Extinguisher Release	
Tornado	Weather alert AFFF Release	Sprinkler Release	
Police	Notification to police Emergency Exit Identify emergency exit	AFFF Release	
Medical	Notification for medical attention	Evacuate	Notification to evacuate
Door Release	Releases door holders	HAZMAT (Hazardous Material)*	For use as an alert for hazardous material

Models

MS-703(C)(UC): Blue Single Action Manual Station c/w 2 Form "C" Contacts
MS-704(C)(UC): Yellow Single Action Manual Station c/w 2 Form "C" Contacts
MS-706(C)(UC): Green Single Action Manual Station c/w 2 Form "C" Contacts
MS-707(C)(UC): Black Single Action Manual Station c/w 2 Form "C" Contacts
MS-713(C)(UC): Blue Dual Action Manual Station c/w 2 Form "C" Contacts
MS-714(C)(UC): Yellow Dual Action Manual Station c/w 2 Form "C" Contacts
MS-716(C)(UC): Green Dual Action Manual Station c/w 2 Form "C" Contacts
MS-717(C)(UC): Black Dual Action Manual Station c/w 2 Form "C" Contacts

All manual fire alarm stations shall be installed as per the specific requirements outlined in the UL codes, as well as all other applicable national or local codes. Final acceptance is subject to the local authority having jurisdiction.

LT-957 Rev.3



MS-700(C)(UC) Series Special Application Manual Stations Installation Sheet

Mircom's MS-700(C)(UC) Series Special Application Manual Stations are high-quality, die-cast metal manual stations that are designed to meet special use requirements such as tornado alert, emergency notification, suppression release and local evacuation. The MS-700(C)(UC) Series is designed for indoor and outdoor use. Models are available in either single or dual action configurations with SPDT contacts and terminal strip connections. The contacts are gold plated to avoid the risk of corrosion. Optional colors include blue, green, yellow, and black.

Manual Station Label	Description	Manual Station Label	Description
Alarm	Notification of fire alarm	Emergency	Notification to emergency personnel
Open Door	Release door lock	Manual Release	Initiates release of fire alarm agent
Alert	General first stage alarm notification	Suppression Release	
Local Evacuation	Notification to evacuate a specific area	Extinguisher Release	
Tornado	Weather alert AFFF Release	Sprinkler Release	
Police	Notification to police Emergency Exit Identify emergency exit	AFFF Release	
Medical	Notification for medical attention	Evacuate	Notification to evacuate
Door Release	Releases door holders	HAZMAT (Hazardous Material)*	For use as an alert for hazardous material

Models

MS-703(C)(UC): Blue Single Action Manual Station c/w 2 Form "C" Contacts
MS-704(C)(UC): Yellow Single Action Manual Station c/w 2 Form "C" Contacts
MS-706(C)(UC): Green Single Action Manual Station c/w 2 Form "C" Contacts
MS-707(C)(UC): Black Single Action Manual Station c/w 2 Form "C" Contacts
MS-713(C)(UC): Blue Dual Action Manual Station c/w 2 Form "C" Contacts
MS-714(C)(UC): Yellow Dual Action Manual Station c/w 2 Form "C" Contacts
MS-716(C)(UC): Green Dual Action Manual Station c/w 2 Form "C" Contacts
MS-717(C)(UC): Black Dual Action Manual Station c/w 2 Form "C" Contacts

All manual fire alarm stations shall be installed as per the specific requirements outlined in the UL codes, as well as all other applicable national or local codes. Final acceptance is subject to the local authority having jurisdiction.

LT-957 Rev.3



MS-700(C)(UC) Series Special Application Manual Stations Installation Sheet

Mircom's MS-700(C)(UC) Series Special Application Manual Stations are high-quality, die-cast metal manual stations that are designed to meet special use requirements such as tornado alert, emergency notification, suppression release and local evacuation. The MS-700(C)(UC) Series is designed for indoor and outdoor use. Models are available in either single or dual action configurations with SPDT contacts and terminal strip connections. The contacts are gold plated to avoid the risk of corrosion. Optional colors include blue, green, yellow, and black.

Manual Station Label	Description	Manual Station Label	Description
Alarm	Notification of fire alarm	Emergency	Notification to emergency personnel
Open Door	Release door lock	Manual Release	Initiates release of fire alarm agent
Alert	General first stage alarm notification	Suppression Release	
Local Evacuation	Notification to evacuate a specific area	Extinguisher Release	
Tornado	Weather alert AFFF Release	Sprinkler Release	
Police	Notification to police Emergency Exit Identify emergency exit	AFFF Release	
Medical	Notification for medical attention	Evacuate	Notification to evacuate
Door Release	Releases door holders	HAZMAT (Hazardous Material)*	For use as an alert for hazardous material

Models

MS-703(C)(UC): Blue Single Action Manual Station c/w 2 Form "C" Contacts
MS-704(C)(UC): Yellow Single Action Manual Station c/w 2 Form "C" Contacts
MS-706(C)(UC): Green Single Action Manual Station c/w 2 Form "C" Contacts
MS-707(C)(UC): Black Single Action Manual Station c/w 2 Form "C" Contacts
MS-713(C)(UC): Blue Dual Action Manual Station c/w 2 Form "C" Contacts
MS-714(C)(UC): Yellow Dual Action Manual Station c/w 2 Form "C" Contacts
MS-716(C)(UC): Green Dual Action Manual Station c/w 2 Form "C" Contacts
MS-717(C)(UC): Black Dual Action Manual Station c/w 2 Form "C" Contacts

All manual fire alarm stations shall be installed as per the specific requirements outlined in the UL codes, as well as all other applicable national or local codes. Final acceptance is subject to the local authority having jurisdiction.

LT-957 Rev.3



MS-700(C)(UC) Series Special Application Manual Stations Installation Sheet

Mircom's MS-700(C)(UC) Series Special Application Manual Stations are high-quality, die-cast metal manual stations that are designed to meet special use requirements such as tornado alert, emergency notification, suppression release and local evacuation. The MS-700(C)(UC) Series is designed for indoor and outdoor use. Models are available in either single or dual action configurations with SPDT contacts and terminal strip connections. The contacts are gold plated to avoid the risk of corrosion. Optional colors include blue, green, yellow, and black.

Manual Station Label	Description	Manual Station Label	Description
Alarm	Notification of fire alarm	Emergency	Notification to emergency personnel
Open Door	Release door lock	Manual Release	Initiates release of fire alarm agent
Alert	General first stage alarm notification	Suppression Release	
Local Evacuation	Notification to evacuate a specific area	Extinguisher Release	
Tornado	Weather alert AFFF Release	Sprinkler Release	
Police	Notification to police Emergency Exit Identify emergency exit	AFFF Release	
Medical	Notification for medical attention	Evacuate	Notification to evacuate
Door Release	Releases door holders	HAZMAT (Hazardous Material)*	For use as an alert for hazardous material

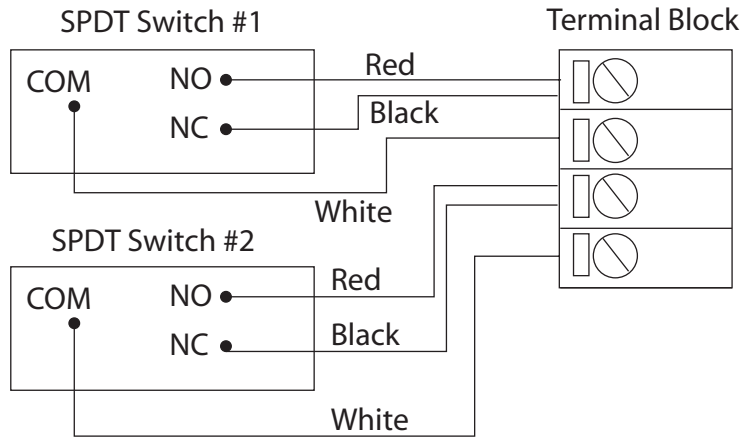
Models

MS-703(C)(UC): Blue Single Action Manual Station c/w 2 Form "C" Contacts
MS-704(C)(UC): Yellow Single Action Manual Station c/w 2 Form "C" Contacts
MS-706(C)(UC): Green Single Action Manual Station c/w 2 Form "C" Contacts
MS-707(C)(UC): Black Single Action Manual Station c/w 2 Form "C" Contacts
MS-713(C)(UC): Blue Dual Action Manual Station c/w 2 Form "C" Contacts
MS-714(C)(UC): Yellow Dual Action Manual Station c/w 2 Form "C" Contacts
MS-716(C)(UC): Green Dual Action Manual Station c/w 2 Form "C" Contacts
MS-717(C)(UC): Black Dual Action Manual Station c/w 2 Form "C" Contacts

All manual fire alarm stations shall be installed as per the specific requirements outlined in the UL codes, as well as all other applicable national or local codes. Final acceptance is subject to the local authority having jurisdiction.

LT-957 Rev.3

Wiring



Specifications

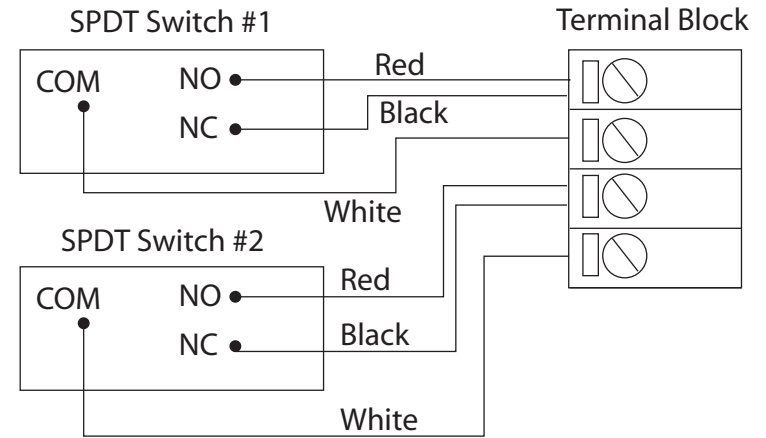
Switch Rating: 1 Amp @ 30 VDC
0.1 Amp @ 120VAC
Manual Station Dimensions: 4.9" H x 3.5" W x 2.0" D
Surface-Mount Backbox Dimensions: 5" H x 3.6" W x 2.0" D

Notes:

1. Wire as shown so that supervision of connections is maintained.
2. Maximum size: No. 12 AWG.
3. For Normally Open operation, cut the NC wire.
4. For Normally Closed operation, cut the NO wire.
5. The suffix "U" denotes USA version.
6. *The HAZMAT manual station is not for use in hazardous locations.

LT-957 Rev.3

Wiring



Specifications

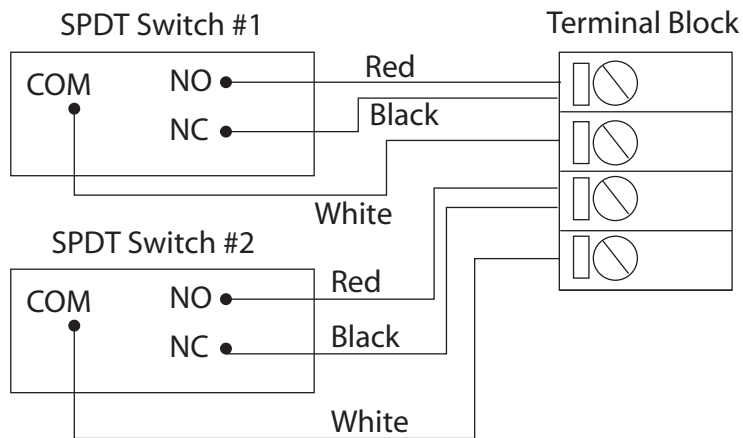
Switch Rating: 1 Amp @ 30 VDC
0.1 Amp @ 120VAC
Manual Station Dimensions: 4.9" H x 3.5" W x 2.0" D
Surface-Mount Backbox Dimensions: 5" H x 3.6" W x 2.0" D

Notes:

1. Wire as shown so that supervision of connections is maintained.
2. Maximum size: No. 12 AWG.
3. For Normally Open operation, cut the NC wire.
4. For Normally Closed operation, cut the NO wire.
5. The suffix "U" denotes USA version.
6. *The HAZMAT manual station is not for use in hazardous locations.

LT-957 Rev.3

Wiring



Specifications

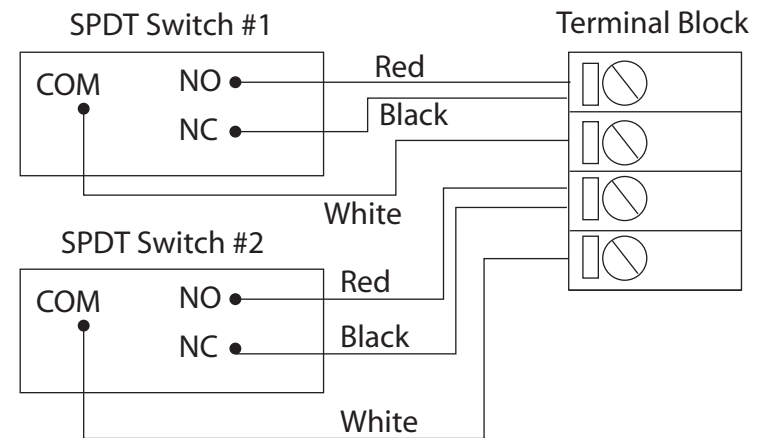
Switch Rating: 1 Amp @ 30 VDC
0.1 Amp @ 120VAC
Manual Station Dimensions: 4.9" H x 3.5" W x 2.0" D
Surface-Mount Backbox Dimensions: 5" H x 3.6" W x 2.0" D

Notes:

1. Wire as shown so that supervision of connections is maintained.
2. Maximum size: No. 12 AWG.
3. For Normally Open operation, cut the NC wire.
4. For Normally Closed operation, cut the NO wire.
5. The suffix "U" denotes USA version.
6. *The HAZMAT manual station is not for use in hazardous locations.

LT-957 Rev.3

Wiring



Specifications

Switch Rating: 1 Amp @ 30 VDC
0.1 Amp @ 120VAC
Manual Station Dimensions: 4.9" H x 3.5" W x 2.0" D
Surface-Mount Backbox Dimensions: 5" H x 3.6" W x 2.0" D

Notes:

1. Wire as shown so that supervision of connections is maintained.
2. Maximum size: No. 12 AWG.
3. For Normally Open operation, cut the NC wire.
4. For Normally Closed operation, cut the NO wire.
5. The suffix "U" denotes USA version.
6. *The HAZMAT manual station is not for use in hazardous locations.

LT-957 Rev.3