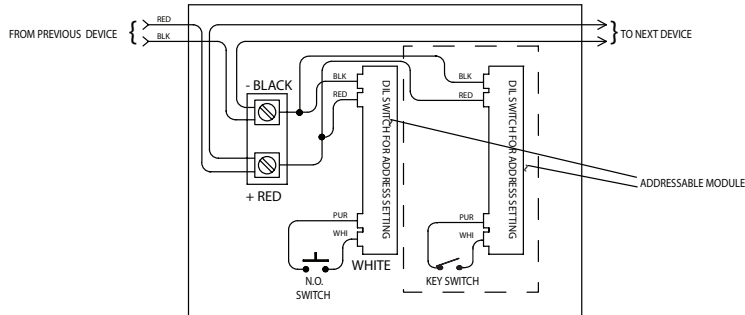


Mircom MS-400ID Series Addressable Manual Stations Installation Sheet

Mircom's MS-400ID series provide manual fire reporting. These high quality, aluminum Intelligent Fire Alarm Manual Stations are available as a single device with key resets with a permanently attached addressable module. The addressable manual station has DIL switches which allow for address setting. Pulling the handle initiates the operation of the addressable module.

MS-401ID AND MS-402ID Wiring



- Notes:**
1. Area within dashed lines are applicable for MS-402ID only
 2. This unit is compatible with Mircom FX-350 series of panels.
 3. Wire as shown so that supervision of connections is maintained.
 - *4. Mount station to 4" square x 1 1/2" deep outlet box with adaptor plate or to a 4" x 2 1/2" single gang outlet box.
 5. Maximum size: No. 12 AWG.
 6. Switches shown in the Station Closed position
- * Iberville product number 52151K, 53151K, BC52-C-0.

Models

- MS-401ID:** Single Stage Manual Station
- MS-402ID:** Two Stage Manual Station

All manual fire alarm stations shall be installed as per the specific requirements outlined in the UL/ULC codes, as well as all other applicable national or local codes. Final acceptance is subject to the local authority having jurisdiction.

LT-960 Rev.2

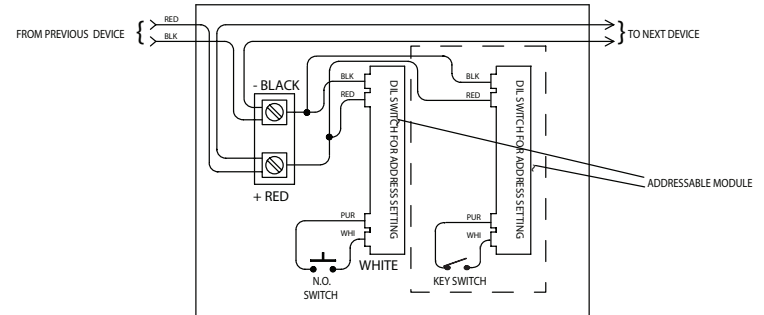
Specifications

- Switch Rating:** 1 Amp @ 30 VDC
0.1 Amp @ 120VAC
- Manual Station:** 4.5" H x 3.5" W x 2.5" D

Mircom MS-400ID Series Addressable Manual Stations Installation Sheet

Mircom's MS-400ID series provide manual fire reporting. These high quality, aluminum Intelligent Fire Alarm Manual Stations are available as a single device with key resets with a permanently attached addressable module. The addressable manual station has DIL switches which allow for address setting. Pulling the handle initiates the operation of the addressable module.

MS-401ID AND MS-402ID Wiring



- Notes:**
1. Area within dashed lines are applicable for MS-402ID only
 2. This unit is compatible with Mircom FX-350 series of panels.
 3. Wire as shown so that supervision of connections is maintained.
 - *4. Mount station to 4" square x 1 1/2" deep outlet box with adaptor plate or to a 4" x 2 1/2" single gang outlet box.
 5. Maximum size: No. 12 AWG.
 6. Switches shown in the Station Closed position
- * Iberville product number 52151K, 53151K, BC52-C-0.

Models

- MS-401ID:** Single Stage Manual Station
- MS-402ID:** Two Stage Manual Station

All manual fire alarm stations shall be installed as per the specific requirements outlined in the UL/ULC codes, as well as all other applicable national or local codes. Final acceptance is subject to the local authority having jurisdiction.

LT-960 Rev.2

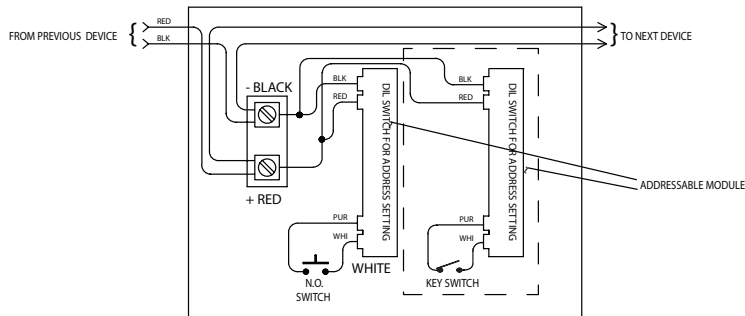
Specifications

- Switch Rating:** 1 Amp @ 30 VDC
0.1 Amp @ 120VAC
- Manual Station:** 4.5" H x 3.5" W x 2.5" D

Mircom MS-400ID Series Addressable Manual Stations Installation Sheet

Mircom's MS-400ID series provide manual fire reporting. These high quality, aluminum Intelligent Fire Alarm Manual Stations are available as a single device with key resets with a permanently attached addressable module. The addressable manual station has DIL switches which allow for address setting. Pulling the handle initiates the operation of the addressable module.

MS-401ID AND MS-402ID Wiring



- Notes:**
1. Area within dashed lines are applicable for MS-402ID only
 2. This unit is compatible with Mircom FX-350 series of panels.
 3. Wire as shown so that supervision of connections is maintained.
 - *4. Mount station to 4" square x 1 1/2" deep outlet box with adaptor plate or to a 4" x 2 1/2" single gang outlet box.
 5. Maximum size: No. 12 AWG.
 6. Switches shown in the Station Closed position
- * Iberville product number 52151K, 53151K, BC52-C-0.

Models

- MS-401ID:** Single Stage Manual Station
- MS-402ID:** Two Stage Manual Station

All manual fire alarm stations shall be installed as per the specific requirements outlined in the UL/ULC codes, as well as all other applicable national or local codes. Final acceptance is subject to the local authority having jurisdiction.

LT-960 Rev.2

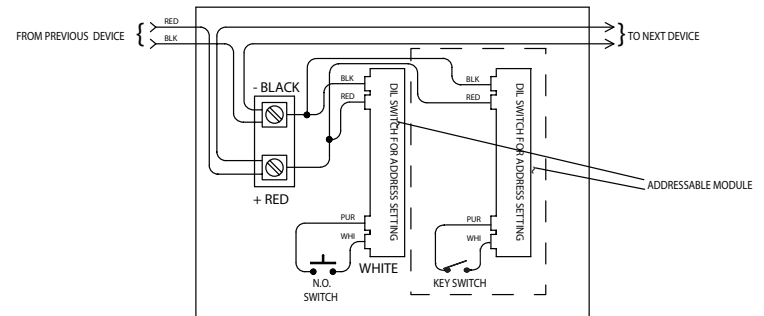
Specifications

- Switch Rating:** 1 Amp @ 30 VDC
0.1 Amp @ 120VAC
- Manual Station:** 4.5" H x 3.5" W x 2.5" D

Mircom MS-400ID Series Addressable Manual Stations Installation Sheet

Mircom's MS-400ID series provide manual fire reporting. These high quality, aluminum Intelligent Fire Alarm Manual Stations are available as a single device with key resets with a permanently attached addressable module. The addressable manual station has DIL switches which allow for address setting. Pulling the handle initiates the operation of the addressable module.

MS-401ID AND MS-402ID Wiring



- Notes:**
1. Area within dashed lines are applicable for MS-402ID only
 2. This unit is compatible with Mircom FX-350 series of panels.
 3. Wire as shown so that supervision of connections is maintained.
 - *4. Mount station to 4" square x 1 1/2" deep outlet box with adaptor plate or to a 4" x 2 1/2" single gang outlet box.
 5. Maximum size: No. 12 AWG.
 6. Switches shown in the Station Closed position
- * Iberville product number 52151K, 53151K, BC52-C-0.

Models

- MS-401ID:** Single Stage Manual Station
- MS-402ID:** Two Stage Manual Station

All manual fire alarm stations shall be installed as per the specific requirements outlined in the UL/ULC codes, as well as all other applicable national or local codes. Final acceptance is subject to the local authority having jurisdiction.

LT-960 Rev.2

Specifications

- Switch Rating:** 1 Amp @ 30 VDC
0.1 Amp @ 120VAC
- Manual Station:** 4.5" H x 3.5" W x 2.5" D

