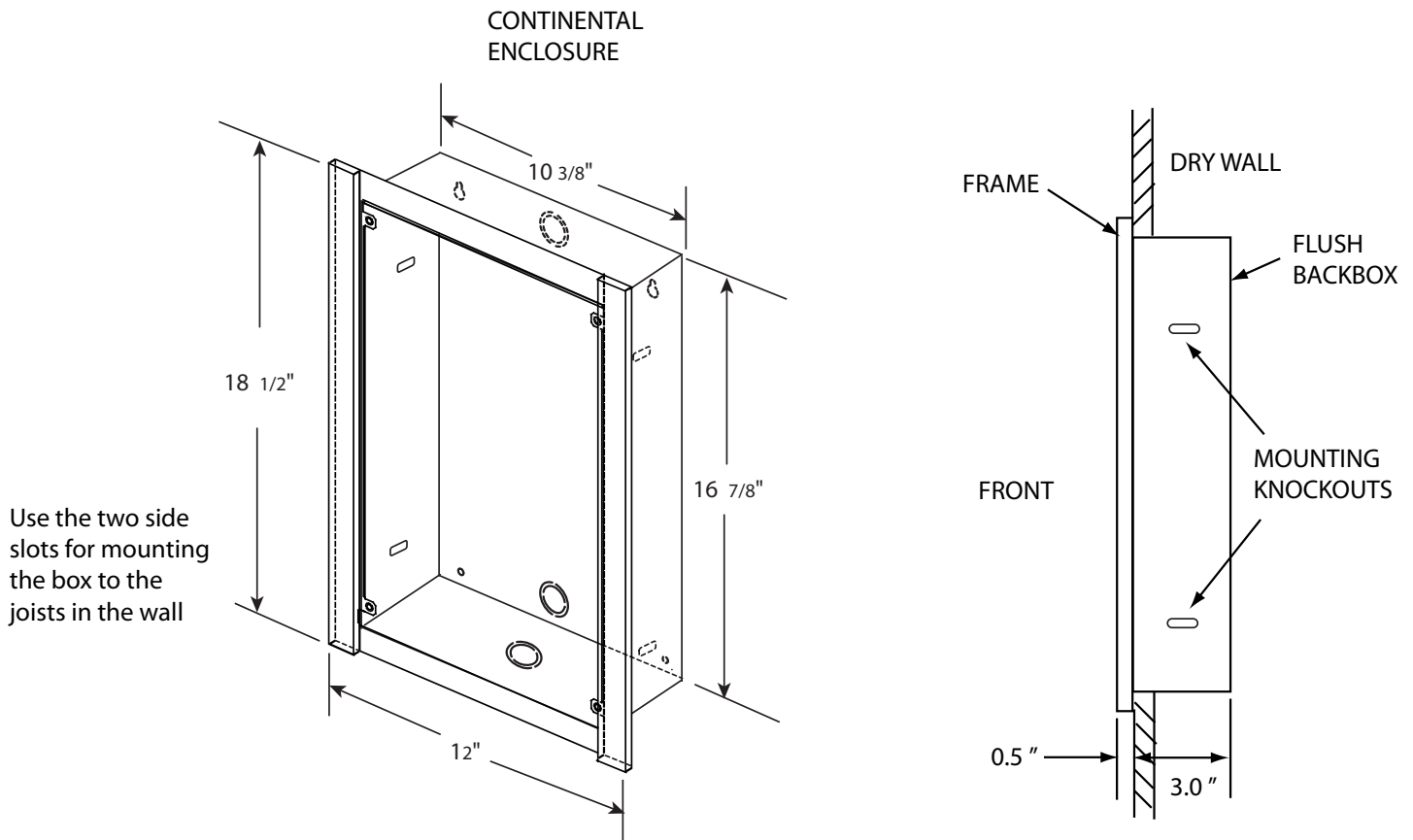


TX3 Continental Series Enclosure Flush Mounting Installation Instructions

Enclosure Mounting

The TX3 Continental Series flush mounting entry panels are installed as outlined below.

Figure 1: TX3 Continental Enclosure Flush Mounting



The Continental Enclosure is flush mounted only
Cut out in wall should be :
16 7/8" H x 10 3/8" W x 3" D

Outside Frame dimensions are:
18 1/2"H x 12"W x 1/2" D

Installation Instructions for Flush Mounting the Continental Entry Enclosures

1. Cut out wall as per dimensions in diagram above.
2. Fit the continental lobby enclosure into the cut out space and secure it to the wall stud using the two slots, can be mounted left or right.