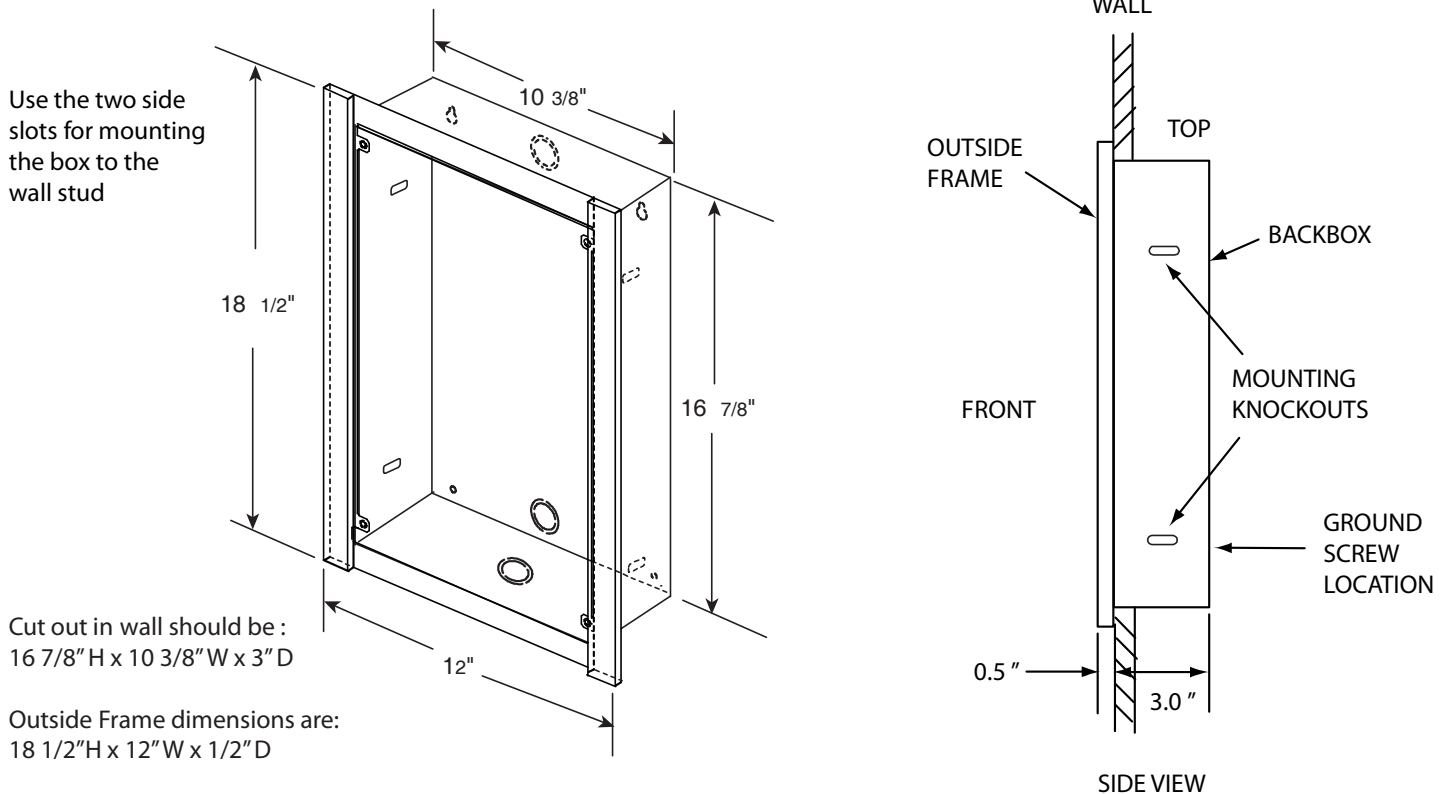


## Continental Enclosure Installation Instructions

The Continental enclosure flush mounts directly inside the wall to the wall stud as shown in the following figure. Mount the back box flush with the wall and right-side up (the ground screw location is at the bottom). The back box may be mounted without the outside frame.



The Continental enclosure back box must be flush mounted with wall

### To install the Continental enclosure

1. Find a suitable location for the Continental enclosure beside a wall stud.
2. Using the enclosure as a template, trace an opening in the wall for the cut out with one side aligned with the side of the wall stud.
3. Cut an opening in the wall ensuring that one side is aligned with the wall stud.
4. Insert the enclosure into the wall cutout and using the enclosure as a template, mark the top mounting hole location as shown in the side view. Ensure that at least one side is beside a wall stud.
5. Remove the enclosure and place the screw halfway into the wall into the marked hole location using the supplied screw.
6. Place the enclosure onto the top screw.
7. Screw the lower two screw at the bottom of the trim ring halfway into the wall.
8. Tighten the two screws into place.